

# STBPDT3100K

standard power distribution kit STB - 24 V DC



## Main

Range of product	Modicon STB distributed I/O solution
Product or component type	Standard power distribution kit

## Complementary

Kit composition	STBPDT2100 module STBXBA2200 base STBXTS1130, screw type connectors STBXTS2130, spring type connectors
[Us] rated supply voltage	24 V
Supply circuit type	DC
Power supply output current	<= 10 A 45 °C input/output circuit <= 12 A 30 °C input/output circuit <= 6 A 70 °C input/output circuit <= 8 A 60 °C input/output circuit 0...4 A 30 °C input circuit 0...8 A 30 °C output circuit
Voltage range	19.2...30 V DC sensor/actuator bus
Hot swapping fallback	Hot swapping illegal
Protection type	Built-in overcurrent protection 10 A time-lag output circuit Built-in overcurrent protection 5 A time-lag input circuit Reverse polarity actuator bus
Permissible current	30 A for 2 minutes grounding terminal
Voltage detection threshold	< 15 V +/-1 DC IN/OUT LED lit >= 15 V +/-1 DC IN/OUT LED non lit
Product compatibility	Mounting base STBXBA2200
Marking	CE
Overvoltage category	II
Status LED	1 LED green actuator bus power supply (OUT) 1 LED green sensor bus power supply (IN)
Depth	65.1 mm
Height	18.4 mm
Width	125 mm
Product weight	0.13 kg

## Environment

product certifications	CSA FM Class 1 Division 2 UL
pollution degree	2 IEC 60664-1
operating altitude	<= 2000 m
IP degree of protection	IP20 EN 61131-2 class 1

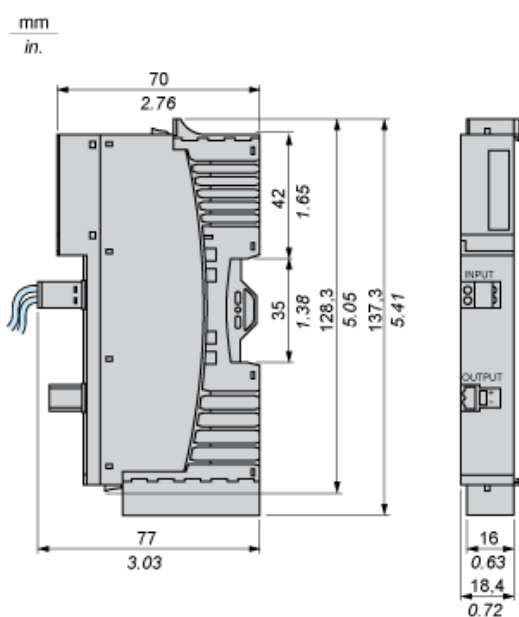
The information provided in this documentation contains general descriptions and/or technical characteristics of the products contained herein. This documentation is not intended as a substitute for and is not to be used for determining suitability or reliability of these products for specific user applications. It is the duty of any such user or integrator to perform the appropriate and complete risk analysis, evaluation and testing of the products with respect to the relevant specific application or use thereof. Neither Schneider Electric Industries SAS nor any of its affiliates or subsidiaries shall be responsible or liable for misuse of the information contained herein.

ambient air temperature for operation	0...60 °C without derating -25...70 °C with derating factor
ambient air temperature for storage	-40...85 °C
relative humidity	95 % 60 °C without condensation
vibration resistance	+/-0.35 mm 10...58 Hz 3 gn 58...150 Hz 35 x 7.5 mm symmetrical DIN rail 5 gn 58...150 Hz 35 x 15 mm symmetrical DIN rail
shock resistance	30 gn 11 ms IEC 88 reference 2-27

## Offer Sustainability

Sustainable offer status	Green Premium product
RoHS (date code: YYWW)	Compliant - since 0903 - Schneider Electric declaration of conformity
REACH	Reference contains SVHC above the threshold
Product environmental profile	Available
Product end of life instructions	Available

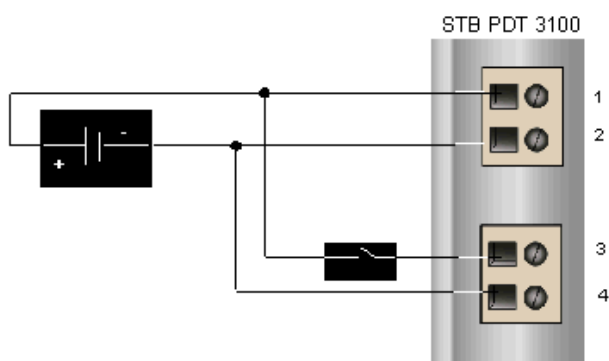
## Dimensions



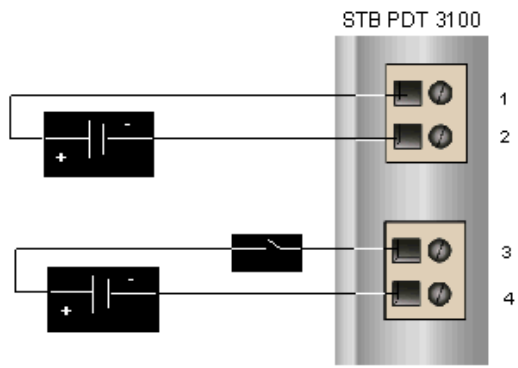
## Wiring Diagrams

### Examples

Single power supply



Separated power supplies



Pin	Top Connector	Bottom Connector
1	+24 VDC for the sensor bus	+24 VDC for the sensor bus
2	-24 VDC sensor power return	-24 VDC actuator power return

### Performance Curve

