

4P BHR Dead Front Interlocked Receptacles with Factory Sealed Switch

BHP Plugs

Cl. I, Div. 1 and 2, Groups B, C, D
 Cl. II, Div. 1 and 2, Groups F, G
 Cl. III
 NEMA 3, 4, 7BCD, 9FG, 12
 Explosionproof

Dust-Ignitionproof
 Raintight
 Wet Locations

Applications:

- BHR dead front interlocked receptacles and switches with BHP plugs are used:
- To supply power to portable electrical equipment such as motor-generator sets, compressors, heating and cooling units, lighting systems, conveyors, and similar equipment
 - Primarily in areas which are hazardous due to the presence of hydrogen or gases, or vapors of equivalent hazard such as manufactured gas
 - In damp, wet, or corrosive locations
 - Indoors or outdoors in hydrogen areas of process industries, missile bases where hydrogen fuel is used, and gas manufacturing plants

Features:

- BHR receptacles feature a built-in rotary switch which is operated automatically when the plug is inserted and withdrawn. The switch, capable of making and breaking the circuit at full rated load, is operated by a helical blade in the center of the plug
- The plug and receptacle contacts cannot be made or broken under load. When the plug is inserted, the plug and receptacle contacts engage before the switch closes. When the plug is withdrawn, the switch opens before the plug and receptacle contacts disengage. This sequence of operation provides maximum safety in a dead front receptacle. Arcing is isolated in a flame and dust-tight chamber
- Operation is simple, safe and positive. To disconnect the portable device, the plug fastening ring is unscrewed and the plug simply pulled straight out. No separate interlock device or operating handle need be actuated
- Positive engagement without mismatching is assured by a distinct physical polarization of the plug and receptacle in every rating
- Plugs are furnished with pressure terminations. Receptacles are furnished with flexible leads for splicing to the supply conductors. A large threaded cover provides access to the wiring compartment
- As shown in the listings, assemblies are available for top, bottom or through feed conduit arrangements in 3/4" to 2" sizes

Certifications and Compliances:

- Class I, Division 1 and 2, Groups B, C, D
- Class II, Division 1 and 2, Groups F, G
- Class III
- NEMA: 3, 4, 7BCD, 9FG, 12
- ANSI/UL Standard: 1010

Standard Materials:

- Receptacle housings – copper-free aluminum
- Seals – malleable iron
- Plug exteriors – copper-free aluminum
- Insulation – high impact glass filled phenolic
- Contacts – brass

Standard Finishes:

- Copper-free aluminum – natural
- Malleable iron – electrogalvanized and aluminum lacquer
- Phenolic – natural (black)
- Brass – silver plated

Options:

- Special polarity – where two or more receptacles of the same ampere rating and number of poles are to be installed in the same areas for use on different voltages, alternate polarizations can be furnished. Details on request.

Electrical Rating Ranges:

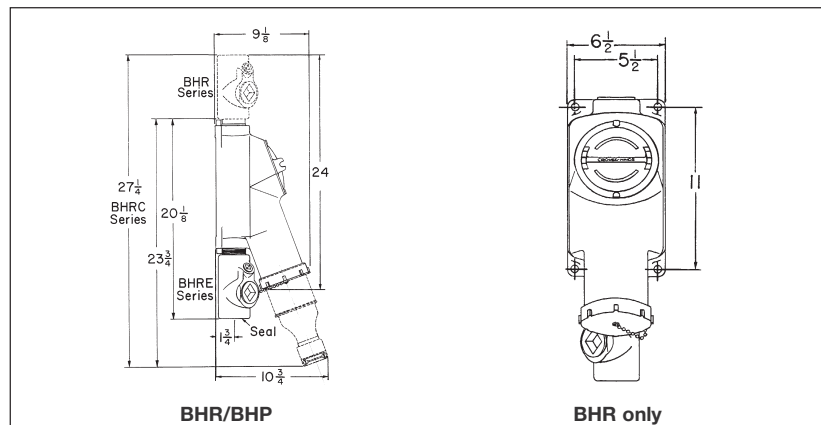
- 30, 60 and 100 amperes, 480VAC

Grounding:

- BHR receptacles and BHP plugs are provided with an extra grounding pole. In plugs, provision is made for attachment of the grounding wire to the grounding pole. In addition, direct connection is provided between the plug and receptacle housings and the grounding pole. In the receptacle, grounding is accomplished through the conduit system

CAUTION: To reduce the risk of ignition of hazardous atmospheres, do not use plugs or receptacles in Class II, Group F locations that contain electrically conductive dusts.

Dimensions In Inches:



BHR/BHP in use.



BHR/BHP separated showing helical driver.

BHR Dead Front Interlocked Receptacles with Factory Sealed Switch

Cl. I, Div. 1 and 2, Groups B, C, D
 Cl. II, Div. 1 and 2, Groups F, G
 Cl. III
 NEMA 3, 4, 7BCD, 9FG, 12

Explosionproof
 Dust-Ignitionproof
 Raintight
 Wet Locations

4P

BHP Plugs, 480 VAC, 60–400 hertz

Receptacles

Receptacles are supplied ready to install with a threaded cap. Through feed hubs are standard. Sealing fittings, nipples and closure plugs ordered separately depending on application. Receptacles can be configured for Top Feed, Bottom feed or Through feed.

Amps	Config.	Hub Size (In.)	Cat. #
30	2-wire, 3-pole	3/4	BHRC3382N
	2-wire, 3-pole	1	BHRC3383N
	3-wire, 4-pole	3/4	BHRC3482D
	3-wire, 4-pole	1	BHRC3483D
	4-wire, 5-pole	1	BHRC3583 NW
	4-wire, 5-pole	1 1/4	BHRC3584 NW
60	2-wire, 3-pole	1 1/4	BHRC6384N
	2-wire, 3-pole	1 1/2	BHRC6385N
	3-wire, 4-pole	1 1/4	BHRC6484D
	3-wire, 4-pole	1 1/2	BHRC6485D
	4-wire, 5-pole	1 1/4	BHRC6584 NW
	4-wire, 5-pole	1 1/2	BHRC6585 NW
100	2-wire, 3-pole	1 1/4	BHRC10384N
	2-wire, 3-pole	1 1/2	BHRC10385N
	3-wire, 4-pole	1 1/2	BHRC10485D
	3-wire, 4-pole	2	BHRC10486D
	4-wire, 5-pole	1 1/2	BHRC10585 NW
	4-wire, 5-pole	2	BHRC10586 NW



Plugs

Plugs mate to BHR receptacles. Plugs are supplied with threaded locking ring that threads onto receptacle housing for secure connection and environmental seal. Mechanical external cord grip and neoprene bushing provided for secure cord retention and environmental seal.

Amps	Config.	Cable Dia.	Cat. #
30	2-wire, 3-pole	.500 - .875	BHP3383N
	2-wire, 3-pole	.875 - 1.375	BHP3385N
	3-wire, 4-pole	.500 - .875	BHP3483D
	3-wire, 4-pole	.875 - 1.375	BHP3485D
	4-wire, 5-pole	.500 - .875	BHP3583 NW
	4-wire, 5-pole	.875 - 1.375	BHP3585 NW
60	2-wire, 3-pole	.500 - .875	BHP6383N
	2-wire, 3-pole	.875 - 1.375	BHP6385N
	3-wire, 4-pole	.500 - .875	BHP6483D
	3-wire, 4-pole	.875 - 1.375	BHP6485D
	4-wire, 5-pole	.875 - 1.375	BHP6585 NW
	4-wire, 5-pole	1.375 - 1.875	BHP6587 NW
100	2-wire, 3-pole	.875 - 1.375	BHP10385N
	2-wire, 3-pole	1.375 - 1.875	BHP10387N
	3-wire, 4-pole	.875 - 1.375	BHP10485D
	3-wire, 4-pole	1.375 - 1.875	BHP10487D
	4-wire, 5-pole	.875 - 1.375	BHP10585 NW
	4-wire, 5-pole	1.375 - 1.875	BHP10587 NW

