

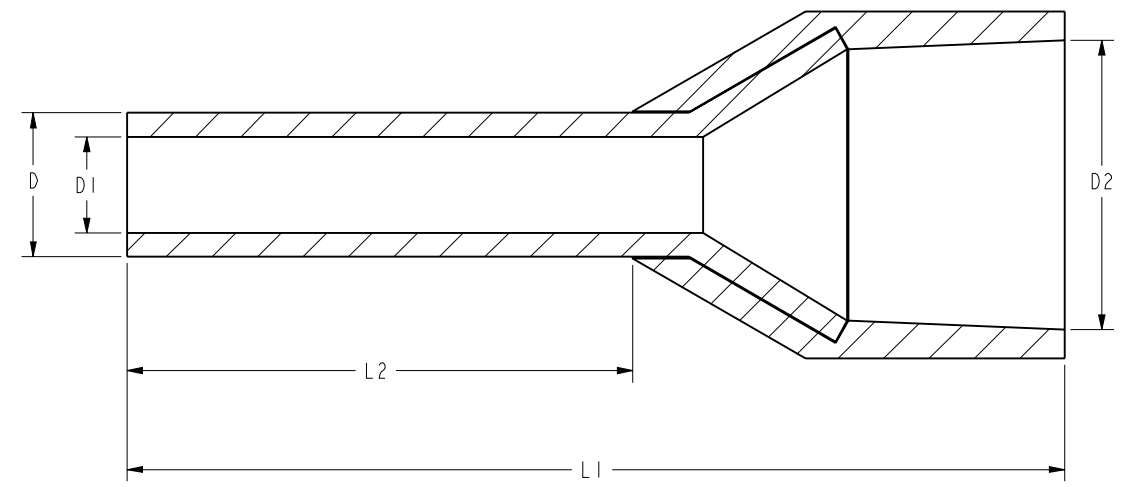
D

C

B

A

BURNDY Catalog Number	Color Code	7		6		5		4		Tool
		mm ²	AWG	L1 inch [mm]	L2 inch [mm]	D inch [mm]	D1 inch [mm]	D2 inch [mm]		
YF28061W	GRAY	0.14	26-28	.409 [10.4]	.236 [6.0]	.035 [.9]	.023 [.6]	.059 [1.5]	YF3206TOOL	
YF28081W		0.14	26-28	.488 [12.4]	.315 [8.0]	.035 [.9]	.023 [.6]	.059 [1.5]		
YF26061W	LT BLUE	0.25	24-26	.409 [10.4]	.236 [6.0]	.043 [1.1]	.031 [.8]	.075 [1.9]	YF2610TOOL OR YF3206TOOL	
YF26081W		0.25	24-26	.488 [12.4]	.315 [8.0]	.043 [1.1]	.031 [.8]	.075 [1.9]		
YF24061W	TURQUOISE	0.34	22-24	.409 [10.4]	.236 [6.0]	.045 [1.1]	.033 [.85]	.079 [2.0]	YF2610TOOL OR YF3206TOOL	
YF24081W		0.34	22-24	.488 [12.4]	.315 [8.0]	.045 [1.1]	.033 [.85]	.079 [2.0]		
YF22051W	ORANGE	0.5	22	.433 [11.0]	.197 [5.0]	.051 [1.3]	.039 [1.0]	.102 [2.6]	YF2610TOOL OR YF2210TOOL OR YF2210FL OR YF3206TOOL	
YF22061W		0.5	22	.472 [12.0]	.236 [6.0]	.051 [1.3]	.039 [1.0]	.102 [2.6]		
YF22081W		0.5	22	.551 [14.0]	.315 [8.0]	.051 [1.3]	.039 [1.0]	.102 [2.6]		
YF22101W		0.5	22	.630 [16.0]	.394 [10.0]	.051 [1.3]	.039 [1.0]	.102 [2.6]		
YF22121W		0.5	22	.709 [18.0]	.472 [12.0]	.051 [1.3]	.039 [1.0]	.102 [2.6]		
YF20061W		WHITE	0.75	20	.472 [12.0]	.236 [6.0]	.059 [1.5]	.047 [1.2]		.11 [2.8]
YF20081W	0.75		20	.551 [14.0]	.315 [8.0]	.059 [1.5]	.047 [1.2]	.11 [2.8]		
YF20101W	0.75		20	.630 [16.0]	.394 [10.0]	.059 [1.5]	.047 [1.2]	.11 [2.8]		
YF20121W	0.75		20	.709 [18.0]	.472 [12.0]	.059 [1.5]	.047 [1.2]	.11 [2.8]		
YF20181W	0.75		20	.945 [24.0]	.709 [18.0]	.059 [1.5]	.047 [1.2]	.11 [2.8]		
YF18061W	YELLOW		1	18	.472 [12.0]	.236 [6.0]	.067 [1.7]	.055 [1.4]	.11 [2.8]	
YF18081W		1	18	.551 [14.0]	.315 [8.0]	.067 [1.7]	.055 [1.4]	.11 [2.8]		
YF18101W		1	18	.630 [16.0]	.394 [10.0]	.067 [1.7]	.055 [1.4]	.11 [2.8]		
YF18121W		1	18	.709 [18.0]	.472 [12.0]	.067 [1.7]	.055 [1.4]	.11 [2.8]		
YF18181W		1	18	.945 [24.0]	.709 [18.0]	.067 [1.7]	.055 [1.4]	.11 [2.8]		
YF16061W		RED	1.5	16	.472 [12.0]	.236 [6.0]	.079 [2.0]	.067 [1.7]	.138 [3.5]	
YF16081W	1.5		16	.551 [14.0]	.315 [8.0]	.079 [2.0]	.067 [1.7]	.138 [3.5]		
YF16101W	1.5		16	.630 [16.0]	.394 [10.0]	.079 [2.0]	.067 [1.7]	.138 [3.5]		
YF16121W	1.5		16	.709 [18.0]	.472 [12.0]	.079 [2.0]	.067 [1.7]	.138 [3.5]		
YF16151W	1.5		16	.945 [24.0]	.709 [18.0]	.079 [2.0]	.067 [1.7]	.138 [3.5]		
YF16181W	1.5		16	1.06 [27.0]	.591 [15.0]	.079 [2.0]	.067 [1.7]	.138 [3.5]		



D

C

B

A

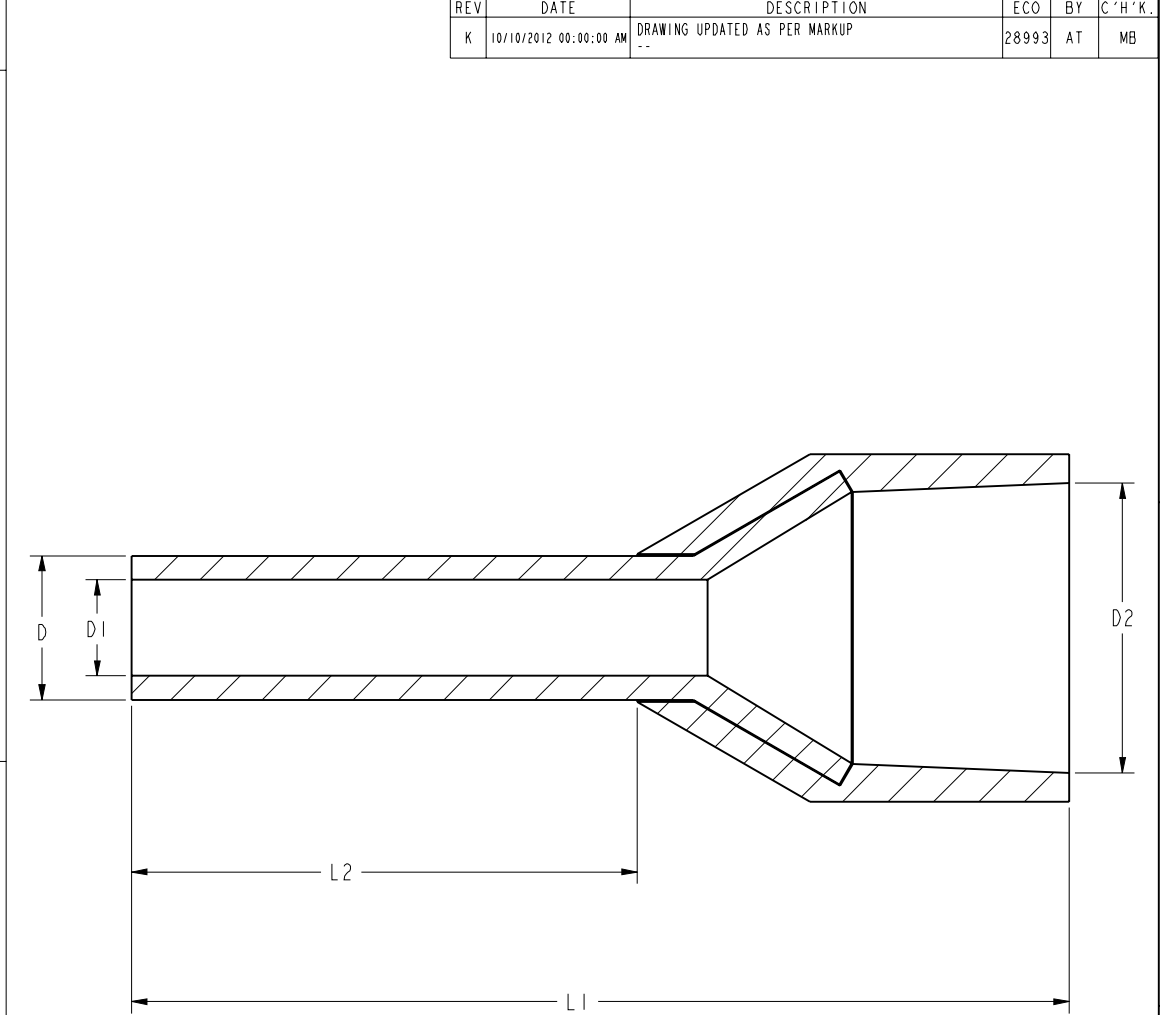
REV	DATE	DESCRIPTION	ECO	BY	C'H'K.
K	10/10/2012 00:00:00 AM	DRAWING UPDATED AS PER MARKUP	28993	AT	MB

- NOTES:
- MATERIAL: COPPER.
 - FINISH: TIN PLATED.
 - DIMENSIONS IN [] BRACKETS ARE IN MILLIMETERS, ROUNDED OFF TO THE NEAREST MILLIMETER, UNLESS OTHERWISE NOTED. METRIC DIMENSIONS ARE FOR REFERENCE ONLY.

TO ORDER BURNDY® PRODUCTS CALL		INSULATED FERRULE	
UNITED STATES		ITEM NO:	N/A
1-800-346-4175 (LONDONDERRY, NH)		CAT. NO:	SEE TABLE
CANADA:		DRAWN BY:	P. RAJESH 03/27/09
1-800-387-6487 (ALL OTHER PROVINCES)		CHECKER:	K. BOUTIN 03/28/09
FOR PRODUCT INFO: http://www.burndy.com		DSN APPVL:	K. BOUTIN 04/08/09
		MFG APPVL:	--
		GA APPVL:	J. BRODUE 04/08/09
		MKT APPVL:	R. CAVANAUGH 04/06/09
		PROD FAM:	CM&R Compression
		PROJECT #:	--
		DOCUMENT TYPE:	Sales
		REL LEVEL:	Released
		SCALE:	NTS
		DRAWING NO:	10099178
		SHEET:	1 OF 9
		REV:	K

REV: PE0200

BURNDY Catalog Number	Color Code	7		6		5		4		Tool
		mm ²	AWG	L1 inch [mm]	L2 inch [mm]	D inch [mm]	DI inch [mm]	D2 inch [mm]		
YF14081W	BLUE	2.5	14	.591 [15.0]	.315 [8.0]	.098 [2.50]	.087 [2.2]	.165 [4.2]	YF2610TOOL OR YF2210TOOL OR YF2210FL OR YF3206TOOL	
YF14101W		2.5	14	.685 [17.4]	.394 [10.0]	.098 [2.50]	.087 [2.2]	.165 [4.2]		
YF14121W		2.5	14	.709 [18.0]	.472 [12.0]	.098 [2.50]	.087 [2.2]	.165 [4.2]		
YF14181W		2.5	14	.945 [24.0]	.709 [18.0]	.098 [2.50]	.087 [2.2]	.165 [4.2]		
YF14251W		2.5	14	1.26 [32.0]	.984 [25.0]	.098 [2.50]	.087 [2.2]	.165 [4.2]		
YF12091W	GRAY	4	12	.646 [16.4]	.35 [9.0]	.118 [3.0]	.110 [2.8]	.17 [4.3]		
YF12101W		4	12	.70 [17.8]	.39 [10.0]	.118 [3.0]	.110 [2.8]	.17 [4.3]		
YF12121W		4	12	.77 [19.6]	.47 [12.0]	.118 [3.0]	.110 [2.8]	.17 [4.3]		
YF12181W		4	12	1.02 [26.0]	.71 [18.0]	.118 [3.0]	.110 [2.8]	.17 [4.3]		
YF10101W	BLACK	6	10	.728 [18.5]	.394 [10.0]	.154 [3.9]	.138 [3.5]	.248 [6.3]		
YF10121W		6	10	.787 [20.0]	.472 [12.0]	.154 [3.9]	.138 [3.5]	.248 [6.3]		
YF10181W		6	10	1.02 [26.0]	.709 [18.0]	.154 [3.9]	.138 [3.5]	.248 [6.3]		
YF08121W	IVORY	10	8	.866 [22.0]	.472 [12.0]	.193 [4.9]	.177 [4.5]	.299 [7.6]		
YF08151W		10	8	.929 [23.6]	.591 [15.0]	.193 [4.9]	.177 [4.5]	.299 [7.6]		
YF08181W		10	8	1.10 [28.0]	.709 [18.0]	.193 [4.9]	.177 [4.5]	.299 [7.6]		
YF06121W	GREEN	16	6	.945 [24.0]	.472 [12.0]	.244 [6.2]	.228 [5.8]	.346 [8.8]		
YF06181W		16	6	1.10 [28.0]	.709 [18.0]	.244 [6.2]	.228 [5.8]	.346 [8.8]		
YF04121W	BROWN	25	4	.945 [24.0]	.472 [12.0]	.303 [7.7]	.287 [7.3]	.441 [11.2]		
YF04151W		25	4	1.06 [27.0]	.591 [15.0]	.303 [7.7]	.287 [7.3]	.441 [11.2]		
YF04161W		25	4	1.10 [28.0]	.630 [16.0]	.303 [7.7]	.287 [7.3]	.441 [11.2]		
YF04181W		25	4	1.18 [30.0]	.709 [18.0]	.303 [7.7]	.287 [7.3]	.441 [11.2]		
YF04221W		25	4	1.42 [36.0]	.866 [22.0]	.303 [7.7]	.287 [7.3]	.441 [11.2]		
YF04251W	25	4	1.45 [37.0]	.984 [25.0]	.303 [7.7]	.287 [7.3]	.441 [11.2]			
YF02161W	BEIGE	35	2	1.18 [30.0]	.630 [16.0]	.343 [8.7]	.327 [8.3]	.50 [12.7]		
YF02181W		35	2	1.26 [32.0]	.709 [18.0]	.343 [8.7]	.327 [8.3]	.50 [12.7]		
YF02221W		35	2	1.42 [36.0]	.866 [22.0]	.343 [8.7]	.327 [8.3]	.50 [12.7]		
YF02251W		35	2	1.53 [39.0]	.984 [25.0]	.343 [8.7]	.327 [8.3]	.50 [12.7]		

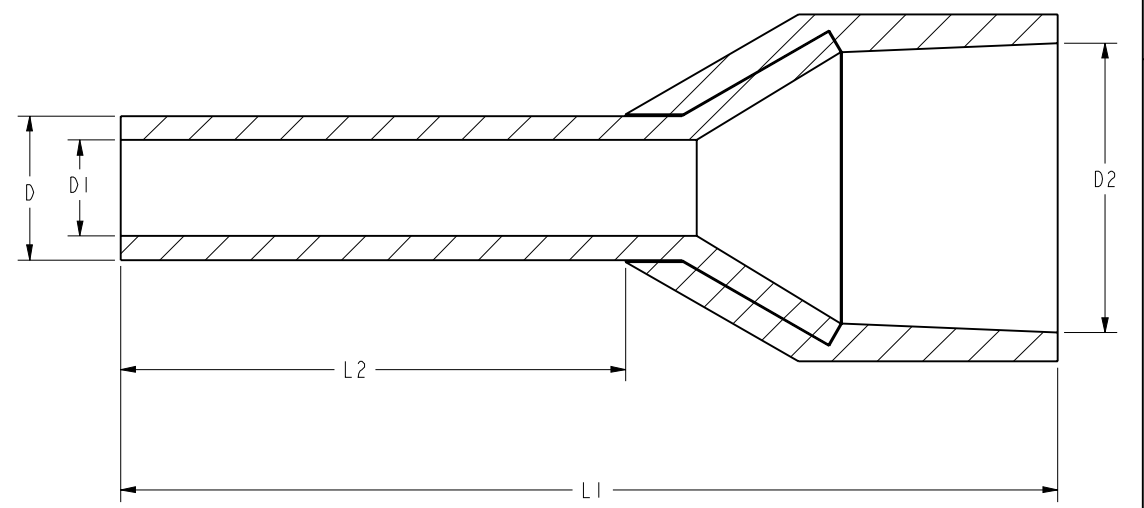


- NOTES:
- MATERIAL: COPPER.
 - FINISH: TIN PLATED.
 - DIMENSIONS IN [] BRACKETS ARE IN MILLIMETERS, ROUNDED OFF TO THE NEAREST MILLIMETER, UNLESS OTHERWISE NOTED. METRIC DIMENSIONS ARE FOR REFERENCE ONLY.

TO ORDER BURNDY® PRODUCTS CALL		INSULATED FERRULE	
UNITED STATES		ITEM NO: N/A	
1-800-346-4175 (LONDONDERRY, NH)		CAT. NO: SEE TABLE	
CANADA:		DRAWN BY: P. RAJESH 03/27/09	
1-800-361-6975 (QUEBEC)		CHECKER: K. BOUTIN 03/28/09	
1-800-387-6487 (ALL OTHER PROVINCES)		DSN APPVL: K. BOUTIN 04/08/09	
FOR PRODUCT INFO: http://www.burndy.com		MFG APPVL: --	
		GA APPVL: J. BRODUE 04/08/09	
		MKT APPVL: R. CAVANAUGH 04/06/09	
		PROD FAM: CM&R Compression	SCALE: NTS
		PROJECT #: --	DRAWING NO
		DOCUMENT TYPE: Sales	10099178
		REL LEVEL: Released	SHEET 2 OF 9

REV: PE0200

BURNDY Catalog Number	Color Code	7		6		5		4		Tool
		mm ²	AWG	L1 inch [mm]	L2 inch [mm]	D inch [mm]	D1 inch [mm]	D2 inch [mm]		
YF01121W	OLIVE GREEN	50	1	.110 [28.0]	.472 [12.0]	.429 [10.9]	.406 [10.3]	.591 [15.0]	YF0801TOOL	
YF01161W		50	1	.126 [32.0]	.630 [16.0]	.429 [10.9]	.406 [10.3]	.591 [15.0]		
YF01201W		50	1	.142 [36.0]	.787 [20.0]	.429 [10.9]	.406 [10.3]	.591 [15.0]		
YF01221W		50	1	.150 [38.0]	.866 [22.0]	.429 [10.9]	.406 [10.3]	.591 [15.0]		
YF01251W		50	1	.158 [40.0]	.984 [25.0]	.429 [10.9]	.406 [10.3]	.591 [15.0]		
YF01301W		50	1	.181 [46.0]	1.18 [30.0]	.429 [10.9]	.406 [10.3]	.591 [15.0]		
YF26061D	PURPLE	0.25	24-26	.409 [10.4]	.236 [6.0]	.043 [1.1]	.031 [.8]	.075 [1.9]	YF3206TOOL	
YF26081D		0.25	24-26	.488 [12.4]	.315 [8.0]	.043 [1.1]	.031 [.8]	.075 [1.9]		
YF22051D	WHITE	0.5	22	.433 [11.0]	.197 [5.0]	.051 [1.3]	.039 [1.0]	.102 [2.6]	YF2210TOOL OR YF2210FL OR YF3206TOOL	
YF22061D		0.5	22	.472 [12.0]	.236 [6.0]	.051 [1.3]	.039 [1.0]	.102 [2.6]		
YF22081D		0.5	22	.551 [14.0]	.315 [8.0]	.051 [1.3]	.039 [1.0]	.102 [2.6]		
YF22101D		0.5	22	.630 [16.0]	.394 [10.0]	.051 [1.3]	.039 [1.0]	.102 [2.6]		
YF22121D		0.5	22	.709 [18.0]	.472 [12.0]	.051 [1.3]	.039 [1.0]	.102 [2.6]		
YF20061D		GRAY	0.75	20	.472 [12.0]	.236 [6.0]	.059 [1.5]	.047 [1.2]		.11 [2.8]
YF20081D	0.75		20	.551 [14.0]	.315 [8.0]	.059 [1.5]	.047 [1.2]	.11 [2.8]		
YF20101D	0.75		20	.630 [16.0]	.394 [10.0]	.059 [1.5]	.047 [1.2]	.11 [2.8]		
YF20121D	0.75		20	.709 [18.0]	.472 [12.0]	.059 [1.5]	.047 [1.2]	.11 [2.8]		
YF20181D	0.75		20	.945 [24.0]	.709 [18.0]	.059 [1.5]	.047 [1.2]	.11 [2.8]		
YF18061D	RED		1	18	.472 [12.0]	.236 [6.0]	.067 [1.7]	.055 [1.4]	.11 [2.8]	
YF18081D		1	18	.551 [14.0]	.315 [8.0]	.067 [1.7]	.055 [1.4]	.11 [2.8]		
YF18101D		1	18	.630 [16.0]	.394 [10.0]	.067 [1.7]	.055 [1.4]	.11 [2.8]		
YF18121D		1	18	.709 [18.0]	.472 [12.0]	.067 [1.7]	.055 [1.4]	.11 [2.8]		
YF18181D		1	18	.945 [24.0]	.709 [18.0]	.067 [1.7]	.055 [1.4]	.11 [2.8]		
YF16061D	BLACK	1.5	16	.472 [12.0]	.236 [6.0]	.079 [2.0]	.067 [1.7]	.138 [3.5]		
YF16081D		1.5	16	.551 [14.0]	.315 [8.0]	.079 [2.0]	.067 [1.7]	.138 [3.5]		
YF16101D		1.5	16	.630 [16.0]	.394 [10.0]	.079 [2.0]	.067 [1.7]	.138 [3.5]		
YF16121D		1.5	16	.709 [18.0]	.472 [12.0]	.079 [2.0]	.067 [1.7]	.138 [3.5]		

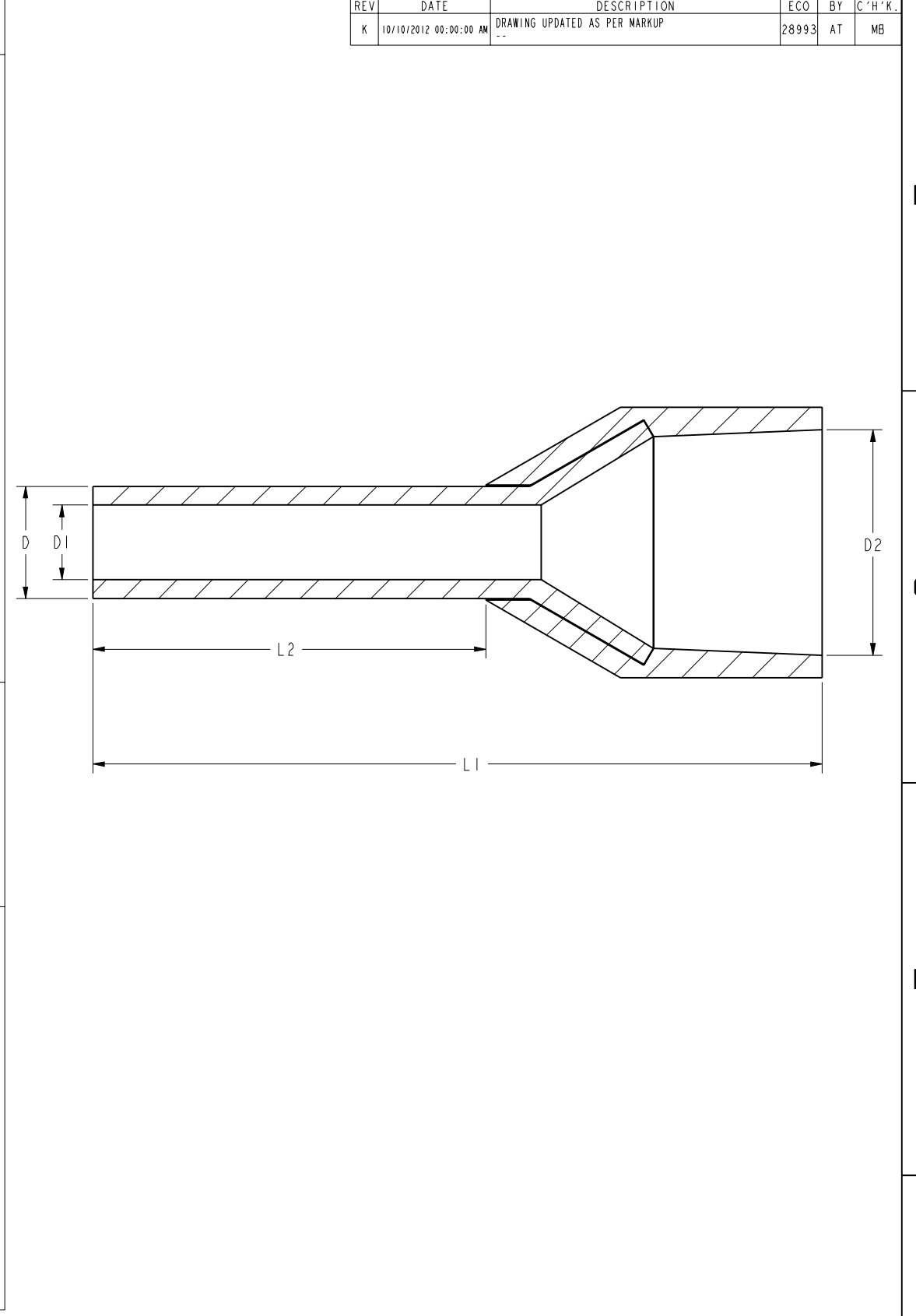


- NOTES:
- MATERIAL: COPPER.
 - FINISH: TIN PLATED.
 - DIMENSIONS IN [] BRACKETS ARE IN MILLIMETERS, ROUNDED OFF TO THE NEAREST MILLIMETER, UNLESS OTHERWISE NOTED. METRIC DIMENSIONS ARE FOR REFERENCE ONLY.

TO ORDER BURNDY® PRODUCTS CALL		INSULATED FERRULE	
UNITED STATES		ITEM NO: N/A	
1-800-346-4175 (LONDONDERRY, NH)		CAT. NO: SEE TABLE	
CANADA:		DRAWN BY: P. RAJESH 03/27/09	
1-800-361-6975 (QUEBEC)		CHECKER: K. BOUTIN 03/28/09	
1-800-387-6487 (ALL OTHER PROVINCES)		DSN APPVL: K. BOUTIN 04/08/09	
FOR PRODUCT INFO: http://www.burndy.com		MFG APPVL: --	
		GA APPVL: J. BRODUE 04/08/09	
		MKT APPVL: R. CAVANAUGH 04/06/09	
		PROD FAM: CM&R Compression	SCALE: NTS
		PROJECT #: --	DRAWING NO
		DOCUMENT TYPE: Sales	10099178
		REL LEVEL: Released	SHEET 3 OF 9

REV: PE0200

BURNDY Catalog Number	Color Code	7		6		5		4		Tool
		mm ²	AWG	L1 inch [mm]	L2 inch [mm]	D inch [mm]	D1 inch [mm]	D2 inch [mm]		
YF16151D	BLACK	1.5	16	.945 [24.0]	.709 [18.0]	.079 [2.0]	.067 [1.7]	.138 [3.5]	YF2210TOOL OR YF2210FL OR YF3206TOOL	
YF16181D		1.5	16	1.06 [27.0]	.591 [15.0]	.079 [2.0]	.067 [1.7]	.138 [3.5]		
YF14081D	BLUE	2.5	14	.591 [15.0]	.315 [8.0]	.098 [2.5]	.087 [2.2]	.165 [4.2]		
YF14101D		2.5	14	.685 [17.4]	.394 [10.0]	.098 [2.5]	.087 [2.2]	.165 [4.2]		
YF14121D		2.5	14	.709 [18.0]	.472 [12.0]	.098 [2.5]	.087 [2.2]	.165 [4.2]		
YF14181D		2.5	14	.945 [24.0]	.709 [18.0]	.098 [2.5]	.087 [2.2]	.165 [4.2]		
YF14251D		2.5	14	1.26 [32.0]	.984 [25.0]	.098 [2.5]	.087 [2.2]	.165 [4.2]		
YF12091D	GRAY	4	12	.646 [16.4]	.35 [9.0]	.118 [3.0]	.110 [2.8]	.17 [4.3]		
YF12101D		4	12	.70 [18.0]	.39 [10.0]	.118 [3.0]	.110 [2.8]	.17 [4.3]		
YF12121D		4	12	.77 [19.6]	.47 [12.0]	.118 [3.0]	.110 [2.8]	.17 [4.3]		
YF12181D		4	12	1.02 [26.0]	.71 [18.0]	.118 [3.0]	.110 [2.8]	.17 [4.3]		
YF10101D	YELLOW	6	10	.728 [18.5]	.394 [10.0]	.154 [3.9]	.138 [3.5]	.248 [6.3]		YF1006TOOL OR YF0801TOOL OR YF3206TOOL
YF10121D		6	10	.787 [20.0]	.472 [12.0]	.154 [3.9]	.138 [3.5]	.248 [6.3]		
YF10181D		6	10	1.02 [26.0]	.709 [18.0]	.154 [3.9]	.138 [3.5]	.248 [6.3]		
YF08121D	RED	10	8	.866 [22.0]	.472 [12.0]	.193 [4.9]	.177 [4.5]	.299 [7.6]		
YF08151D		10	8	.929 [23.6]	.591 [15.0]	.193 [4.9]	.177 [4.5]	.299 [7.6]		
YF08181D	10	8	1.10 [28.0]	.709 [18.0]	.193 [4.9]	.177 [4.5]	.299 [7.6]			
YF06121D	BLUE	16	6	.945 [24.0]	.472 [12.0]	.244 [6.2]	.228 [5.8]	.346 [8.8]	YF0801TOOL	
YF06181D		16	6	1.10 [28.0]	.709 [18.0]	.244 [6.2]	.228 [5.8]	.346 [8.8]		
YF04121D	YELLOW	25	4	.945 [24.0]	.472 [12.0]	.303 [7.7]	.287 [7.3]	.441 [11.2]		
YF04151D		25	4	1.06 [27.0]	.591 [15.0]	.303 [7.7]	.287 [7.3]	.441 [11.2]		
YF04161D		25	4	1.10 [28.0]	.630 [16.0]	.303 [7.7]	.287 [7.3]	.441 [11.2]		
YF04181D		25	4	1.18 [30.0]	.709 [18.0]	.303 [7.7]	.287 [7.3]	.441 [11.2]		
YF04221D		25	4	1.42 [36.0]	.866 [22.0]	.303 [7.7]	.287 [7.3]	.441 [11.2]		
YF04251D	25	4	1.45 [37.0]	.984 [25.0]	.303 [7.7]	.287 [7.3]	.441 [11.2]			
YF02161D	RED	35	2	1.18 [30.0]	.630 [16.0]	.343 [8.7]	.327 [8.3]	.50 [12.7]		
YF02181D		35	2	1.26 [32.0]	.709 [18.0]	.343 [8.7]	.327 [8.3]	.50 [12.7]		
YF02221D		35	2	1.42 [36.0]	.866 [22.0]	.343 [8.7]	.327 [8.3]	.50 [12.7]		



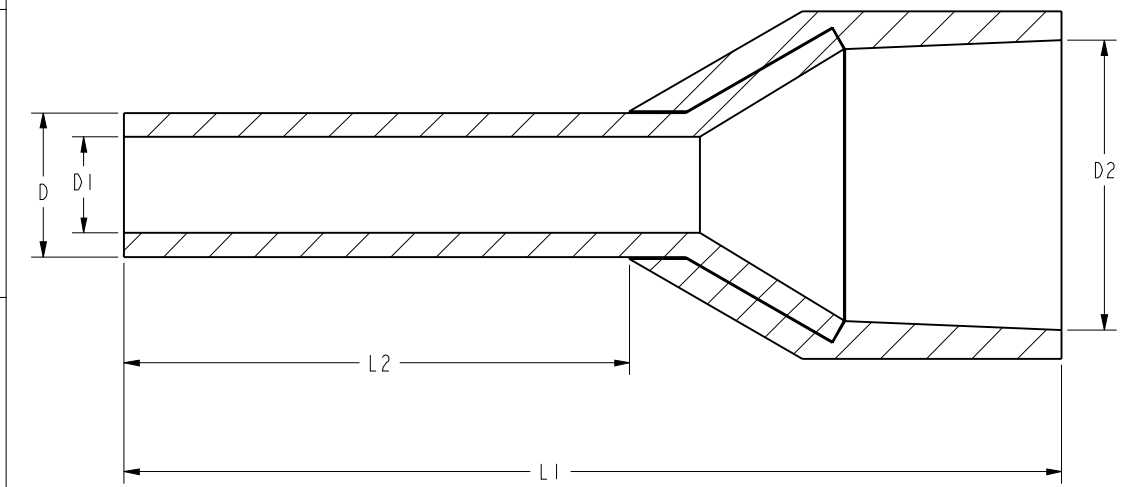
NOTES:

- MATERIAL: COPPER.
- FINISH: TIN PLATED.
- DIMENSIONS IN [] BRACKETS ARE IN MILLIMETERS, ROUNDED OFF TO THE NEAREST MILLIMETER, UNLESS OTHERWISE NOTED. METRIC DIMENSIONS ARE FOR REFERENCE ONLY.

TO ORDER BURNDY® PRODUCTS CALL		INSULATED FERRULE	
UNITED STATES		ITEM NO:	N/A
1-800-346-4175 (LONDONDERRY, NH)		CAT. NO:	SEE TABLE
CANADA:		DRAWN BY:	P. RAJESH 03/27/09
1-800-387-6487 (ALL OTHER PROVINCES)		CHECKER:	K. BOUTIN 03/28/09
FOR PRODUCT INFO: http://www.burndy.com		DSN APPVL:	K. BOUTIN 04/08/09
		MFG APPVL:	--
		GA APPVL:	J. BRODUE 04/08/09
		MKT APPVL:	R. CAVANAUGH 04/06/09
		PROD FAM:	CM&R Compression
		PROJECT #:	--
		SIZE:	D
		SCALE:	NIS
		DRAWING NO:	10099178
		REV:	K
		SHEET 4 OF 9	

BURNDY Catalog Number	Color Code	7		6		5		4		Tool
		mm ²	AWG	L1 inch [mm]	L2 inch [mm]	D inch [mm]	D1 inch [mm]	D2 inch [mm]		
YF02251D	RED	35	2	1.53 [39.0]	.984 [25.0]	.343 [8.7]	.327 [8.3]	.50 [12.7]	YF0801TOOL	
YF01121D	BLUE	50	1	1.10 [28.0]	.472 [12.0]	.429 [10.9]	.406 [10.3]	.591 [15.0]		
YF01161D		50	1	1.26 [32.0]	.630 [16.0]	.429 [10.9]	.406 [10.3]	.591 [15.0]		
YF01201D		50	1	1.42 [36.0]	.787 [20.0]	.429 [10.9]	.406 [10.3]	.591 [15.0]		
YF01221D		50	1	1.5 [38.0]	.866 [22.0]	.429 [10.9]	.406 [10.3]	.591 [15.0]		
YF01251D		50	1	1.58 [40.0]	.984 [25.0]	.429 [10.9]	.406 [10.3]	.591 [15.0]		
YF01301D		50	1	1.81 [46.0]	1.18 [30.0]	.429 [10.9]	.406 [10.3]	.591 [15.0]		
YF2/0201D	YELLOW	70	2/0	1.45 [37.0]	.787 [20.0]	.563 [14.3]	.531 [13.5]	.630 [16.0]	YF1/03/0TOOL	
YF2/0251D		70	2/0	1.65 [42.0]	.984 [25.0]	.563 [14.3]	.531 [13.5]	.630 [16.0]		
YF2/0271D		70	2/0	1.73 [44.0]	1.06 [27.0]	.563 [14.3]	.531 [13.5]	.630 [16.0]		
YF3/0251D	RED	95	3/0	1.73 [44.0]	.984 [25.0]	.614 [15.6]	.583 [14.8]	.725 [18.5]	YF4/0250TOOL	
YF3/0301D		95	3/0	1.95 [49.6]	1.18 [30.0]	.614 [15.6]	.583 [14.8]	.725 [18.5]		
YF4/0271D	BLUE	120	4/0	1.87 [47.6]	1.06 [27.0]	.697 [17.7]	.657 [16.7]	.799 [20.3]		
YF4/0301D		120	4/0	2.01 [51.0]	1.18 [30.0]	.697 [17.7]	.657 [16.7]	.799 [20.3]		
YF4/0321D		120	4/0	2.07 [52.6]	1.26 [32.0]	.697 [17.7]	.657 [16.7]	.799 [20.3]		
YF4/0341D		120	4/0	2.15 [54.6]	1.34 [34.0]	.697 [17.7]	.657 [16.7]	.799 [20.3]		
YF250251D	YELLOW	150	250	1.99 [50.6]	.984 [25.0]	.811 [20.6]	.772 [19.6]	.921 [23.4]	YF3206TOOL	
YF250271D		150	250	2.07 [52.6]	1.06 [27.0]	.811 [20.6]	.772 [19.6]	.921 [23.4]		
YF250321D		150	250	2.27 [57.6]	1.26 [32.0]	.811 [20.6]	.772 [19.6]	.921 [23.4]		
YF250381D		150	250	2.50 [63.6]	1.50 [38.0]	.811 [20.6]	.772 [19.6]	.921 [23.4]		
YF28061T	BROWN	0.14	26-28	.409 [10.4]	.236 [6.0]	.035 [.9]	.023 [.6]	.059 [1.5]	YF2610TOOL OR YF3206TOOL	
YF28081T		0.14	26-28	.488 [12.4]	.315 [8.0]	.035 [.9]	.023 [.6]	.059 [1.5]		
YF26061T	YELLOW	0.25	24-26	.409 [10.4]	.236 [6.0]	.043 [1.1]	.031 [0.8]	.075 [1.9]		
YF26081T		0.25	24-26	.488 [12.4]	.315 [8.0]	.043 [1.1]	.031 [0.8]	.075 [1.9]		
YF24061T	PINK	0.34	22-24	.409 [10.4]	.236 [6.0]	.045 [1.15]	.033 [0.85]	.079 [2.0]	YF2610TOOL OR YF3206TOOL	
YF24081T		0.34	22-24	.488 [12.4]	.315 [8.0]	.045 [1.15]	.033 [0.85]	.079 [2.0]		

REV	DATE	DESCRIPTION	ECO	BY	C'H'K.
K	10/10/2012 00:00:00 AM	DRAWING UPDATED AS PER MARKUP	28993	AT	MB



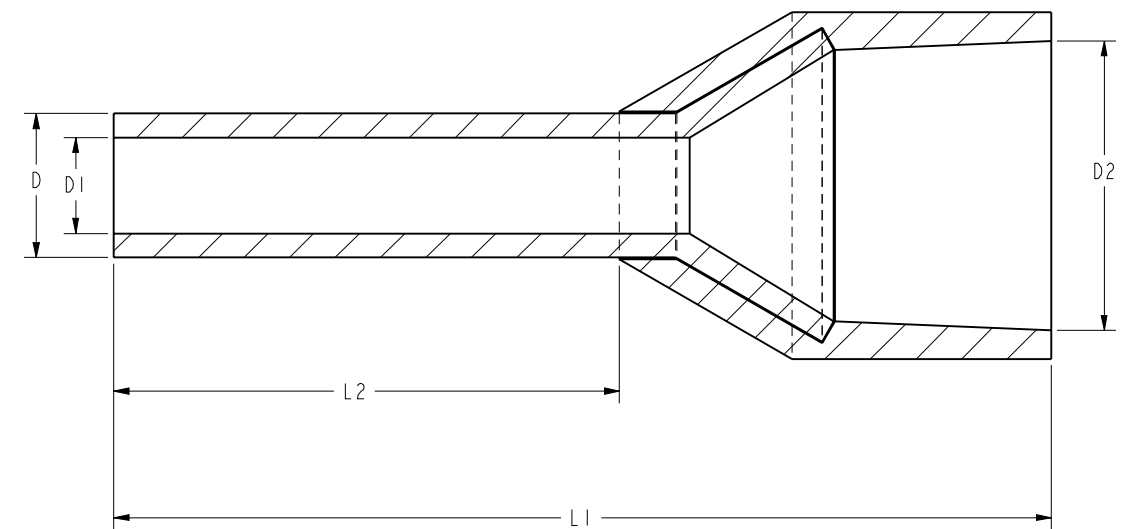
- NOTES:
- MATERIAL: COPPER.
 - FINISH: TIN PLATED.
 - DIMENSIONS IN [] BRACKETS ARE IN MILLIMETERS, ROUNDED OFF TO THE NEAREST MILLIMETER, UNLESS OTHERWISE NOTED. METRIC DIMENSIONS ARE FOR REFERENCE ONLY.

TO ORDER BURNDY® PRODUCTS CALL		ITEM NO: N/A	
UNITED STATES		CAT. NO: SEE TABLE	
1-800-346-4175 (LONDONDERRY, NH)		DRAWN BY: P. RAJESH 03/27/09	
CANADA:		CHECKER: K. BOUTIN 03/28/09	
1-800-387-6487 (ALL OTHER PROVINCES)		DSN APPVL: K. BOUTIN 04/08/09	
FOR PRODUCT INFO: http://www.burndy.com		MFG APPVL: --	
		GA APPVL: J. BRODUE 04/08/09	
		MKT APPVL: R. CAVANAUGH 04/06/09	
		PROD FAM: CM&R Compression	
		DRAWING NO	
		PROJECT #: --	
		SIZE	
		DOCUMENT TYPE: Sales	
		REL LEVEL: Released	
		SCALE: NIS	
		DRAWING NO	
		REV	
		10099178	
		K	
		SHEET 5 OF 9	

REV: PE0200

REV	DATE	DESCRIPTION			ECO	BY	C'H'K.
		REV	DATE	DESCRIPTION			
K	10/10/2012 00:00:00 AM	---	DRAWING UPDATED AS PER MARKUP	28993	AT	MB	

BURNDY Catalog Number	Color Code	7		6		5		4		Tool
		mm ²	AWG	L1 inch [mm]	L2 inch [mm]	D inch [mm]	D1 inch [mm]	D2 inch [mm]		
YF22051T	WHITE	0.5	22	.433 [11.0]	.197 [5.0]	.051 [1.3]	.039 [1.0]	.102 [2.6]	YF2210TOOL OR YF2210FL OR YF3206TOOL	
YF22061T		0.5	22	.472 [12.0]	.236 [6.0]	.051 [1.3]	.039 [1.0]	.102 [2.6]		
YF22081T		0.5	22	.551 [14.0]	.315 [8.0]	.051 [1.3]	.039 [1.0]	.102 [2.6]		
YF22101T		0.5	22	.630 [16.0]	.394 [10.0]	.051 [1.3]	.039 [1.0]	.102 [2.6]		
YF22121T		0.5	22	.709 [18.0]	.472 [12.0]	.051 [1.3]	.039 [1.0]	.102 [2.6]		
YF20061T	BLUE	0.75	20	.472 [12.0]	.236 [6.0]	.059 [1.5]	.047 [1.2]	.11 [2.8]		
YF20081T		0.75	20	.551 [14.0]	.315 [8.0]	.059 [1.5]	.047 [1.2]	.11 [2.8]		
YF20101T		0.75	20	.630 [16.0]	.394 [10.0]	.059 [1.5]	.047 [1.2]	.11 [2.8]		
YF20121T		0.75	20	.709 [18.0]	.472 [12.0]	.059 [1.5]	.047 [1.2]	.11 [2.8]		
YF20181T		0.75	20	.945 [24.0]	.709 [18.0]	.059 [1.5]	.047 [1.2]	.11 [2.8]		
YF18061T	RED	1	18	.472 [12.0]	.236 [6.0]	.067 [1.7]	.055 [1.4]	.11 [2.8]		
YF18081T		1	18	.551 [14.0]	.315 [8.0]	.067 [1.7]	.055 [1.4]	.11 [2.8]		
YF18101T		1	18	.630 [16.0]	.394 [10.0]	.067 [1.7]	.055 [1.4]	.11 [2.8]		
YF18121T		1	18	.709 [18.0]	.472 [12.0]	.067 [1.7]	.055 [1.4]	.11 [2.8]		
YF18181T		1	18	.945 [24.0]	.709 [18.0]	.067 [1.7]	.055 [1.4]	.11 [2.8]		
YF16061T	BLACK	1.5	16	.472 [12.0]	.236 [6.0]	.079 [2.0]	.067 [1.7]	.138 [3.5]		
YF16081T		1.5	16	.551 [14.0]	.315 [8.0]	.079 [2.0]	.067 [1.7]	.138 [3.5]		
YF16101T		1.5	16	.630 [16.0]	.394 [10.0]	.079 [2.0]	.067 [1.7]	.138 [3.5]		
YF16121T		1.5	16	.709 [18.0]	.472 [12.0]	.079 [2.0]	.067 [1.7]	.138 [3.5]		
YF16151T		1.5	16	.945 [24.0]	.709 [18.0]	.079 [2.0]	.067 [1.7]	.138 [3.5]		
YF16181T	1.5	16	1.06 [27.0]	.591 [15.0]	.079 [2.0]	.067 [1.7]	.138 [3.5]			
YF14081T	GRAY	2.5	14	.591 [15.0]	.315 [8.0]	.098 [2.50]	.087 [2.2]	.165 [4.2]		
YF14101T		2.5	14	.685 [17.4]	.394 [10.0]	.098 [2.50]	.087 [2.2]	.165 [4.2]		
YF14121T		2.5	14	.709 [18.0]	.472 [12.0]	.098 [2.50]	.087 [2.2]	.165 [4.2]		
YF14181T		2.5	14	.945 [24.0]	.709 [18.0]	.098 [2.50]	.087 [2.2]	.165 [4.2]		
YF14251T		2.5	14	1.26 [32.0]	.984 [25.0]	.098 [2.50]	.087 [2.2]	.165 [4.2]		
YF12091T	ORANGE	4	12	.646 [16.4]	.35 [9.0]	.118 [3.0]	.110 [2.8]	.17 [4.3]		
YF12101T		4	12	.70 [18]	.39 [10.0]	.118 [3.0]	.110 [2.8]	.17 [4.3]		
YF12121T		4	12	.77 [19.6]	.47 [12.0]	.118 [3.0]	.110 [2.8]	.17 [4.3]		
YF12181T		4	12	1.02 [26.0]	.71 [18.0]	.118 [3.0]	.110 [2.8]	.17 [4.3]		



NOTES:

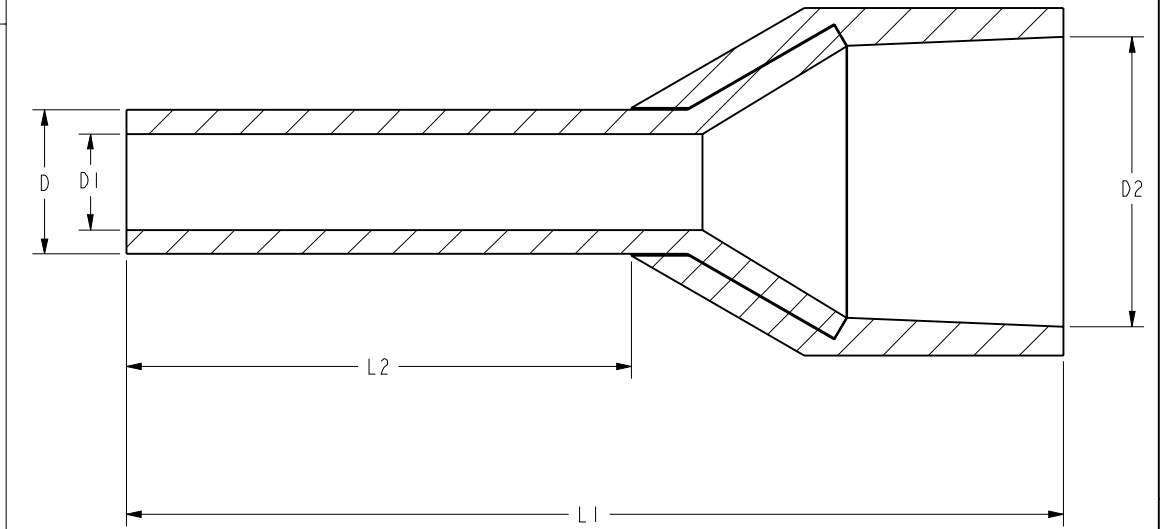
- MATERIAL: COPPER.
- FINISH: TIN PLATED.
- DIMENSIONS IN [] BRACKETS ARE IN MILLIMETERS, ROUNDED OFF TO THE NEAREST MILLIMETER, UNLESS OTHERWISE NOTED. METRIC DIMENSIONS ARE FOR REFERENCE ONLY.

TO ORDER BURNDY® PRODUCTS CALL		INSULATED FERRULE	
UNITED STATES		ITEM NO:	N/A
1-800-346-4175 (LONDONDERRY, NH)		CAT. NO:	SEE TABLE
CANADA:		DRAWN BY:	P. RAJESH 03/27/09
1-800-387-6487 (ALL OTHER PROVINCES)		CHECKER:	K. BOUTIN 03/28/09
FOR PRODUCT INFO: http://www.burndy.com		DSN APPVL:	K. BOUTIN 04/08/09
		MFG APPVL:	--
		GA APPVL:	J. BRODUE 04/08/09
		MKT APPVL:	R. CAVANAUGH 04/06/09
		PROD FAM:	CM&R Compression
		PROJECT #:	--
		SIZE:	D
		SCALE:	NTS
		DRAWING NO:	10099178
		REV:	K
		SHEET:	6 OF 9

REV: PE0200

BURNDY Catalog Number	Color Code	7		6		5		4		Tool
		mm ²	AWG	L1 inch [mm]	L2 inch [mm]	D inch [mm]	D1 inch [mm]	D2 inch [mm]		
YF10101T	GREEN	6	10	.728 [18.5]	.394 [10.0]	.154 [3.9]	.138 [3.5]	.248 [6.3]	YF2210TOOL OR YF2210FL OR YF3206TOOL	
YF10121T		6	10	.787 [20.0]	.472 [12.0]	.154 [3.9]	.138 [3.5]	.248 [6.3]		
YF10181T		6	10	1.02 [26.0]	.709 [18.0]	.154 [3.9]	.138 [3.5]	.248 [6.3]		
YF08121T	BROWN	10	8	.866 [22.0]	.472 [12.0]	.193 [4.9]	.177 [4.5]	.299 [7.6]	YF0801TOOL OR YF3206TOOL	
YF08151T		10	8	.929 [23.6]	.591 [15.0]	.193 [4.9]	.177 [4.5]	.299 [7.6]		
YF08181T		10	8	1.10 [28.0]	.709 [18.0]	.193 [4.9]	.177 [4.5]	.299 [7.6]		
YF06121T	IVORY	16	6	.945 [24.0]	.472 [12.0]	.244 [6.2]	.228 [5.8]	.346 [8.8]		
YF06181T		16	6	1.10 [28.0]	.709 [18.0]	.244 [6.2]	.228 [5.8]	.346 [8.8]		
YF04121T	BLACK	25	4	.945 [24.0]	.472 [12.0]	.303 [7.7]	.287 [7.3]	.441 [11.2]	YF0801TOOL	
YF04151T		25	4	1.06 [27.0]	.591 [15.0]	.303 [7.7]	.287 [7.3]	.441 [11.2]		
YF04161T		25	4	1.10 [28.0]	.630 [16.0]	.303 [7.7]	.287 [7.3]	.441 [11.2]		
YF04181T		25	4	1.18 [30.0]	.709 [18.0]	.303 [7.7]	.287 [7.3]	.441 [11.2]		
YF04221T		25	4	1.42 [36.0]	.866 [22.0]	.303 [7.7]	.287 [7.3]	.441 [11.2]		
YF04251T		25	4	1.45 [37.0]	.984 [25.0]	.303 [7.7]	.287 [7.3]	.441 [11.2]		
YF02161T	BEIGE	35	2	1.18 [30.0]	.630 [16.0]	.343 [8.7]	.327 [8.3]	.50 [12.7]		
YF02181T		35	2	1.26 [32.0]	.709 [18.0]	.343 [8.7]	.327 [8.3]	.50 [12.7]		
YF02221T		35	2	1.42 [36.0]	.866 [22.0]	.343 [8.7]	.327 [8.3]	.50 [12.7]		
YF02251T		35	2	1.53 [39.0]	.984 [25.0]	.343 [8.7]	.327 [8.3]	.50 [12.7]		
YF01121T	OLIVE GREEN	0.5	1	1.10 [28.0]	.472 [12.0]	.429 [10.9]	.406 [10.3]	.591 [15.0]		
YF01161T		0.5	1	1.26 [32.0]	.630 [16.0]	.429 [10.9]	.406 [10.3]	.591 [15.0]		
YF01201T		0.5	1	1.42 [36]	.787 [20.0]	.429 [10.9]	.406 [10.3]	.591 [15.0]		
YF01221T		0.5	1	1.50 [38.0]	.866 [22.0]	.429 [10.9]	.406 [10.3]	.591 [15.0]		
YF01251T		0.5	1	1.58 [40.0]	.984 [25.0]	.429 [10.9]	.406 [10.3]	.591 [15.0]		
YF01301T		0.5	1	1.81 [46.0]	1.18 [30.0]	.429 [10.9]	.406 [10.3]	.591 [15.0]		

REV	DATE	DESCRIPTION	ECO	BY	C'H'K.
K	10/10/2012 00:00:00 AM	DRAWING UPDATED AS PER MARKUP	28993	AT	MB



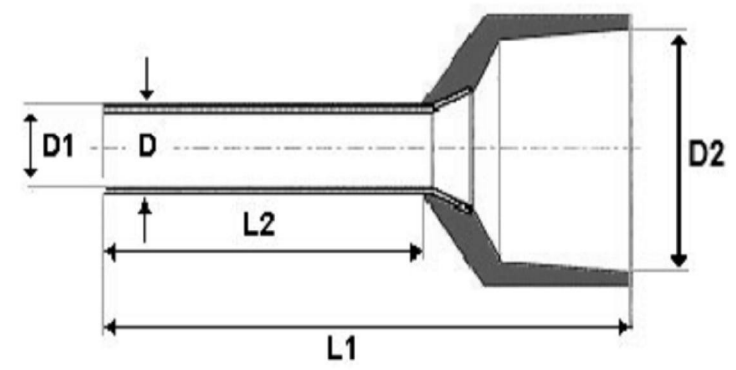
- NOTES:
- MATERIAL: COPPER.
 - FINISH: TIN PLATED.
 - DIMENSIONS IN [] BRACKETS ARE IN MILLIMETERS, ROUNDED OFF TO THE NEAREST MILLIMETER, UNLESS OTHERWISE NOTED. METRIC DIMENSIONS ARE FOR REFERENCE ONLY.

TO ORDER BURNDY® PRODUCTS CALL		ITEM NO: N/A	
UNITED STATES		CAT. NO: SEE TABLE	
1-800-346-4175 (LONDONDERRY, NH)		DRAWN BY: P. RAJESH 03/27/09	
CANADA:		CHECKER: K. BOUTIN 03/28/09	
1-800-387-6487 (ALL OTHER PROVINCES)		DSN APPVL: K. BOUTIN 04/08/09	
FOR PRODUCT INFO: http://www.burndy.com		MFG APPVL: --	
		QA APPVL: J. BRODUEUR 04/08/09	
		MKT APPVL: R. CAVANAUGH 04/06/09	
		PROD FAM: CM&R Compression	
		DRAWING NO	
		SCALE: NTS	
		PROJECT #: --	
		SIZE	
		10099178	
		DOCUMENT TYPE: Sales	
		SHEET 7 OF 9	
		REL LEVEL: Released	
		REV	
		K	



REV: PE0200

BURNDY Catalog Number	Color Code	7		6		5		4		Tool
		mm ²	AWG	L1 inch [mm]	L2 inch [mm]	D inch [mm]	D1 inch [mm]	D2 inch [mm]	E inch [mm]	
YFTW2208W	ORANGE	0.5	22	.599 [15]	.304 [8]	.071 [2]	.060 [2]	.192 [5]	.106 [3]	YF2210TOOL OR YF2210FL OR YF3206TOOL
YFTW2008W	WHITE	0.75	20	.604 [15]	.307 [8]	.083 [2]	.071 [2]	.203 [5]	.118 [3]	
YFTW2010W		0.75	20	.657 [16.7]	.394 [10]	.083 [2.1]	.071 [1.8]	.217 [5.5]	.110 [2.8]	
YFTW1808W	YELLOW	1	18	.619 [16]	.311 [8]	.093 [2]	.082 [2]	.218 [6]	.138 [3]	
YFTW1810W		1	18	.706 [18]	.394 [10]	.094 [2.4]	.083 [2.1]	.217 [5.5]	.133 [3.4]	
YFTW1608W	RED	1.5	16	.654 [17]	.305 [8]	.104 [3]	.089 [2]	.263 [7]	.145 [4]	
YFTW1612W		1.5	16	.816 [21]	.472 [12]	.102 [2.6]	.091 [2.3]	.252 [6.4]	.141 [3.6]	
YFTW1410W	BLUE	2.5	14	.766 [19]	.393 [10]	.127 [3]	.112 [3]	.310 [8]	.166 [4]	
YFTW1413W		2.5	14	.883 [22]	.512 [13]	.130 [3.3]	.114 [2.9]	.315 [8]	.165 [4.2]	
YFTW1212W	GRAY	4	12	.915 [23]	.464 [12]	.166 [4]	.151 [4]	.360 [9]	.197 [5]	
YFTW1014W	BLACK	6	10	.994 [25]	.532 [14]	.210 [5]	.190 [5]	.406 [10]	.310 [8]	
YFTW0814W	BEIGE	10	8	1.041 [26]	.547 [14]	.269 [7]	.252 [6]	.508 [13]	.315 [8]	
YFTW0614W	GREEN	16	6	1.23 [31.3]	.551 [14]	.343 [8.7]	.327 [8.3]	.748 [19]	.377 [9.6]	
YFTW2208D	WHITE	0.5	22	.599 [15]	.304 [8]	.071 [2]	.060 [2]	.192 [5]	.106 [3]	YF0801TOOL
YFTW2008D	GRAY	0.75	20	.604 [15]	.307 [8]	.083 [2]	.071 [2]	.203 [5]	.118 [3]	
YFTW2010D		0.75	20	.683 [17]	.394 [10]	.083 [2.1]	.071 [1.8]	.217 [5.5]	.110 [2.8]	
YFTW1808D	RED	1	18	.619 [16]	.311 [8]	.093 [2]	.082 [2]	.218 [6]	.138 [3]	
YFTW1810D		1	18	.699 [18]	.394 [10]	.094 [2.4]	.083 [2.1]	.217 [5.5]	.133 [3.4]	
YFTW1608D	BLACK	1.5	16	.654 [17]	.305 [8]	.104 [3]	.089 [2]	.263 [7]	.145 [4]	
YFTW1612D		1.5	16	.768 [19.5]	.472 [12]	.102 [2.6]	.091 [2.3]	.252 [6.4]	.141 [3.6]	
YFTW1410D	BLUE	2.5	14	.766 [19]	.393 [10]	.127 [3]	.112 [3]	.310 [8]	.166 [4]	
YFTW1413D		2.5	14	.883 [22]	.512 [13]	.130 [3.3]	.114 [2.9]	.315 [8]	.165 [4.2]	
YFTW1212D	GRAY	4	12	.915 [23]	.464 [12]	.166 [4]	.151 [4]	.360 [9]	.197 [5]	
YFTW1014D	YELLOW	6	10	.994 [25]	.532 [14]	.210 [5]	.190 [5]	.406 [10]	.310 [8]	
YFTW0814D	RED	10	8	1.041 [26]	.547 [14]	.269 [7]	.252 [6]	.508 [13]	.315 [8]	
YFTW0614D	BLUE	16	6	1.23 [31.3]	.551 [14]	.343 [8.7]	.327 [8.3]	.748 [19]	.377 [9.6]	



REV	DATE	DESCRIPTION	ECO	BY	C'H'K.
K	10/10/2012 00:00:00 AM	DRAWING UPDATED AS PER MARKUP	28993	AT	MB

REV: PE0200

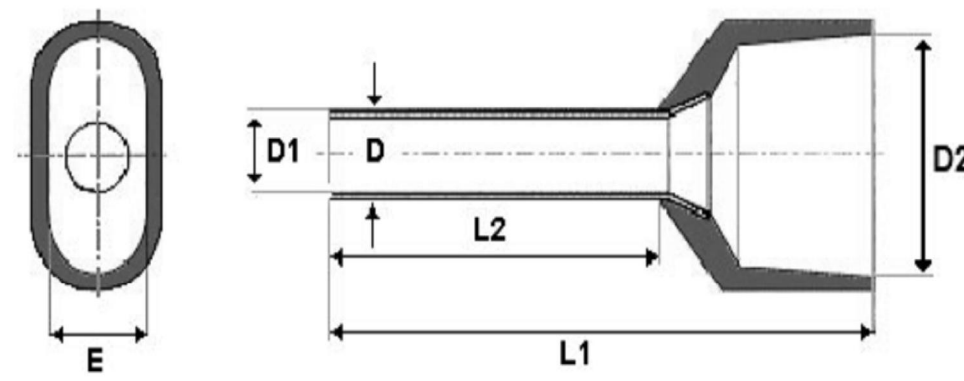
- NOTES:
- MATERIAL: COPPER.
 - FINISH: TIN PLATED.
 - DIMENSIONS IN [] BRACKETS ARE IN MILLIMETERS, ROUNDED OFF TO THE NEAREST MILLIMETER, UNLESS OTHERWISE NOTED. METRIC DIMENSIONS ARE FOR REFERENCE ONLY.

TO ORDER BURNDY® PRODUCTS CALL
 UNITED STATES
 1-800-346-4175 (LONDONDERRY, NH)
 CANADA:
 1-800-361-6975 (QUEBEC)
 1-800-387-6487 (ALL OTHER PROVINCES)
 FOR PRODUCT INFO: <http://www.burndy.com>

ITEM NO:		N/A	
CAT. NO: SEE TABLE			
DRAWN BY:	P. RAJESH	03/27/09	
CHECKER:	K. BOUTIN	03/28/09	
DSN APPVL:	K. BOUTIN	04/08/09	
MFG APPVL:	--	--	
QA APPVL:	J. BRODUE	04/08/09	
MKT APPVL:	R. CAVANAUGH	04/06/09	
PROD FAM:	CM&R Compression	DRAWING NO	REV
PROJECT #:	--	SIZE	
DOCUMENT TYPE:	Sales		10099178
REL LEVEL:	Released		SHEET 8 OF 9



DRAWING NO. 10099178		7		6		5		4		3		2		1		
BURNDY Catalog Number	Color Code	mm ²	AWG	L1 inch [mm]	L2 inch [mm]	D inch [mm]	D1 inch [mm]	D2 inch [mm]	E inch [mm]	Tool	REV	DATE	DESCRIPTION	ECO	BY	C'H'K.
YFTW2208T	WHITE	0.5	22	.599 [15]	.304 [8]	.071 [2]	.060 [2]	.192 [5]	.106 [3]	YF2210TOOL OR YF2210FL	K	10/10/2012 00:00:00 AM	DRAWING UPDATED AS PER MARKUP	28993	AT	MB
YFTW2008T	LT BLUE	0.75	20	.604 [15]	.307 [8]	.083 [2]	.071 [2]	.203 [5]	.118 [3]							
YFTW2010T		0.75	20	.694 [17]	.394 [10]	.083 [2.1]	.071 [1.8]	.217 [5.5]	.110 [2.8]							
YFTW1808T	RED	1	18	.619 [16]	.311 [8]	.093 [2]	.082 [2]	.218 [6]	.138 [3]							
YFTW1810T		1	18	.699 [18]	.394 [10]	.094 [2.4]	.083 [2.1]	.217 [5.5]	.133 [3.4]							
YFTW1608T	BLACK	1.5	16	.654 [17]	.305 [8]	.104 [3]	.089 [2]	.263 [7]	.145 [4]							
YFTW1612T		1.5	16	.768 [19.5]	.472 [12]	.102 [2.6]	.091 [2.3]	.252 [6.4]	.141 [3.6]							
YFTW1410T	GRAY	2.5	14	.766 [19]	.393 [10]	.127 [3]	.112 [3]	.310 [8]	.166 [4]							
YFTW1413T		2.5	14	.877 [22]	.512 [13]	.130 [3.3]	.114 [2.9]	.315 [8]	.165 [4.2]							
YFTW1212T	ORANGE	4	12	.915 [23]	.464 [12]	.166 [4]	.151 [4]	.360 [9]	.197 [5]		YF0801TOOL					
YFTW1014T	GREEN	6	10	.994 [25]	.532 [14]	.210 [5]	.190 [5]	.406 [10]	.310 [8]							
YFTW0814T	BROWN	10	8	1.041 [26]	.547 [14]	.269 [7]	.252 [6]	.508 [13]	.315 [8]							
YFTW0614T	IVORY	16	6	1.26 [32]	.551 [14]	.343 [8.7]	.327 [8.3]	.748 [19]	.377 [9.6]							



NOTES:
 1. MATERIAL: COPPER.
 2. FINISH: TIN PLATED.
 3. DIMENSIONS IN [] BRACKETS ARE IN MILLIMETERS, ROUNDED OFF TO THE NEAREST MILLIMETER, UNLESS OTHERWISE NOTED. METRIC DIMENSIONS ARE FOR REFERENCE ONLY.

TO ORDER BURNDY® PRODUCTS CALL		INSULATED FERRULE	
UNITED STATES		ITEM NO:	N/A
1-800-346-4175 (LONDONDERRY, NH)		CAT. NO:	SEE TABLE
CANADA:		DRAWN BY:	P. RAJESH 03/27/09
1-800-387-6487 (ALL OTHER PROVINCES)		CHECKER:	K. BOUTIN 03/28/09
FOR PRODUCT INFO: http://www.burndy.com		DSN APPVL:	K. BOUTIN 04/08/09
		MFG APPVL:	--
		GA APPVL:	J. BRODUEUR 04/08/09
		MKT APPVL:	R. CAVANAUGH 04/06/09
		PROD FAM:	CM&R Compression
		PROJECT #:	--
		DOCUMENT TYPE:	Sales
		REL LEVEL:	Released
		SCALE:	NTS
		DRAWING NO:	10099178
		REV:	K
		SHEET:	9 OF 9

REV: PE0200