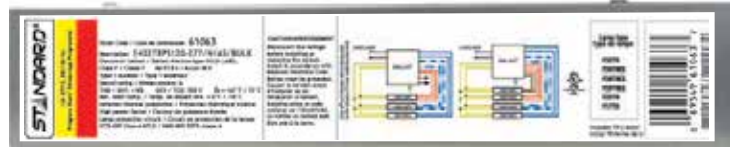


ORDERING INFORMATION

Order code: 61063
 Description: E432T8PS120-277/N/AS/BULK
 UPC: 69549610637



SPECIFICATIONS

Ballast type: Electronic
Starting method: Program Start
Lamp connection: Parallel
Input voltage (V): 120-277
Input frequency (Hz): 50/60
Max. case temperature: 75 °C
Thermal protection: Class P

Type: 1 Outdoor
Contains PCBs: No
Sound rating: A
Open current voltage (OCV) (V): 550
Inherent thermal protection: Yes
Lamp protection circuit: Yes
ICES-005 Compliant: Class A RFLD
Auto-restrike: Yes



Lamp type	Number of lamps	Rated lamp watts	Min. start temp. (°F / °C)	Input current (A)	Input power (ANSI watts)	Ballast factor	Max THD (%)	Power factor	Max. lamp current crest factor	B.E.F.
120 VOLTS										
F32T8 (32W)	4	32	0/-18	0.94	110	0.87	10	0.99	1.7	0.79
F32T8/ES (30W)	4	30	32/0	0.87	104	0.87	10	0.99	1.7	0.84
F32T8/ES (28W)	4	28	32/0	0.83	97	0.87	10	0.99	1.7	0.90
F32T8/ES (25W)	4	25	32/0	0.72	90	0.87	10	0.99	1.7	0.97
F25T8 (25W)	4	25	0/-18	0.67	85	0.91	10	0.99	1.7	1.07
F17T8 (17W)	4	17	0/-18	0.48	60	0.92	15	0.99	1.7	1.53
F32T8 (32W)	3	32	0/-18	0.74	89	0.94	10	0.99	1.7	1.06
F32T8/ES (30W)	3	30	32/0	0.67	80	0.94	10	0.99	1.7	1.18
F32T8/ES (28W)	3	28	32/0	0.63	76	0.94	10	0.99	1.7	1.24
F32T8/ES (25W)	3	25	32/0	0.59	71	0.94	10	0.99	1.7	1.32
F25T8 (25W)	3	25	0/-18	0.56	67	0.98	10	0.99	1.7	1.46
F17T8 (17W)	3	17	0/-18	0.42	49	1.00	15	0.99	1.7	2.04

WARRANTY:

Ballast warranty of 5 years for electronic ballast 75 °C. Ballast warranty of 3 years for electronic ballast 90 °C.
 For more information visit our website.

Data is based upon tests performed in a controlled environment and representative of relative performance.
 Actual performance can vary depending on operating conditions. Specifications are subject to change without notice.
 March 9, 2015

ORDERING INFORMATION

Order code: 61063
 Description: E432T8PS120-277/N/AS/BULK
 UPC: 69549610637

Lamp type	Number of lamps	Rated lamp watts	Min. start temp. (°F / °C)	Input current (A)	Input power (ANSI watts)	Ballast factor	Max THD (%)	Power factor	Max. lamp current crest factor	B.E.F.
230 VOLTS										
F32T8 (32W)	4	32	0/-18	0.46	110	0.87	10	0.99	1.7	0.79
F32T8/ES (30W)	4	30	32/0	0.46	104	0.88	10	0.99	1.7	0.85
F32T8/ES (28W)	4	28	32/0	0.44	97	0.88	10	0.99	1.7	0.91
F32T8/ES (25W)	4	25	32/0	0.38	90	0.87	15	0.99	1.7	0.97
F25T8 (25W)	4	25	0/-18	0.36	85	0.91	15	0.99	1.7	1.07
F17T8 (17W)	4	17	0/-18	0.27	60	0.92	15	0.98	1.7	1.53
F32T8 (32W)	3	32	0/-18	0.40	89	0.95	15	0.99	1.7	1.07
F32T8/ES (30W)	3	30	32/0	0.36	80	0.95	10	0.99	1.7	1.19
F32T8/ES (28W)	3	28	32/0	0.34	76	0.95	10	0.99	1.7	1.25
F32T8/ES (25W)	3	25	32/0	0.33	71	0.95	15	0.98	1.7	1.34
F25T8 (25W)	3	25	0/-18	0.31	67	0.98	15	0.98	1.7	1.46
F17T8 (17W)	3	17	0/-18	0.23	49	1.00	20	0.97	1.7	2.04
277 VOLTS										
F32T8 (32W)	4	32	0/-18	0.40	109	0.87	10	0.99	1.7	0.80
F32T8/ES (30W)	4	30	32/0	0.38	103	0.88	10	0.99	1.7	0.85
F32T8/ES (28W)	4	28	32/0	0.37	96	0.88	10	0.99	1.7	0.92
F32T8/ES (25W)	4	25	32/0	0.33	90	0.88	15	0.98	1.7	0.98
F25T8 (25W)	4	25	0/-18	0.30	85	0.92	15	0.98	1.7	1.08
F17T8 (17W)	4	17	0/-18	0.24	59	0.93	25	0.95	1.7	1.58
F32T8 (32W)	3	32	0/-18	0.33	91	0.96	15	0.98	1.7	1.05
F32T8/ES (30W)	3	30	32/0	0.30	83	0.96	10	0.99	1.7	1.16
F32T8/ES (28W)	3	28	32/0	0.29	78	0.96	10	0.99	1.7	1.23
F32T8/ES (25W)	3	25	32/0	0.27	71	0.96	15	0.98	1.7	1.35
F25T8 (25W)	3	25	0/-18	0.27	71	0.99	25	0.95	1.7	1.39
F17T8 (17W)	3	17	0/-18	0.21	53	1.01	35	0.95	1.7	1.91

WARRANTY:

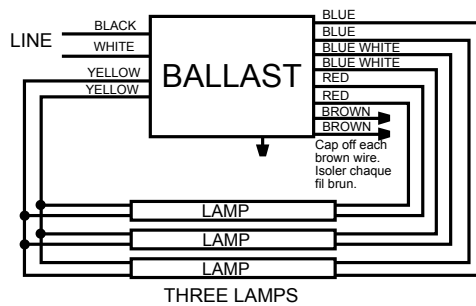
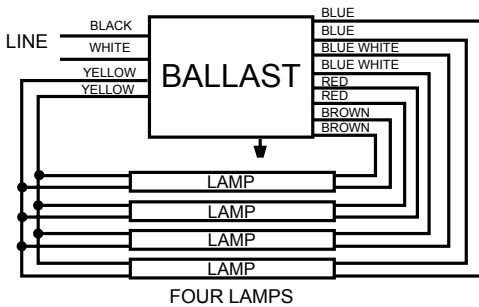
Ballast warranty of 5 years for electronic ballast 75 °C. Ballast warranty of 3 years for electronic ballast 90 °C.
 For more information visit our website.

Data is based upon tests performed in a controlled environment and representative of relative performance.
 Actual performance can vary depending on operating conditions. Specifications are subject to change without notice.
 March 9, 2015

ORDERING INFORMATION

Order code: 61063
 Description: E432T8PS120-277/N/AS/BULK
 UPC: 69549610637

WIRING DIAGRAM

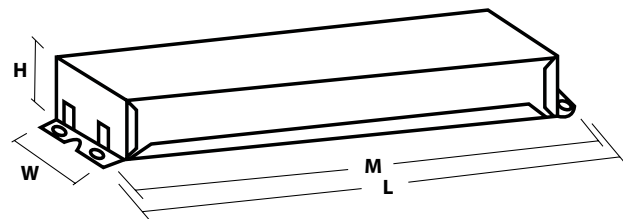


LEADS LENGTH

Black	18.8" (48.0 cm)
White	18.8" (48.0 cm)
Blue	30.9" (78.5 cm)
Red	30.9" (78.5 cm)
Yellow	46.4" (118.0 cm)
Blue/White	30.9" (78.5 cm)
Brown	30.9" (78.5 cm)

BALLAST DIMENSIONS

Length (L):	9.50" (24.10 cm)
Width (W):	1.70" (4.30 cm)
Height (H):	1.14" (2.90 cm)
Mounting (M):	8.91" (22.63 cm)



WARRANTY:

Ballast warranty of 5 years for electronic ballast 75 °C. Ballast warranty of 3 years for electronic ballast 90 °C. For more information visit our website.

Data is based upon tests performed in a controlled environment and representative of relative performance. Actual performance can vary depending on operating conditions. Specifications are subject to change without notice. March 9, 2015