

PRODUCT INFORMATION PACKET

Model No: 056C17W5327
Catalog No: N523
1/2,1800,TEFC,56C,1/60/115/208-230
Washdown Duty



Regal and Marathon are trademarks of Regal Beloit Corporation or one of its affiliated companies.
©2018 Regal Beloit Corporation, All Rights Reserved. MC017097E



Nameplate Specifications

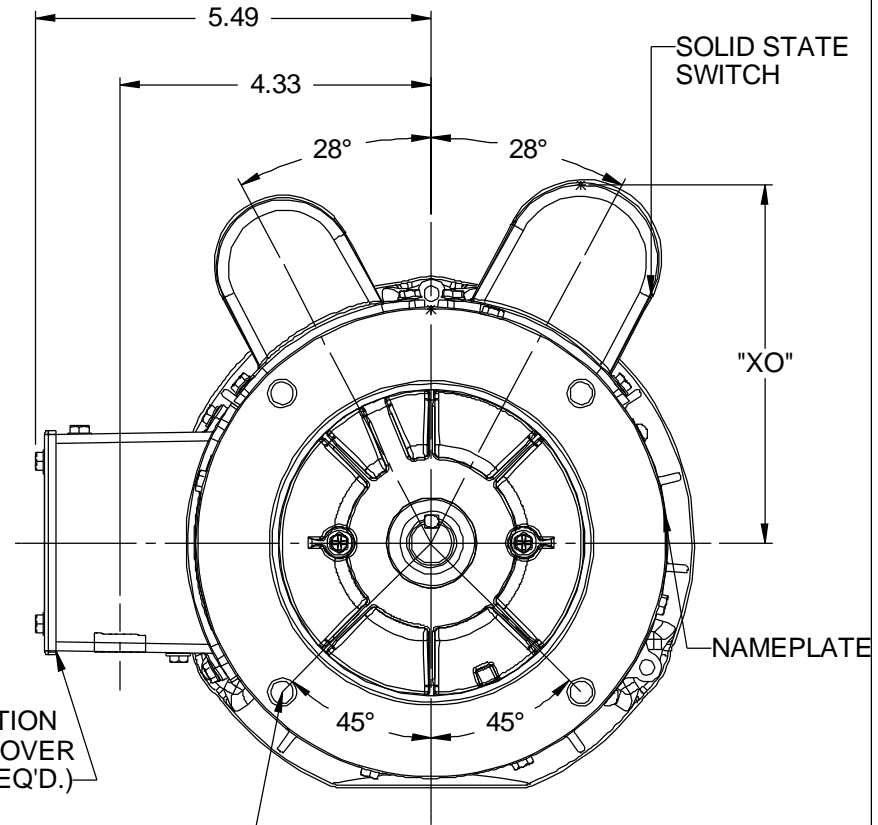
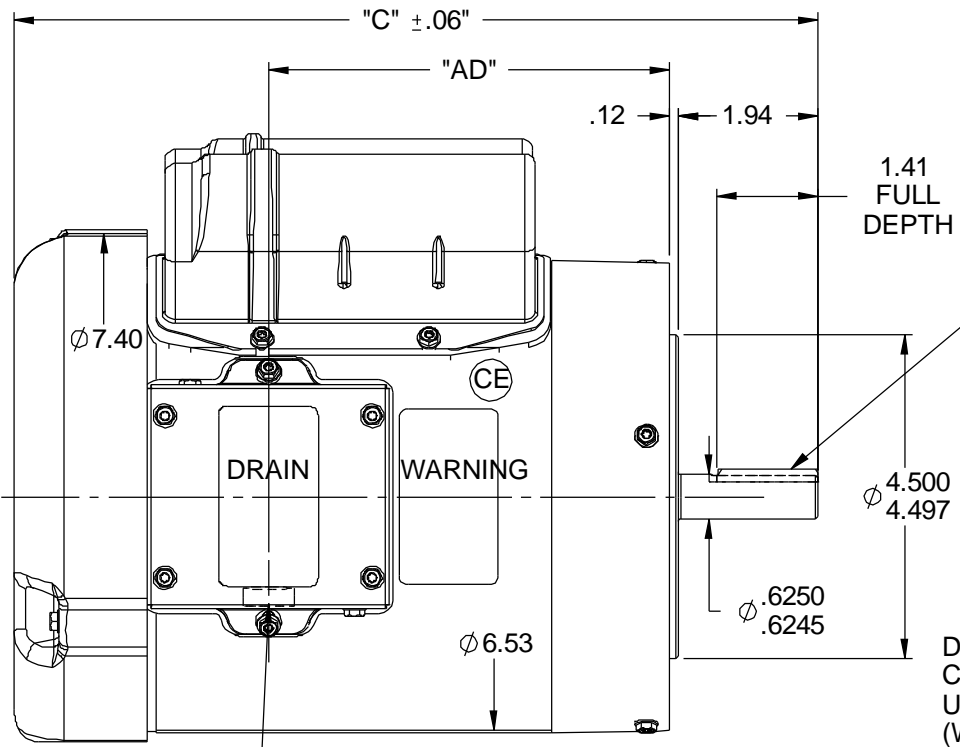
Output HP	0.50 Hp	Output KW	0.37 kW
Frequency	60 Hz	Voltage	115/208-230 V
Current	8.8/4.4 A	Speed	1725 rpm
Service Factor	1.15	Phase	1
Efficiency	66 %	Duty	Continous
Insulation Class	F	Design Code	L
KVA Code	L	Frame	56C
Enclosure	Totally Enclosed Fan Cooled	Overload Protector	No
Ambient Temperature	40 °C	Drive End Bearing Size	6205
Opp Drive End Bearing Size	6203	UL	Recognized
CSA	Y	CE	Y
IP Code	55		

Technical Specifications

Electrical Type	Capacitor Start Induction Run	Starting Method	Across The Line
Poles	4	Rotation	Selective Counterclockwise
Mounting	Round	Motor Orientation	Horizontal Or Shaft Down
Drive End Bearing	Ball	Opp Drive End Bearing	Ball
Frame Material	Rolled Steel	Shaft Type	NEMA 56
Overall Length	11.16 in	Frame Length	5.50 in
Shaft Diameter	0.625 in	Shaft Extension	1.93 in
Assembly/Box Mounting	F1 Only		
Outline Drawing	028843-550B	Connection Diagram	005278.01ME

This is an uncontrolled document once printed or downloaded and is subject to change without notice. Date Created: 06/28/2018

This document is the property of REGAL BELOIT CORPORATION ("RBC") including its subsidiaries and divisions and contains proprietary information of RBC. This document is loaned on the express condition that neither it nor the information contained therein shall be disclosed to others without the express written consent of RBC, and that the information shall be used by the recipient only as approved expressly by RBC. This document shall be returned to RBC upon its request. This document may be subject to certain restrictions under U.S. export control laws and regulations.



(1) 1/2-14 NPT (PLUGGED)

DASH NO.	"C"	"AD"
450	10.16	4.57
500	10.66	5.07
550	11.16	5.57
600	11.66	6.07
650	12.16	6.57
700	12.66	7.07

CAP. DASH	"XO"
A	4.33
B	4.78
C	5.00

SPECIAL FEATURES:

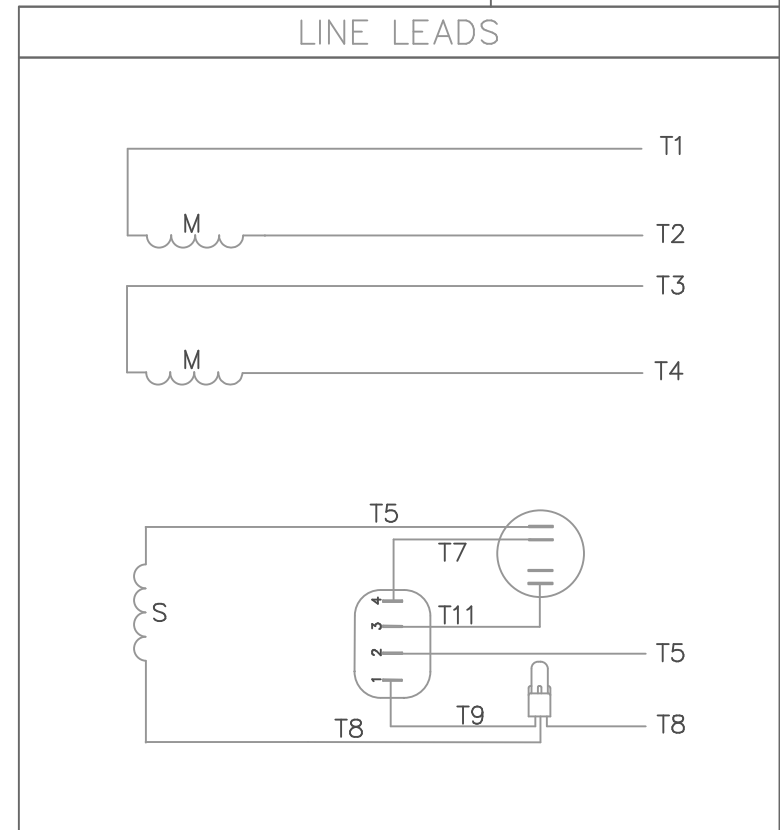
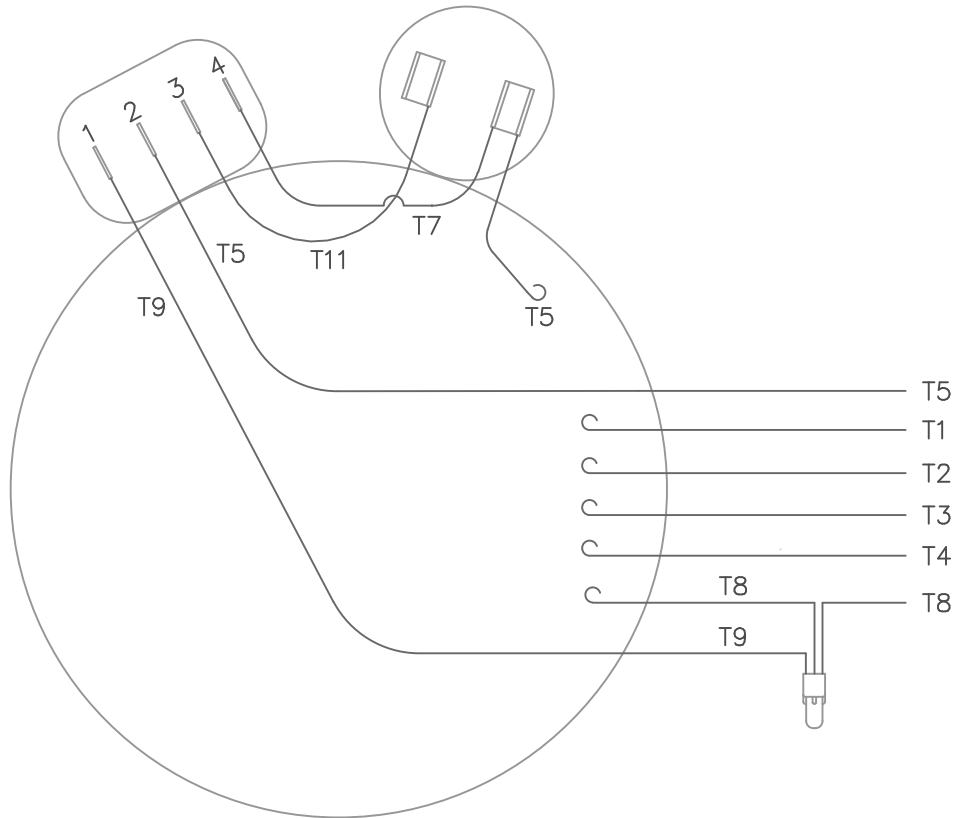
- 1) SHAFT SEALS & V-RING
- 2) DRAIN HOLES IN BOTH ENDBELLS & CONDUIT BOX
- 3) GASKETS THROUGHOUT
- 4) STAINLESS STEEL SHAFT, HARDWARE, & NAMEPLATE

DECAL-CONNECTION UNDER COVER (WHEN REQ'D.)

MAXIMUM FACE RUNOUT .004 T.I.R.
 MAXIMUM PILOT ECCENTRICITY .004 T.I.R.
 PERMISSIBLE SHAFT RUNOUT .002 T.I.R.

		TOLERANCES UNLESS SPECIFIED		MARATHON ELECTRIC	DRAWN LST 6/2/08	
		DEC	INCHES		CHK	
		.X	±.1		APPR <td></td>	
		.XX	±.03		SCALE 3:8	
		.XXX	±.005	TITLE OUTLINE 56C FRAME TEFC "C" FACE	REF	
01	UPDATE PER ECR-0034519	LST 4/26/2013	XX .XXX ±.0005	MAT'L WASHGUARD	FMF	
NO	REVISION	BY & DATE	CHK ANG ±1/2°	FINISH	PAGE	OF
			RFP	PREV		
THIRD ANGLE PROJECTION				SIZE	DRAWING NO	REV
				A	028843	01

VIEW FROM OUTSIDE OF MOTOR AT SWITCH END



	ROTATION FACING LEAD END	L1	L2	JOIN & INSULATE
HIGH VOLT	C.C.W.	T1	T4 T5	T2,T3 T8
	C.W.	T1	T4 T8	T2,T3 T5
LOW VOLT	C.C.W.	T1,T3 T8	T2,T4 T5	
	C.W.	T1,T3 T5	T2,T4 T8	

		TOLERANCES UNLESS SPECIFIED			DRAWN RDW 04/18/02	
		DEC.	INCHES		CHK	
		.X	±.1		APPD KMM 04/18/02	
		.XX	±.01		SCALE 1=1	
		.XXX	±.005		REF	
		.XXXX	±.0005	MAT'L. DECAL - 004012		
NO.	REVISION	BY & DATE	CHK	ANG ±1/2'	FINISH	FMF
THIS DRAWING IN DESIGN AND DETAIL IS OUR PROPERTY AND MUST NOT BE USED EXCEPT IN CONNECTION WITH OUR WORK ALL RIGHTS OF DESIGN AND INVENTION ARE RESERVED THIS IS AN ELECTRONICALLY GENERATED DOCUMENT - DO NOT SCALE THIS PRINT			RFP 04/18/02	CAD FILE 00527801ME	SIZE A	DRAWING NO. 005278-01ME
			DIST			REV.

CERTIFICATION DATA SHEET

Model#: 56C17W5327 A WINDING#: C634257 FR 3
 CONN. DIAGRAM: 005278.01ME ASSEMBLY: F1 ONLY
 OUTLINE: 028843-550

TYPICAL MOTOR PERFORMANCE DATA

HP	KW	SYNC. RPM	F.L. RPM	FRAME	ENCLOSURE	KVA CODE	DESIGN
1/2	.37	1800	1725	56C	TEFC	L	L

PH	Hz	VOLTS	FL AMPS	START TYPE	DUTY	INSL	S.F	AMB°C	ELEVATION
1	60	115/208-230	8.8/4.4	ACROSS THE LINE	CONTINUOUS	F4	1.15	40	3300

FULL LOAD EFF: 66	3/4 LOAD EFF: 59.3	1/2 LOAD EFF: 50.7	GTD. EFF	ELEC. TYPE	NO LOAD AMPS
FULL LOAD PF: 58	3/4 LOAD PF: 51.7	1/2 LOAD PF: 42.9	0	CAP START IND RUN	7.4 / 3.7

F.L. TORQUE	LOCKED ROTOR AMPS	L.R. TORQUE	B.D. TORQUE	F.L. RISE°C
24 LB-FT	40.6 / 20.3	86.4 LB-FT 357	67.3 LB-FT 272	-

SOUND PRESSURE @ 3 FT.	SOUND POWER	ROTOR WK^2	MAX. WK^2	SAFE STALL TIME	STARTS /HOUR	APPROX. MOTOR WGT
52 dBA	62 dBA	0.06 LB-FT^2	- LB-FT^2	10 SEC.	-	0 LBS.

***** SUPPLEMENTAL INFORMATION *****

DE BRACKET TYPE	ODE BRACKET TYPE	MOUNT TYPE	ORIENTATION	SEVERE DUTY	HAZARDOUS LOCATION	DRIP COVER	SCREENS	PAINT
C-FACE	STANDARD	ROUND	HORIZONTAL OR SHAFT DOWN	FALSE	NONE	FALSE	NONE	WHITE - LEESON (EPOXY)

BEARINGS		GREASE	SHAFT TYPE	SPECIAL DE	SPECIAL ODE	SHAFT MATERIAL	FRAME MATERIAL
DE	OPE	POLYREX EM	STANDARD 56	NONE	NONE	303 STAINLESS (C-501)	ROLLED STEEL
BALL	BALL						
6205	6203						

THERMO-PROTECTORS				THERMISTORS	CONTROL	SPACE /n HEATERS
THERMOSTATS	PROTECTORS	WDG RTDs	BRG RTDs	NONE	FALSE	NONE VOLTS
NONE	NOT	NONE	NONE			

If Inverter equals NONE, contact factory for further information

*
N
O
T
E
S
*

INVERTER TORQUE: NONE
INV. HP SPEED RANGE: NONE
ENCODER: NONE
NONE NONE
NONE NONE PPR
BRAKE: NONE NONE
NONE P/N NONE
NONE NONE
NONE FT-LB NONE V NONE Hz