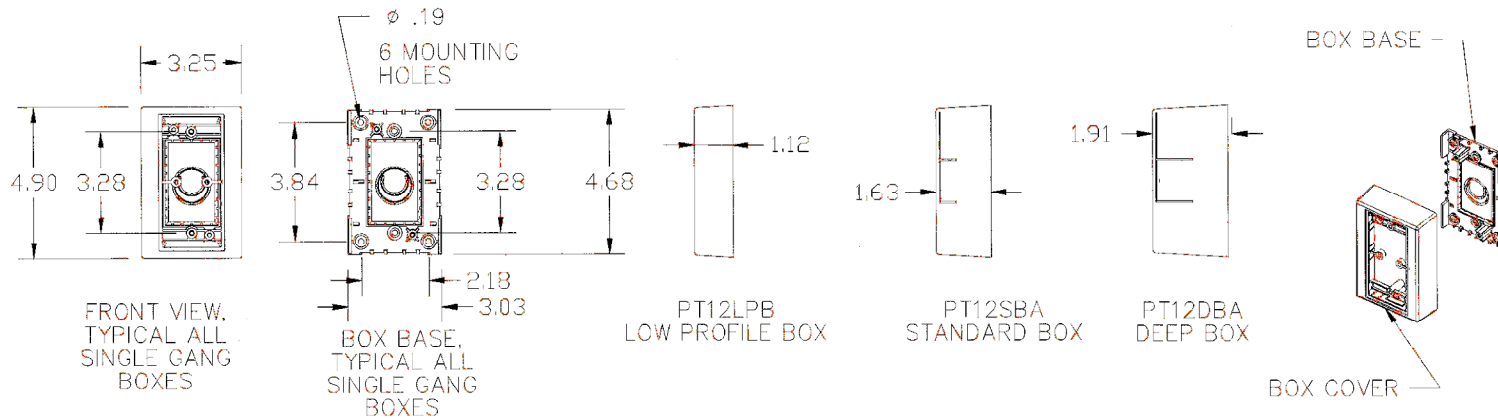
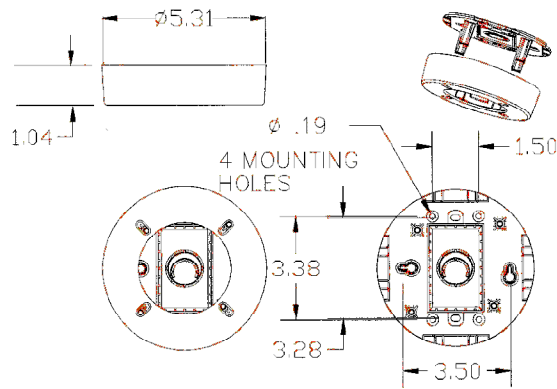


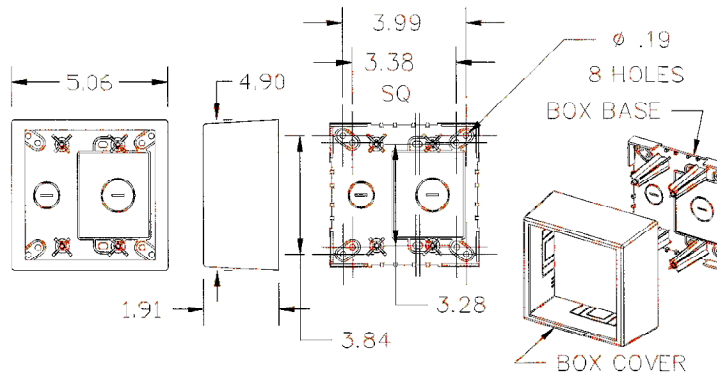
M-9299 1



SINGLE GANG BOXES



PT12LFB
LIGHT FIXTURE BOX



PT12TGB - TWO GANG BOX, LOW VOLTAGE

LIST OF PARTS

DESCRIPTION	MATERIAL	FINISH
DEVICE BOX BASE, SINGLE	PVC	OFFICE WHITE
DEVICE BOX COVER, SINGLE	PVC	OFFICE WHITE
DEVICE BOX BASE, TWO GANG	PVC	OFFICE WHITE
DEVICE BOX COVER, TWO GANG	PVC	OFFICE WHITE
LIGHT FIXTURE BASE	PPO	WHITE
LIGHT FIXTURE COVER	PVC	OFFICE WHITE

1	RELEASED PER DCN 11659	MYA	2/23/04
SYM	REVISIONS	APP	DATE

THE DESIGN AND DIMENSIONS OF THE PRODUCT SHOWN ON THIS DRAWING ARE SUBJECT TO CHANGE WITHOUT NOTICE

TITLE

TOLERANCES UNLESS OTHERWISE SPECIFIED FRACTIONS ±/64 DECIMALS ±.005 ANGLES ±2°	WIRING DEVICE—KELLEYS HUBBELL INCORPORATED BRIDGEPORT, CT	
	DR. BY MYA	APP. BY
	TR. BY	SCALE
	CHK'D BY	DATE 2/23/04

DIMENSION SHEET FOR CAT. NO.

REPAIRABLE NON-REPAIRABLE

B

M-9299