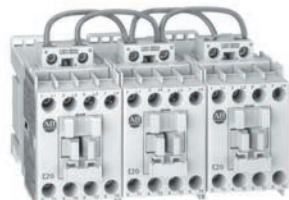


IEC AC Electrically Held Lighting Contactors

Product Overview/Product Selection



Bulletin 100L Electrically Held Lighting Contactors

- Electrically held
- 20 A rating
- 4-, 8-, and 12-pole configurations
- Open or enclosed
- CSA Certified, cULus Listed

Bulletin 100L lighting contactors have been designed to control a variety of lighting loads. The product offering includes 4-, 8-, and 12-pole contactors with or without enclosures. The Bulletin 100L line of lighting contactors has been designed with a 20 A rating for all popular lighting loads and other non-motor applications including tungsten filament lighting loads, electric discharge (fluorescent) loads, electric furnaces, and electric water heaters. In addition these contactors have been designed to meet the requirements of both CSA and UL.

Your order must include: cat. no. of the contactor specified with coil voltage code and, if required, cat. no. of any accessories

Table of Contents

Product Selection..... this page
 Specifications..... this page
 Wiring Diagram..... this page
 Approximate Dimensions..... 6-5

Standards Compliance

CSA C22.2, No. 14
 UL 508
 Meets the material restrictions for European Directive 2002/95/IEC-EU-RoHS

Certifications

CE Marked
 cULus Listed (File No. E14843; Guide NRNT, NRNT7)

Product Selection

Enclosure Type Rating	No. of Poles*	Cat. No.
Open	4	100L-C20NØ4
	8	100L-C20NØ8
	12	100L-C20NØ12
IP42 (Type 1) (with lift-off cover)	4	100L-C20AØ4
	8	100L-C20AØ8
	12	100L-C20AØ12
IP66 (Type 3/4/12) (with hinged cover)	4	100L-C20FØ4
	8	100L-C20FØ8
	12	100L-C20FØ12

* These contactors do not include an auxiliary hold-in contact. If a hold-in contact is required it can be ordered by adding a suffix **-90** to the cat. no. Example: **Cat. No. 100L-C20NJ4-90**.

⊗ Coil Voltage Code

The cat. no. as listed is incomplete. To complete the cat. no., select a coil voltage code from the chart below and insert into the cat. no. Example: **Cat. No. 100L-C20NØ4** becomes **Cat. No. 100L-C20NJ4**. For other voltages, consult your local Rockwell Automation sales office or Allen-Bradley distributor.

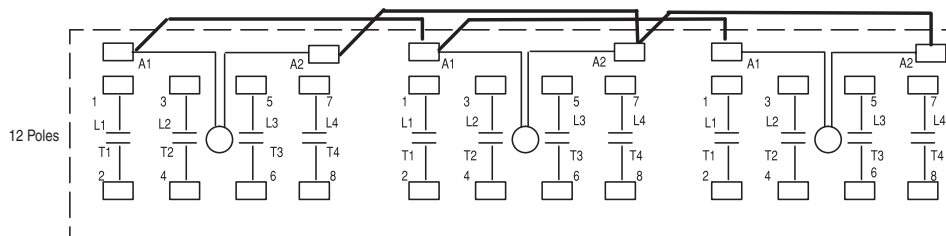
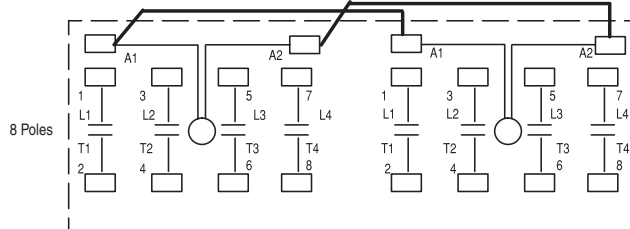
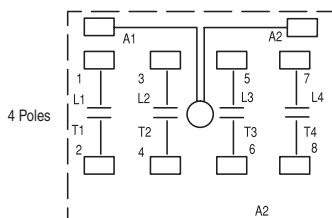
[V]	24	48	110	120	208	220	240	277	347	380... 400	415	440	480	500	600
AC, 50Hz	K	Y	D	P	—	A	T	—	—	N	G	B	—	M	—
AC, 60Hz	J	X	—	D	H	L	A	T	I	—	—	N	B	—	C

Specifications Ratings

Type of Load	Max. Current [A]	Max. AC Volts, Poles to Load*	
		1 for 1Ø	3 for 3Ø
Tungsten	20	277	480Y/277V
	15	347	600Y/347V
Ballast	20	277	480Y/277V
	15	347	600Y/347V
General Use Resistance Heating	30	600	600

* 20 A, 250V DC max. with 3 poles in series.

Wiring Diagrams

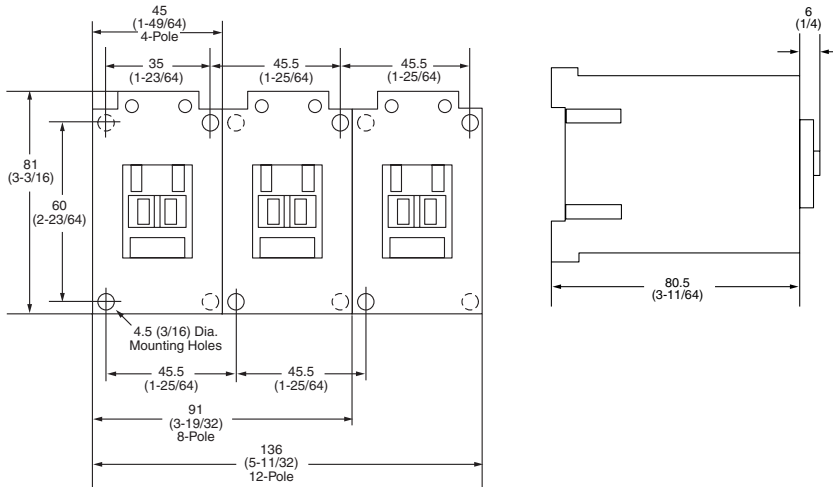


IEC AC Electrically Held Lighting Contactors

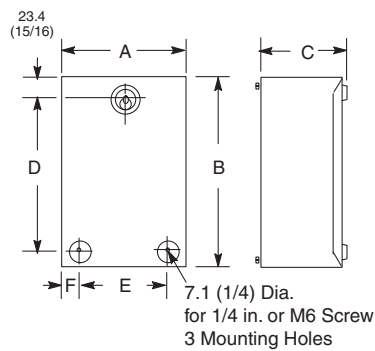
Approximate Dimensions

Dimensions are shown in millimeters (inches). Dimensions are not intended for manufacturing purposes.

Open Type



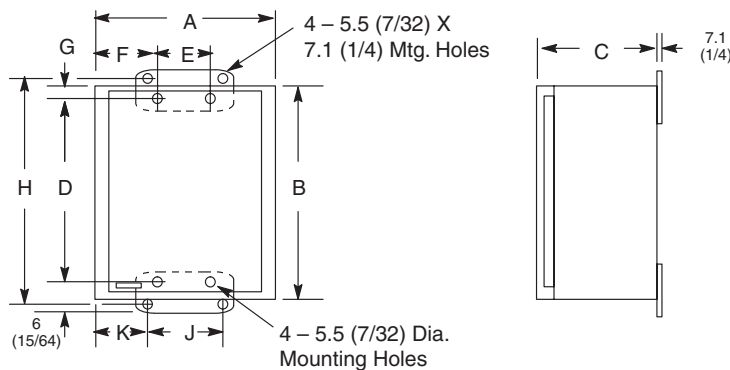
IP42 (Type 1)



Cat. No.	A Wide	B High	C Deep	D	E	F
100L-C20A@4	140 (5-1/2)	220 (8-21/32)	152 (5-31/32)	175 (6-7/8)	95 (3-3/4)	22.5 (7/8)
100L-C20A@8	235 (9-1/4)	220 (8-21/32)	152 (5-31/32)	175 (6-7/8)	190 (7-1/2)	22.5 (7/8)
100L-C20A@12	270 (10-5/8)	290 (11-7/16)	152 (5-31/32)	245 (9-21/32)	225 (8-7/8)	22.5 (7/8)

6

IP66 (Type 3/4/12)



Cat. No.	A Wide	B High	C Deep	D	E	F	G	H	J	K
100L-C20F@4	200 (7-7/8)	300 (11-13/16)	160 (6-5/16)	236 (9-9/32)	76 (3)	62 (2-7/8)	17.5 (11/16)	313 (12-5/16)	105 (4-1/8)	47.5 (1-7/8)
100L-C20F@8	250 (9-27/32)	250 (9-27/32)	160 (6-5/16)	186 (7-5/16)	76 (3)	87 (3-7/16)	17.5 (11/16)	263 (10-3/8)	105 (4-1/8)	72.5 (2-7/8)
100L-C20F@12	300 (11-13/16)	300 (11-13/16)	160 (6-5/16)	236 (9-9/32)	76 (3)	61 (2-13/32)	17.5 (11/16)	313 (12-5/16)	206 (8-1/8)	47 (1-27/32)