



Allen-Bradley Bulletin 1370 Dynamic Braking Resistors

Installation Data

Objective

The objective of this publication is to supply you with the dimensions and connection diagrams for Bulletin 1370 Dynamic Braking Resistors.

Description

Dynamic Braking is an optional control function which facilitates motor stopping under fault conditions or in response to a Coast/DB Stop.

Dynamic braking will not provide a holding brake function and is only effective when the motor is rotating.

The resistors are sized for an external inertia equal to two or three times the motor inertia and are suitable for three successive DB stops per hour from maximum speed.

A drive must be furnished with a normally closed M contactor pole in order to use dynamic braking.

Dimension and Connection Diagram

Using Table A, locate the correct armature voltage, HP rating and DB Kit catalog number. Follow across the table for reference to the appropriate dimension and connection diagram.

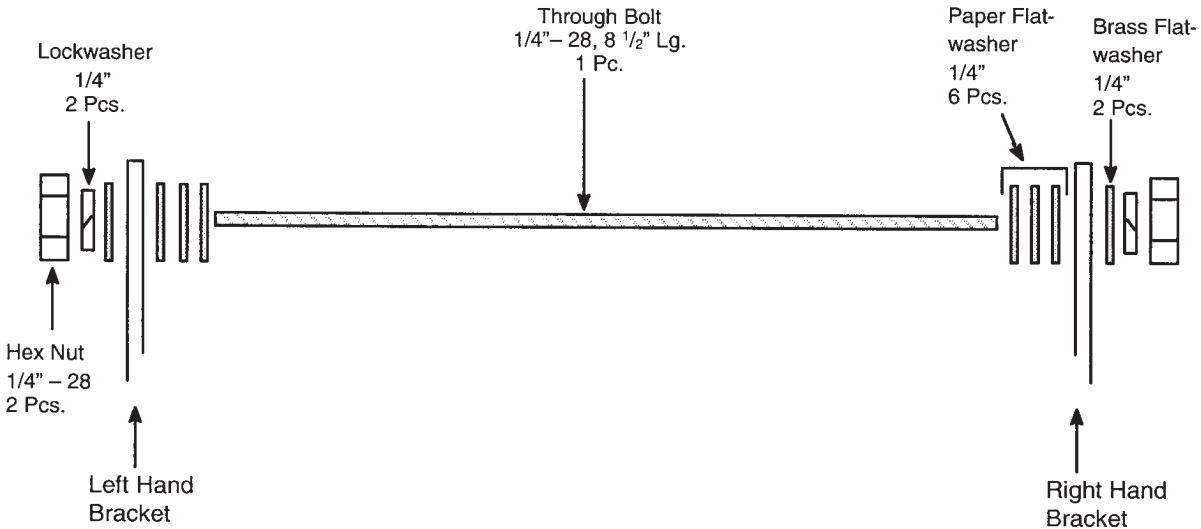
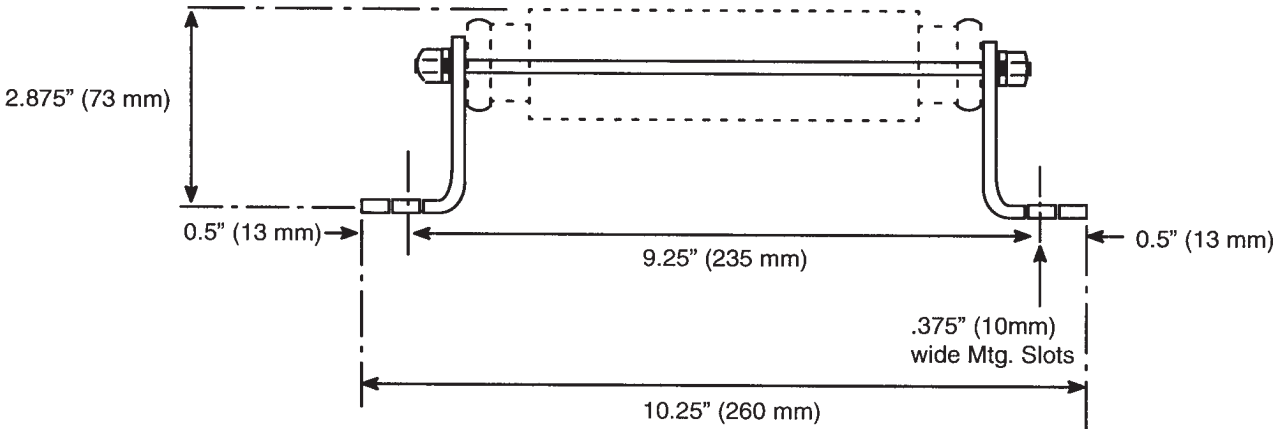
Table A
Dynamic Braking Resistor Kits

240 VDC Motor Armature Voltage

HP	Basic Catalog Number	Dimension Drawing	Connection Diagram	Watts	Ohms, Watts Per Resistor
1	1370-DBL61	A	1	325	36.0
1.5	1370-DBL62	A	1	420	2.0
2	1370-DBL63	A	1	420	2.0
3	1370-DBL64	A	1	420	15.0
5	1370-DBL65	A	1	420	8.6
7.5	1370-DBL66	A	1	345	6.0
10	1370-DBL67	A	1	330	5.0
15	1370-DBL68	A	1	385	5.5
20	1370-DBL69	A	1	345	2.6
25	1370-DBL70	A	1	330	2.0
30	1370-DBL71	A	1	330	2.0
40	1370-DBL72	B	2	560	0.7, 280W
50	1370-DBL73	B	2	730	0.5, 365W
60	1370-DBL74	B	2	730	0.5, 365W
75	1370-DBL75	C	3	990	2.0, 330W
100	1370-DBL76	C	3	870	1.4, 280W

DBL 61 to 71 Approximate Box Dimensions and Weight: 11 Inches Wide x 9 Deep x 5 High, 2.5 Pounds
 DBL 72 to 74 Approximate Box Dimensions and Weight: 12 Inches Wide x 11 Deep x 7 High, 4.5 Pounds
 DBL 75 and 76 Approximate Box Dimensions and Weight: 12 Inches Wide x 11 Deep x 7 High, 5.5 Pounds

Figure 1
Drawing A



Dimensions in inches (mm).

Figure 4
Connection Diagram 1

