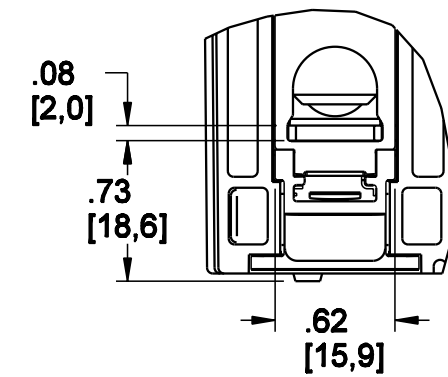
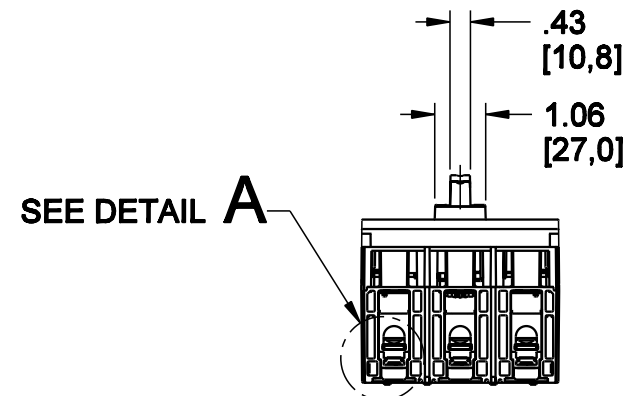


ISOMETRIC VIEW
SCALE 1:2



DETAIL A
SCALE 1:1

"THE SQUARE D COMPANY HAS PROPRIETARY RIGHTS TO THE INFORMATION CONTAINED HEREON. THIS INFORMATION REMAINS THE PROPERTY OF SQUARE D COMPANY AND MAY BE USED ONLY IN CONFORMANCE WITH INSTRUCTIONS ISSUED BY SQUARE D CO. USER SHOULD VERIFY DRAWINGS ARE TO THE LATEST/CURRENT REVISION PRIOR TO INCORPORATING IN A DESIGN FILE."

CATALOG NUMBER:

DESCRIPTION: H-Frame 15A - 150A 3P Toggle Lug-Lug

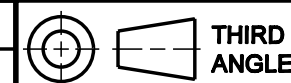
DRAWN BY: LRG DATE: 12AUG2003

CHECKED BY: RLS DATE: 11MAR2004

DRAWING FILE: 48996-012-01 .DRW

ECN: J582

DO NOT SCALE DRAWING
UNLESS OTHERWISE SPECIFIED
DIMENSIONS ARE
 $\frac{\text{IN}}{\text{mm}}$



SQUARE D
Schneider Electric

DRAWING NUMBER 48996-012-01

REVISION
0