

RFI

Commercial Fan Heater



Features

Color

- Standard: white.

Finish

- Standard: epoxy/polyester powder paint.

Voltage

- 208V, 240/208V, 1-phase.

Construction

- 20-gauge steel front cover and housing.
- High-limit temperature control with automatic reset.
- Pilot light comes on if the heater is overheating.

Fan

- Closed, factory-lubricated motor.
- 160 cfm fan.
- Fan delay purges heater of residual heat.

Heating element

- Durable tubular heating element with fins.

Control

- Built-in double-pole thermostat included with control knob.
- The thermostat access door can be secured to the front panel for tamperproof or remote-control operation.

For a ceiling mount installation Global Commander highly recommends the use of a wall thermostat for superior temperature control.

Note: If an electronic thermostat is used, it must be compatible with forced-air heaters.

Installation

- Wall or ceiling installation.
- Minimum clearance from the floor: 12 in. (30.5 cm).
- Minimum clearance from any vertical surface for ceiling mount applications: 6 in. (15 cm).
- Adaptor for surface mounting available.
- Adaptor for T-Bar ceiling available.

Warranty

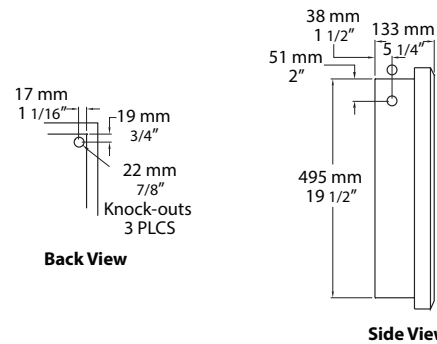
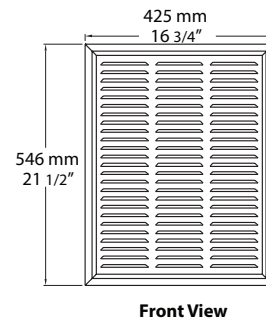
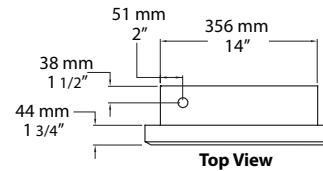
- 1-year warranty against defects.

Application

- Apartment building, commercial building, entrance way, stairwell, garage.

Models

Product # ¹	Volts (ph)	Watts	cfm	Weight	
				lb	kg
RFI840D21W	208 (1)	4000	160	28.0	12.7
RFI815D31W	240/208 (1)	1500/1125 ²	160		
RFI820D31W	240/208 (1)	2000/1500 ²	160		
RFI830D31W	240/208 (1)	3000/2250 ²	160		
RFI840D31W	240/208 (1)	4000/3000 ²	160		
RFI848D31W	240/208 (1)	4800/3600 ²	160		



Options

Product # Kit	Description
RFITF	Adaptor for T-bar ceiling installation, white
RFP8DW	Surface mounting box, white

¹ Built-in double-pole thermostat included with control knob or tamperproof.

² 208V = 75% of wattage at 240V.

Standard color is white.