



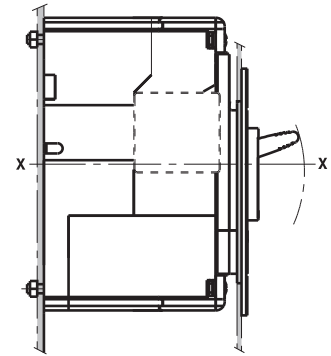
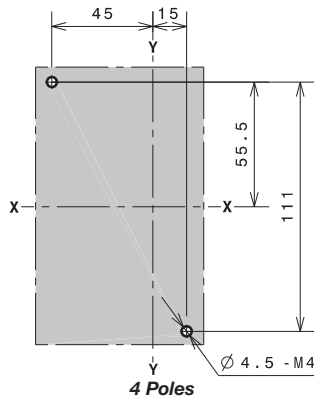
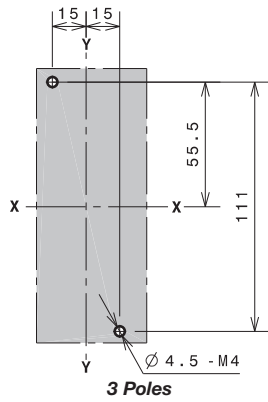
Replacement Parts

	Description	Frame Size	3-Pole Cat. No.	4-Pole Cat. No.	
 <p><i>Representative Photo</i></p>	<p>Replacement End Cap Kits End Caps are supplied as standard for G, H, I, J, K, M, N & NS frames. Provide connections for ring type or bolt-on terminals.</p>	G	140G-G-ECM	140G-G-ECM4	
		H	140G-H-ECM	140G-H-ECM4	
		I	140G-I-ECM	140G-I-ECM4	
		J	140G-J-ECM	140G-J-ECM4	
		K	140G-K-ECM	140G-K-ECM4	
		M	140G-M-ECM	140G-M-ECM4	
		N	140G-N-ECM	140G-N-ECM4	
		H	140G-H-BP3	140G-H-BP4	
		J	140G-J-BP3	140G-J-BP4	
		 <p><i>Representative Photo</i></p>	<p>Insulators Supplied as standard for G, H, I, J, K, and M frames. Provide insulating barrier for MCCB applications, required for all applications with a $U_e > 440V$. Pkg Qty 10.</p>	K	140G-K-BP3
M	140G-M-BP3				140G-M-BP4

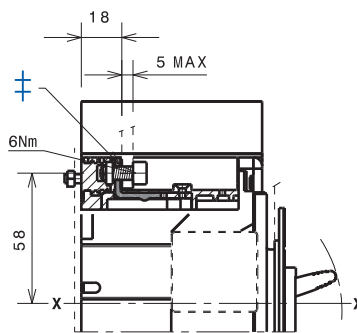
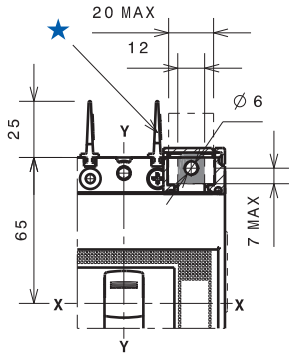
Molded Case Circuit Breakers

Approximate Dimensions — 125 A, H-Frame

Drilling Template for Molded Case Circuit Breaker Mounting



Cat. Nos. 140G-H-ECM, -ECM4 Terminals



- ★ Required 25 mm insulating phase barriers provided
- ⊕ Front terminals for busbar connection