

# ElectriPro Product Specification Sheet

## Hinged Cover Cutout Box (E-Box)

### Application

Designed for use as a surface-mounted junction box, service box, switch box, and cutout box.

### Construction

- 16 gauge or 14 gauge steel
- Butt hinges
- Various sizes of easily removable concentric knockouts on all four sides
- Mounting holes on back of box
- Provision for grounding

### Finish

ANSI 61 gray polyester powder paint finish inside and out over phosphatized surfaces

### Industry Standards

NEMA/EEMAC Type 1

CSA File No. 235537: Type 1

RoHS compliant

## Screw Cover Pull Box (D-Box)

### Application

Designed for use as a junction box and pull box in commercial and general industrial applications.

### Construction

- 16 gauge or 14 gauge steel
- Flat, removable covers fastened with plated steel screws
- Unique keyhole crew slots in the cover permit removal of the cover without extracting the screws
- Various sizes of easily removable concentric knockouts on all four sides
- Mounting holes on back of box
- Provision for grounding

### Finish

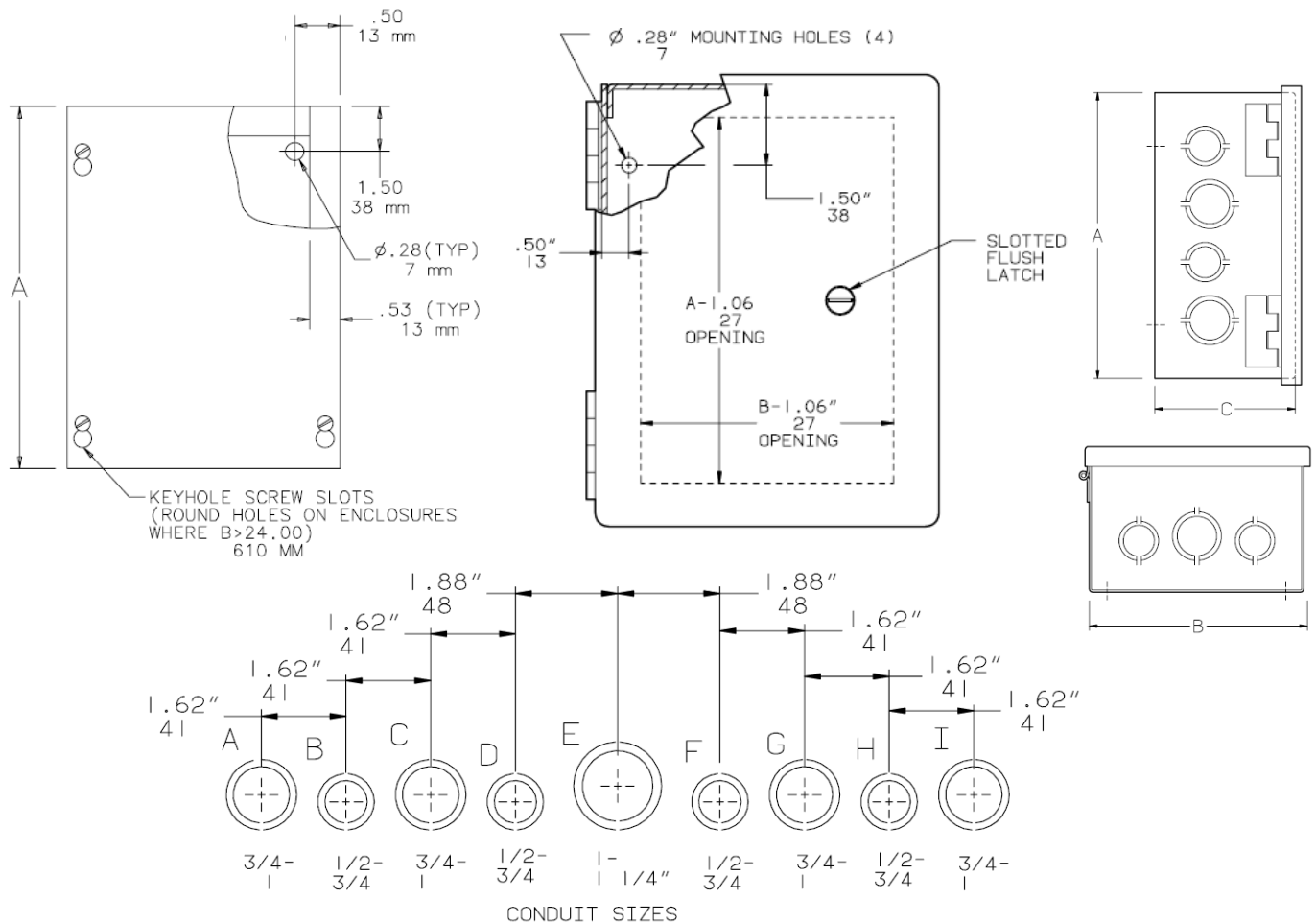
ANSI 61 gray powder paint finish inside and out over galvanized steel

### Industry Standards

NEMA/EEMAC Type 1

CSA File No. 235537: Type 1

RoHS compliant



Part Number	Box Type	Box Size	Number of Cover Screws	Knockout Pattern		Box Weight
		A x B x C in (mm)		"A" Sides	"B" Sides	
<b>Hinged Cover Cutout Boxes</b>						
EPOE6X6X4	E - Hinged	6 x 6 x 4 (152 x 152 x 102)	--	BCD	BCD	3.40 lb
EPOE8X8X4	E - Hinged	8 x 8 x 4 (203 x 203 x 102)	--	FGHI	FGHI	4.90 lb
EPOE10X10X4	E - Hinged	10 x 10 x 4 (254 x 254 x 102)	--	FGHI	CDEFG	6.96 lb
EPOE12X12X4	E - Hinged	12 x 12 x 4 (305 x 305 x 102)	--	CDEFG	CDEFG	8.90 lb
EPOE8X8X6	E - Hinged	8 x 8 x 6 (203 x 203 x 152)	--	FGHI	FGHI	6.56 lb
EPOE10X10X6	E - Hinged	10 x 10 x 6 (254 x 254 x 152)	--	FGHI	CDEFG	8.32 lb
EPOE12X12X6	E - Hinged	12 x 12 x 6 (305 x 305 x 152)	--	CDEFG	CDEFG	10.46 lb
EPOE16X16X6	E - Hinged	16 x 16 x 6 (406 x 406 x 152)	--	BCDEFGH	BCDEFGH	16.02 lb
EPOE18X18X6	E - Hinged	18 x 18 x 6 (457 x 457 x 152)	--	ABCDEFGHI	ABCDEFGHI	18.76 lb
EPOE24X24X6	E - Hinged	24 x 24 x 6 (610 x 610 x 152)	--	ABCDEFGHI	ABCDEFGHI	37.00 lb

**Screw Cover Pull Boxes**

EPOD6X6X3	D - Screw	6 x 6 x 3 (152 x 152 x 76)	2	BCD	BCD	2.60 lb
EPOD6X6X4	D - Screw	6 x 6 x 4 (152 x 152 x 102)	2	BCD	BCD	3.02 lb
EPOD8X8X4	D - Screw	8 x 8 x 4 (203 x 203 x 102)	4	FGHI	FGHI	4.50 lb
EPOD10X10X4	D - Screw	10 x 10 x 4 (254 x 254 x 102)	4	FGHI	CDEFG	6.28 lb
EPOD12X8X4	D - Screw	12 x 8 x 4 (305 x 203 x 102)	4	CDEFG	FGHI	6.14 lb
EPOD12X12X4	D - Screw	12 x 12 x 4 (305 x 305 x 102)	4	CDEFG	CDEFG	8.38 lb
EPOD6X6X6	D - Screw	6 x 6 x 6 (152 x 152 x 152)	2	BCD	BCD	3.84 lb
EPOD8X8X6	D - Screw	8 x 8 x 6 (203 x 203 x 152)	4	FGHI	FGHI	5.56 lb
EPOD10X10X6	D - Screw	10 x 10 x 6 (254 x 254 x 152)	4	FGHI	CDEFG	7.62 lb
EPOD12X12X6	D - Screw	12 x 12 x 6 (305 x 305 x 152)	4	CDEFG	CDEFG	9.86 lb
EPOD16X16X6	D - Screw	16 x 16 x 6 (406 x 406 x 152)	4	BCDEFGH	BCDEFGH	15.34 lb
EPOD18X18X6	D - Screw	18 x 18 x 6 (457 x 457 x 152)	4	ABCDEFGHI	ABCDEFGHI	18.00 lb
EPOD24X24X6	D - Screw	24 x 24 x 6 (610 x 610 x 152)	4	ABCDEFGHI	ABCDEFGHI	36.00 lb
EPOD12X12X8	D - Screw	12 x 12 x 8 (305 x 305 x 203)	4	CDEFG	CDEFG	11.54 lb