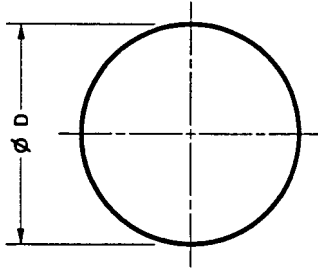
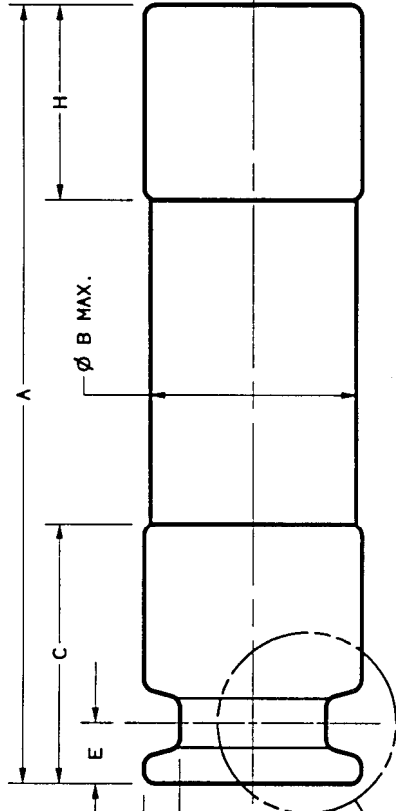
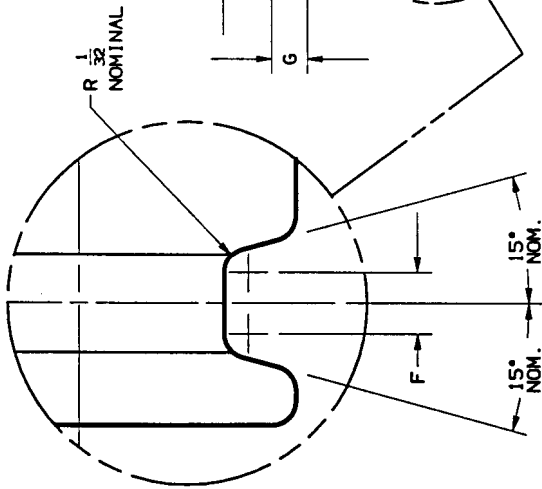


REJECTION GROOVE
DETAIL



CATALOG NUMBER	AMP. RATING	VOLTS	A	Ø B	C	Ø D	E	F	G	H MIN
A2D(AMP RATING)R	0-30	250	2	17/32	.668	9/16	5/32	5/64	.093	.500
A2D(AMP RATING)R	31-60	250	3	25/32	.794	13/16	3/16	3/32	.093	.625
A6D(AMP RATING)R	0-30	600	5	25/32	.794	13/16	3/16	3/32	.093	.500
A6D(AMP RATING)R	31-60	600	5-1/2	1-1/32	.981	1-1/16	1/4	3/32	.093	.625

NOTE: FERRULES PLATED



374 MERRIMAC STREET
NEWBURYPORT, MA 01950

PRODUCT MANAGER

DESIGN ENGINEER

SIGN: *Kent Walden*
DATE: 1/30/92

SIGN: *J. Murray*
DATE: 1/30/92

OUTLINE DIMENSIONS

AMP-TRAP II FUSES CLASS RK1
0-60A 250 & 600V

OUTLINE DIMENSIONS
NOT TO BE USED FOR PRODUCTION

700367