

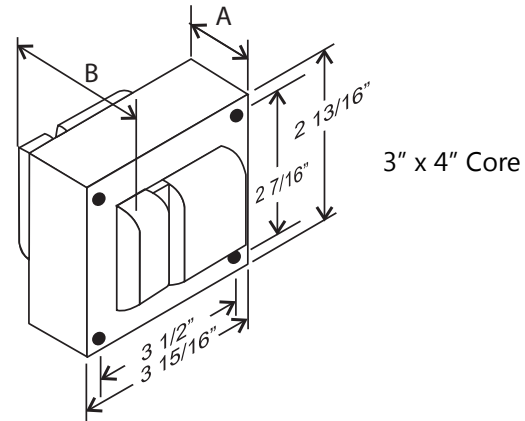
ORDERING INFORMATION

Order code: 10116
 Description: BMH0150/QUADTAP/C/HX/H/K/STD
 UPC: 69549101166



SPECIFICATIONS

Ballast type: Magnetic metal halide
 Ballast style: Core and coil
 Circuit type: HX-HPF
 ANSI code: M102
 Input voltage (V): 120/208/240/277
 Input frequency (Hz): 60
 Line volt regulation: $\pm 5\%$
 Line watt regulation: $\pm 10\%$
 Insulation class: H (180°)



Input voltage (V)	Operating current (A)	Open circuit current (A)	Starting current (A)	Rated lamp watts (W)	Input watts (W)	OCV (V)	Dropout voltage (V)	UL 1029 code	Fuse rating (A)	Input current (A)	Power factor	Starting temperature
120	1.61	3.53	1.43	150	190	260	90	A	10	1.35 - 2.95	0.90	-20°F / -30°C
208	0.97	2.03	0.95	150	190	260	150	A	5	0.75 - 1.75	0.90	-20°F / -30°C
240	0.83	1.75	0.81	150	190	260	175	A	5	0.65 - 0.45	0.90	-20°F / -30°C
277	0.67	1.53	0.65	150	190	260	208	A	4	0.55 - 0.30	0.90	-20°F / -30°C

HIGH POTENTIAL TEST (V)

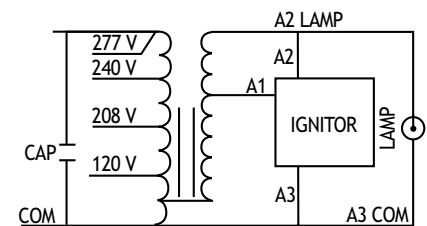
1 minute:	2 000
2 seconds:	2 500
OCV test:	235 - 290
Short circuit:	2.10 - 2.75

BALLAST DIMENSIONS

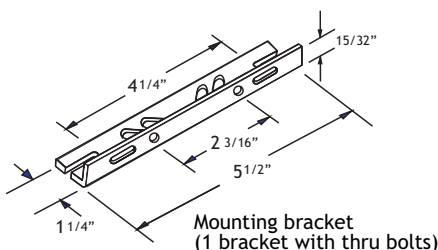
Dimension A:	2.28"
Dimension B:	3.70"
Lead Lengths:	12.00"
Weight (lbs):	7.28

WIRING DIAGRAM

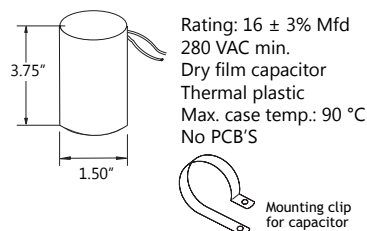
Ground ballast core



BRACKET



CAPACITOR



IGNITOR

