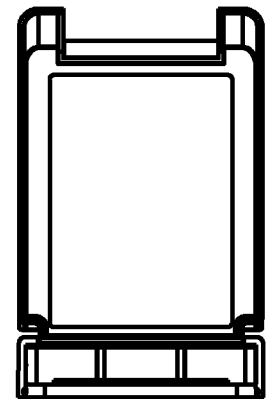
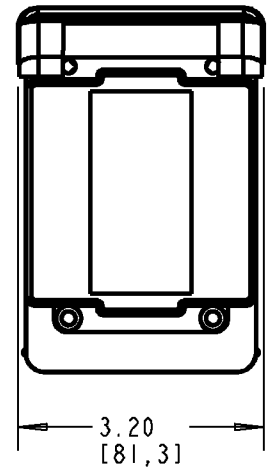
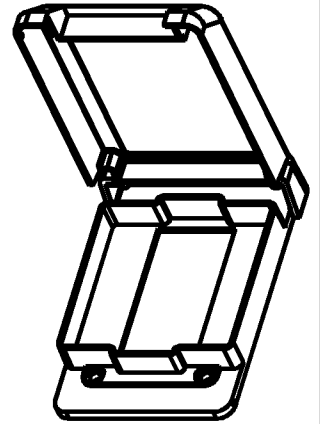
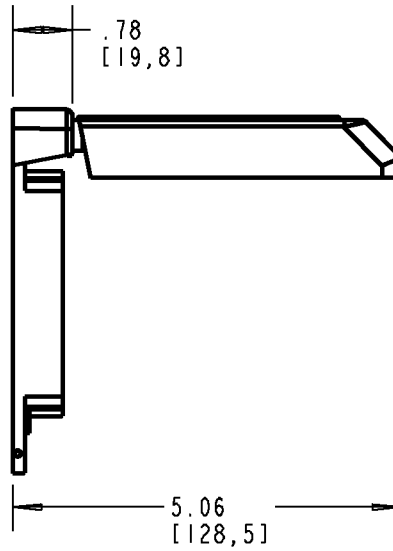
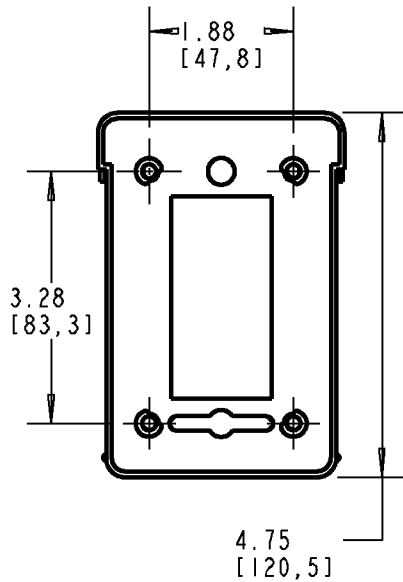


Carlton®



NOTE:

BASES ARE DESIGNED TO SPECIFICALLY SUPPORT VARIOUS RECEPTACLES, AND ALL CONTAIN A COMMON COVER.

THIS SHEET DEPICTS OVERALL DIMENSIONS. SEE SHEET TWO FOR PART NUMBERS IDENTIFYING RECEPTACLE SPECIFIC BASES.

GENERAL NOTES

1. ALL DIMENSIONS ARE FOR REFERENCE ONLY.
2. DIMENSIONS IN BRACKETS [] ARE IN METRIC UNITS.

REVISIONS

*** SEE ERN (****) FOR APPROVAL SIGNATURES & RELEASE DATE.
PROJECT NO: ****

Thomas & Betts
www.tnb.com

DESCRIPTION:

**WEATHERPROOF COVERS
VERTICAL**

ORIGINAL PROJECT NO / (ERN NO)

/ ()

SHEET NO:

1 OF 2

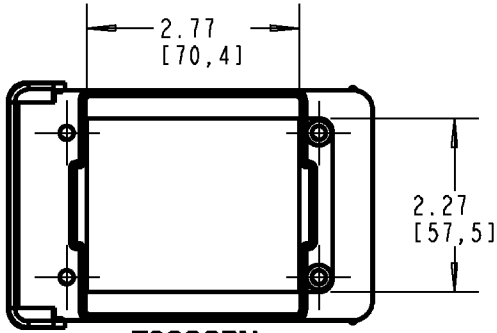
REV. NO:

A

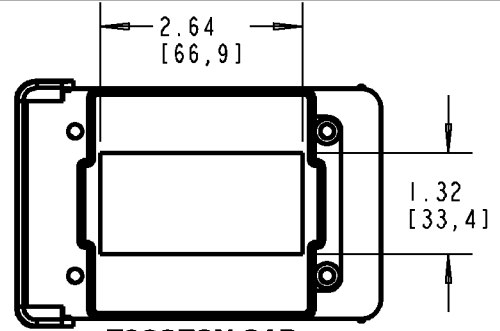
DRAWING NO:

WSD-AC05025

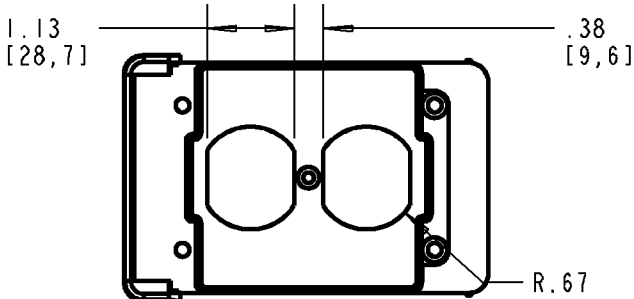
Carlton®



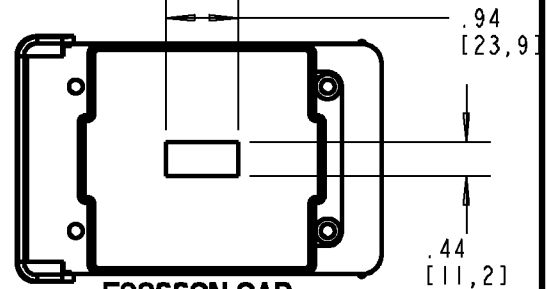
E98GCBN
(CIRCUIT BREAKER)



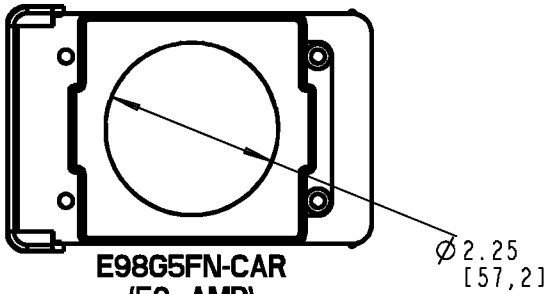
E98GFCN-CAR
E98GFCM-CAR (WHT)
E98GFCB-CAR (BRONZE)
E98GFCBCL (BRONZE)
(GFI)



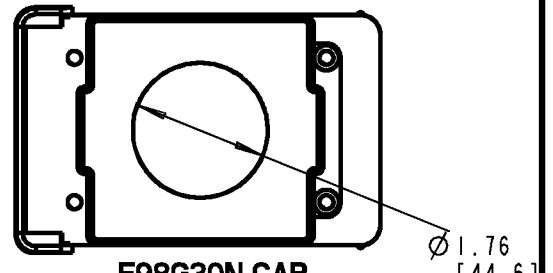
E98GDRN-CAR
E98GDRM-CAR (WHT)
E98GDRB-CAR (BRONZE)
(DUPLEX)



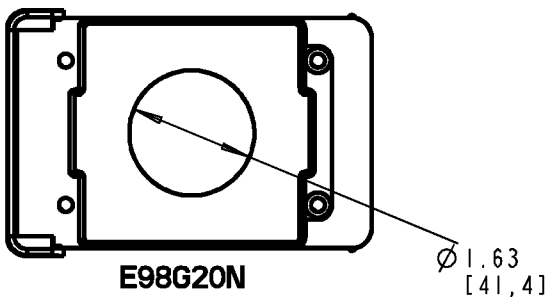
E98SSCN-CAR
E98GSSM-CAR (WHT)
(TOGGLE SWITCH)



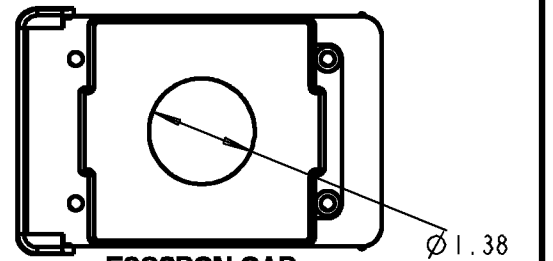
E98G5FN-CAR
(50 AMP)



E98G30N-CAR
(30 AMP)



E98G20N
E98G20N-CAR
(20 AMP)



E98SRCN-CAR
(15 AMP)

Thomas & Betts
www.tnb.com

DESCRIPTION:

WEATHERPROFF COVERS
VERTICAL

SHEET NO:

2 OF 2

REV. NO:

B

DRAWING NO:

WSD-AC05025