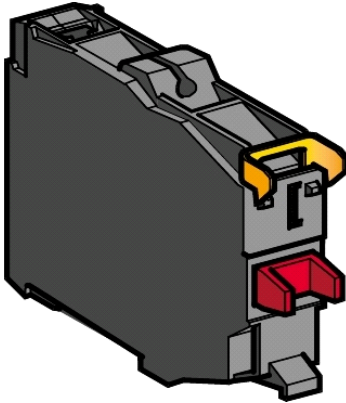


## ZBE205

double contact block's for head Ø22 1NO+1NC  
screw clamp terminal



### Main

Range of product	Harmony XB4 Harmony XB5
Product or component type	Contact block
Device short name	ZBE
Sale per indivisible quantity	5
IP degree of protection	IP20 IEC 60529
Contacts type and composition	1 NO + 1 NC
Contact operation	Slow-break
Contact block type	Double
Contacts usage	Standard contacts
Connections - terminals	Screw clamp terminals $\leq 2 \times 1.5 \text{ mm}^2$ with cable end EN 60947-1 Screw clamp terminals $\geq 1 \times 0.22 \text{ mm}^2$ without cable end EN 60947-1

### Complementary

Product weight	0.02 kg
Positive opening	With EN/IEC 60947-5-1 appendix K
Operating travel	1.5 mm NC changing electrical state 2.6 mm NO changing electrical state 4.3 mm total travel
Operating force	4.6 N NC + NO changing electrical state
Mechanical durability	10000000 cycles
Tightening torque	0.8...1.2 N.m EN 60947-1
Shape of screw head	Cross Philips no 1 Cross pozidriv No 1 Slotted flat Ø 4 mm Slotted flat Ø 5.5 mm
Contacts material	Silver alloy (Ag/Ni)
Short-circuit protection	10 A cartridge fuse gG EN/IEC 60947-5-1
[Ith] conventional free air thermal current	10 A EN/IEC 60947-5-1
[Ui] rated insulation voltage	600 V 3 EN 60947-1
[Uimp] rated impulse withstand voltage	6 kV EN 60947-1
[Ie] rated operational current	1.2 A 600 V AC-15 A600 EN/IEC 60947-5-1 0.27 A 250 V DC-13 Q600 EN/IEC 60947-5-1 0.1 A 600 V DC-13 Q600 EN/IEC 60947-5-1 3 A 240 V AC-15 A600 EN/IEC 60947-5-1 0.55 A 125 V DC-13 Q600 EN/IEC 60947-5-1 6 A 120 V AC-15 A600 EN/IEC 60947-5-1
Electrical durability	1000000 cycles AC-15 1 A 230 V 3600 cyc/h 0.5 EN/IEC 60947-5-1 appendix C 1000000 cycles AC-15 1.5 A 120 V 3600 cyc/h 0.5 EN/IEC 60947-5-1 appendix C 1000000 cycles AC-15 3 A 24 V 3600 cyc/h 0.5 EN/IEC 60947-5-1 appendix C 1000000 cycles DC-13 0.15 A 110 V 3600 cyc/h 0.5 EN/IEC 60947-5-1 appendix C 1000000 cycles DC-13 0.4 A 24 V 3600 cyc/h 0.5 EN/IEC 60947-5-1 appendix C
Electrical reliability	$\Lambda < 10\text{exp}(-7)$ 1 mA in clean environment EN/IEC 60947-5-4 $\Lambda < 10\text{exp}(-8)$ 5 mA in clean environment EN/IEC 60947-5-4
Mounting of block	Front mounting
Condition of use	Mounting on push-button collar
Electrical composition code	C2 $\leq$ 3 C4 $\leq$ 2 C6 $\leq$ 2

The information provided in this documentation contains general descriptions and/or technical characteristics of the products contained herein. This documentation is not intended as a substitute for and is not to be used for determining suitability or reliability of these products for specific user applications. It is the duty of any such user or integrator to perform the appropriate and complete risk analysis, evaluation and testing of the products with respect to the relevant specific application or use thereof. Neither Schneider Electric Industries SAS nor any of its affiliates or subsidiaries shall be responsible or liable for misuse of the information contained herein.

C8 ≤ 1  
C10 ≤ 2  
C13 ≤ 3  
M2 ≤ 2  
M4 ≤ 2  
M8 ≤ 2

---

Compatibility code	ZBE
--------------------	-----

---

## Environment

---

protective treatment	TH
----------------------	----

---

ambient air temperature for storage	-40...70 °C
-------------------------------------	-------------

---

ambient air temperature for operation	-40...70 °C
---------------------------------------	-------------

---

standards	EN/IEC 60947-1 EN/IEC 60947-5-1 EN/IEC 60947-5-4 JIS C 4520 UL 508 CSA C22.2 No 14
-----------	---

---

product certifications	BV CCC CSA DNV GL GOST LROS (Lloyds register of shipping) RINA UL
------------------------	---

---

vibration resistance	5 gn 2...500 Hz IEC 60068-2-6
----------------------	-------------------------------

---

shock resistance	30 gn 18 ms half sine wave acceleration IEC 60068-2-27 50 gn 11 ms half sine wave acceleration IEC 60068-2-27
------------------	--

---