

# Condulet® Conduit Outlet Boxes With Covers

## EAB Series

Cl. I, Div. 1 & 2, Groups A, B, C, D  
 Cl. II, Div. 1, Groups E, F, G  
 Cl. II, Div. 2, Groups F, G  
 Cl. III  
 NEMA 3,4,7ABCD,9EFG

Explosionproof  
 Dust-Ignitionproof  
 Raintight  
 Wet Locations

3F

### Applications:

EAB series conduit outlet boxes are installed in conduit systems within hazardous areas to:

- Provide protection against exterior explosion where acetylene, hydrogen and other hazardous gases are present
- Protect conductors in threaded rigid conduit
- Act as pull and splice boxes
- Interconnect lengths of conduit
- Change conduit direction
- Provide access to conductors for maintenance and future system changes

### Features:

EAB series conduit outlet boxes have:

- Five different hub configurations
- Taper threaded hubs to provide ground continuity
- Smooth integral hub bushing to protect conductor insulation when pulling
- Threaded cover openings
- Surface covers furnished with boxes
- Neoprene "o"-ring gasket and green ground screw are both standard.
- Four standard mounting pads, except for EABY.
- Cover threads are 16 pitch.

### Certifications and Compliances:

- NEC/CEC:
  - Class I, Division 1 & 2, Groups A, B, C, D
  - Class II, Division 1, Groups E, F, G
  - Class II, Division 2, Groups F, G
  - Class III
- UL Standard: 1203
- CSA Standard: C22.2 No. 20

### Standard Finishes:

- *Feraloy* – electrogalvanized and aluminum acrylic paint
- Aluminum – natural

### Standard Materials:

- Bodies – *Feraloy*® iron alloy
- Covers – Copper-free aluminum

### Options:

#### Description

Bodies – copper-free aluminum  
 Covers – *Feraloy* iron alloy – electrogalvanized and aluminum acrylic paint  
 Corro-free epoxy powder coat

Suffix  
**SA†\***

WOD  
**S752**

### Size Ranges:

- Hub – 1/2" to 1"
- Cover opening – 3" dia.

### EABC



Hub Size	Cat. #
1/2	EABC16†
3/4	EABC26
1	EABC36†

### EABT



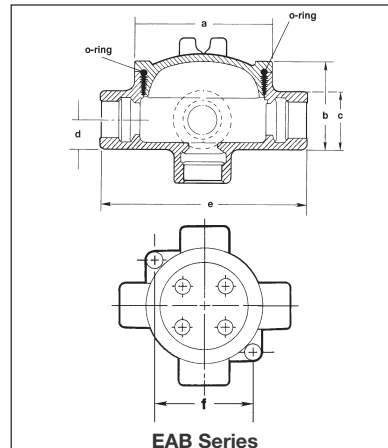
Hub Size	Cat. #
1/2	EABT16†
3/4	EABT26†
1	EABT36†

### EABL



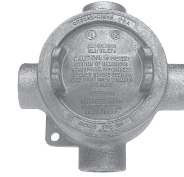
Hub Size	Cat. #
1/2	EABL16†
3/4	EABL26†
1	EABL36†

### Dimensions In Inches:



†Available in copper-free aluminum, add suffix -SA.  
 \*EAB0687 is listed for Group C & D only.

### EABX



Hub Size	Cat. #
1/2	EABX16†
3/4	EABX26†
1	EABX36†

### EABY



Hub Size	Cat. #
1/2	EABY16†
3/4	EABY26†

### Replacement Cover:

Size	Cat. #
3"	EAB06

### Replacement O-Ring:

Description	Cat. #
Replacement O-Ring	GASK1151

### Fixture Cover Union Hub Type



Cover Opening Dia.	Fixt. Stem Size	Cat. #
3"	3/4	EAB0687*

### EAB Series

Cat. #	a	b	c	d	e	f
16	3/4	2 <sup>17</sup> / <sub>32</sub>	1 1/2	3/4	5 <sup>9</sup> / <sub>16</sub>	3 <sup>3</sup> / <sub>32</sub>
26	3/4	2 <sup>29</sup> / <sub>32</sub>	1 3/4	7/8	5 <sup>9</sup> / <sub>16</sub>	3 <sup>3</sup> / <sub>32</sub>
36	3/4	2 <sup>29</sup> / <sub>32</sub>	1 3/4	7/8	5 <sup>9</sup> / <sub>16</sub>	3 <sup>3</sup> / <sub>32</sub>