



# Mark 10 Powerline

## MARK 10 POWERLINE ELE DIM BALLAST (2) 40W CFL (4-PIN) 120V

For companies looking to make their fixed-output linear T8, 4-pin CFL, and T5/HO fluorescent systems more cost effective and sustainable, Mark 10 Powerline ballasts provide an easy solution without the need for additional control leads. Simply, (1) replace the ballast, (2) replace the switch, (3) dim the lights, that is all it takes. It's that easy to bring the convenience and flexibility of fluorescent dimming to conference rooms, private offices, auditoriums, architectural cove lighting – anywhere dimming is required.

### Product data

#### • General Characteristics

Lamp Type	FT40W/2G11
Number of Lamps	2 piece
Input Voltage	120 V
Input Current (Operating)	0.68 A
Line Frequency	60 Hz
Ballast Type	Dimmable Fluorescent
Base Model	REZ2TTS40SC
Housing	SC
Housing Dimensions	9.5" x 1.7" x 1.18"
Housing Material	Metal
Suitable for Outdoor use?	Yes
Starting Method	Programmed Start
Family Name	Mark 10 Powerline

#### • Operating Characteristics

Automatic restart	Yes
Ignition time	1.5 s
Min. Input Watts	17 (min) W
Max. Input Watts	80 (max) W
Min. Ballast Factor	0.05 (min) -
Max. Ballast Factor	1 (max) -
Ballast Efficacy Factor	1.25 -
Power Factor	0.99
Lamp Current Crest Factor	1.7 -
Sound Rating	A
Max THD	10 %

#### • Wiring Characteristics

Color input terminals	No terminals
Color output terminals	No terminals

Connector type	No connector
Wire Striplength	0.50/0.375 mm
Control Wire Gauge	NA
Lamp Connection	Series
Wire Gauge	18AWG
Wire Length by Color	See data sheet
Wire Type	Solid
Allowed Wiring Config(Remote)	Yes
Allowed Wiring Config(Tandem)	No
Allowed Wiring Config(Through)	No
Max Dist. Ball to Lamp(Remote)	6'
Max Dist. Ball to Lamp(Tandem)	No Tandem
Max Dist. Ball to Lamp(Through)	No Through

#### • System Chars on driver level

Rated Lamp Watts	40W
------------------	-----

#### • Temperature Characteristics

T-case maximum	70 C
----------------	------

#### • Product Dimensions

Length A1	9.5 in
Length A2	8.90 in
Width B1	1.7 in
Height C1	1.18 in

**PHILIPS**

## • Approval & Application Chars

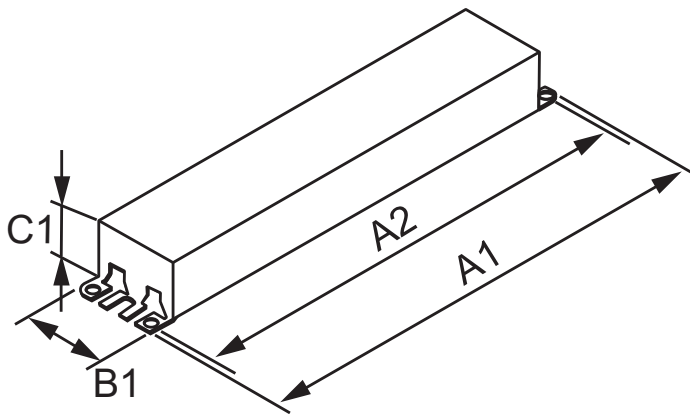
EMC Immunity	FCC Consumer
Approbation Marks	UL, CSA, RoHS
UL Listed	Yes
CSA certificate	Yes
CEC Listing	Yes
CEE Rated	No
Circle E logo	No
CSA E	No
cUL certificate	No
Energy Star	No
FIDE Certificate	No
NEMA Premium	No
NOM certificate	No
RoHS Compliant	Yes
SASO Certificate	No

UL Recognized No

## • Product Data

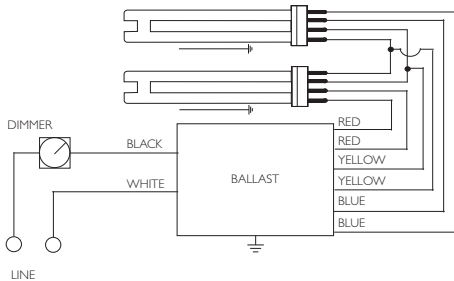
Product number	REZ2TTS40SC35M
Full product name	ELE DIM BALLAST (2) 40W CFL (4-PIN) 120V
Short product name	ELE DIM BALLAST (2) 40W CFL (4-PIN) 120V
Pieces per Sku	1
Skus/Case	20
Bar code on pack	781087117019
Bar code on case	50781087117021
Logistics code(s)	913710287702
eop_net_weight_pp	0.404 kg

## Dimensional drawing



## MARK 10 POWERLINE ELE DIM BALLAST (2) 40W CFL (4-PIN) 120V

Product	A1 (Norm)	A2 (Norm)	A3 (Norm)	B1 (Norm)	C1 (Norm)
ELE DIM BALLAST (2) 40W CFL (4-PIN) 120V	9.5	8.90	-	1.7	1.18



© 2014 Koninklijke Philips N.V. (Royal Philips)  
All rights reserved.

Specifications are subject to change without notice. Trademarks are the property of Koninklijke Philips N.V. (Royal Philips) or their respective owners.

[www.philips.com/lighting](http://www.philips.com/lighting)

2014, March 20  
data subject to change