



Product availability: Non-Stock - Not normally stocked in distribution facility



Main

Range of product	Modicon M580
Product or component type	Processor module
Product specific application	For severe environments

Complementary

Number of racks	4
Local I/O processor capacity (discrete)	2048 I/O
Local I/O processor capacity (analog)	512 I/O
Number of application specific channel (local rack)	72
Application specific I/O	Counter HART SSI encoder Accurate time stamping Motion control Serial link
Checks	Process control
Control channels	Programmable loops
Integrated connection type	1 Ethernet TCP/IP service port 2 Ethernet TCP/IP device network USB type mini B
Number of remote I/O station	8 - 2 remote drop
Number of distributed equipment	64
Communication module processor capacity	2 Ethernet communication module 8 AS-Interface module
Communication service	RIO scanner DIO scanner
Memory description	Expandable flash, 4 GB data storage Integrated RAM, 10 kB system memory Integrated RAM, 8 MB program Integrated RAM, 768 kB data
Application structure	1 periodic fast task 64 event tasks 1 cyclic/periodic master task 2 auxiliary tasks
Number of instructions per ms	7.5 Kinst/ms 65 % Boolean + 35 % fixed arithmetic 10 Kinst/ms 100 % Boolean
Current consumption	270 mA 24 V DC
MTBF reliability	600000 H
Marking	CE

The information provided in this documentation contains general descriptions and/or technical characteristics of the performance of the products contained herein. This documentation is not intended as a substitute for and is not to be used for determining suitability or reliability of these products for specific user applications. It is the duty of any such user or integrator to perform the appropriate and complete risk analysis, evaluation and testing of the products with respect to the relevant specific application or use thereof. Neither Schneider Electric Industries SAS nor any of its affiliates or subsidiaries shall be responsible or liable for misuse of the information contained herein.

Environment

Vibration resistance	3 gn
Shock resistance	30 gn
Ambient air temperature for operation	-13...158 °F (-25...70 °C)
Ambient air temperature for storage	-40...185 °F (-40...85 °C)
Operating altitude	0...6561.68 ft (0...2000 m) 2000...5000 m with derating factor
Relative humidity	5...95 % 131 °F (55 °C) without condensation
IP degree of protection	IP20
Directives	2014/35/EU - low voltage directive 2014/30/EU - electromagnetic compatibility 2012/19/EU - WEEE directive
Standards	EN 61131-2 EN 61000-6-4 EN 61000-6-2 EN 61010-2-201
Protective treatment	Conformal coating
Environmental characteristic	Gas resistant class Gx Gas resistant class 3C4 Dust resistant class 3S4 Sand resistant class 3S4 Salt resistant level 2 Mold growth resistant class 3B2 Fungal spore resistant class 3B2
Product certifications	CE UL RCM Merchant Navy ATEX EAC CSA IEC-Ex
Supply	Internal power supply via rack
Status LED	Processor running (RUN) 1 LED green Processor or system fault (ERR) 1 LED red I/O module fault (I/O) 1 LED red Download in progress (DL) 1 LED green Memory card or CPU flash fault (BACKUP) 1 LED red ETH MS (Ethernet port configuration status) 1 LED green/red Eth NS (Ethernet network status) 1 LED green/red
Product weight	1.87 lb(US) (0.849 kg)

Ordering and shipping details

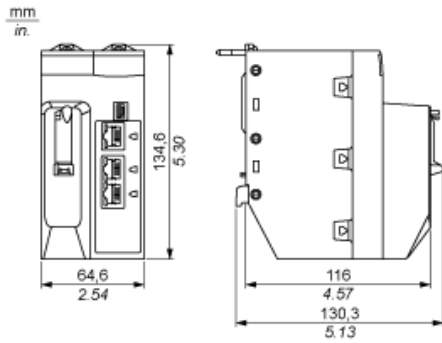
Category	18161 - MODICON M580 CONTROLLERS HSBY
Discount Schedule	PC34
GTIN	00785901067078
Package weight(Lbs)	1.22 kg (2.7 lb(US))
Returnability	No
Country of origin	FR

Offer Sustainability

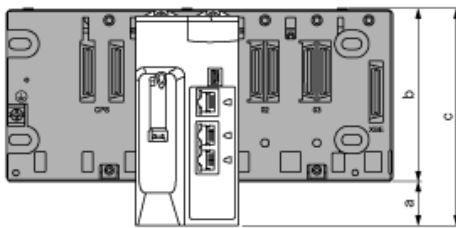
Sustainable offer status	Green Premium product
California proposition 65	WARNING: This product can expose you to chemicals including: Lead and lead compounds which is known to the State of California to cause Carcinogen & Reproductive harm. For more information go to www.p65warnings.ca.gov
REACH Regulation	REACH Declaration
EU RoHS Directive	Pro-active compliance (Product out of EU RoHS legal scope) EU RoHS Declaration
Mercury free	Yes
RoHS exemption information	Yes
China RoHS Regulation	China RoHS Declaration

The product must be disposed on European Union markets following specific waste collection and never end up in rubbish bins.

CPU Module Only

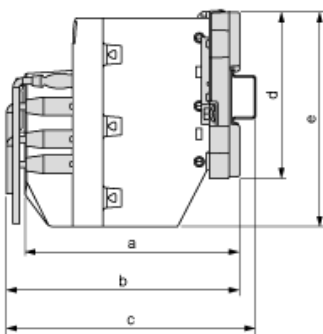


Modules Mounted on Racks



- a: additional space below the rack to accommodate the height of the CPU. For an X Bus rack, the value is 30.9 mm (1.217 in.); for an Ethernet rack, the value is 29.49 mm (1.161 in.).
- b: the height of the rack. For an X Bus rack, the height is 103.7 mm (4.083 in.); for an Ethernet rack, the height is 105.11 mm (4.138 in.).
- c: the height of the main local rack, 134.6 mm (5.299 in.).

Modules and Cables Mounted in an Enclosure



- a: enclosure depth: 135 mm (5.315 in.)
- b: wiring + module depth: > 146 mm (5.748 in.)
- c: wiring + module + DIN rail depth: > 156 mm (6.142 in.)
- d: rack height: for an X Bus rack 103.7 mm (4.083 in.); for an Ethernet rack, 105.11 mm (4.138 in.)
- e: module height: 134.6 mm (5.299 in.)