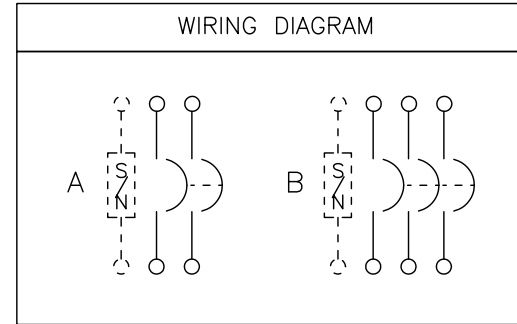


SEISMIC NOTES:  
 USE (4) 1/4" DIA GRADE 5 STEEL MOUNTING BOLTS @ HOLES AA  
 MAX CONFIGURED WEIGHT 52 LB FOR THE PURPOSE OF DETERMINING  
 SEISMIC ANCHORAGE REQUIREMENTS. FOR ALL OTHER APPLICATIONS,  
 CONTACT SQUARE D COMPANY.

NOTES:  
 FINISH - GRAY BAKED ENAMEL ELECTRODEPOSITED OVER CLEANED PHOSPHATIZED STEEL.  
 UL LISTED - FILE E-136861. CSA CERTIFIED - FILE # LL89067.  
 SUITABLE FOR USE AS SERVICE EQUIPMENT (US ONLY) WHEN NEUTRAL ASSEMBLY IS INSTALLED.  
 NEUTRAL - INSULATED GROUNDABLE.  
 THE SHORT CIRCUIT CURRENT RATING OF THIS ENCLOSED CIRCUIT BREAKER IS EQUAL TO THE  
 INTERRUPTING RATING, AT THE SUPPLY VOLTAGE MARKED ON THE CIRCUIT BREAKER INSTALLED.  
 ENCLOSURES ARE PROVIDED WITH THE HANDLE PADLOCK ATTACHMENT (HPALM). THIS ATTACHMENT  
 CAN BE FIELD INSTALLED ON THE CIRCUIT BREAKER TO PROVIDE PADLOCK CAPABILITY IN THE ON  
 OR OFF POSITIONS. ALSO SUPPORTS BREAKERS WITH MB AND MT SUFFIX.

CIRCUIT BREAKER TERMINAL LUG DATA					
CIRCUIT BREAKER CATALOG NO PREFIX	AMPERE RATING	CONDUCTORS PER PHASE	WIRE SIZE (AWG/KCMIL)		TYPE
			MIN	MAX	
LAL, LHL	125-400A	1	#1	600	AL OR CU
		2	#1	250	
Q4L	250-400A	1	#1	600	AL OR CU
		2	#1	250	

SYMBOL	CONDUIT SIZE		DIAMETER	
	IN	MM	IN	MM
A	.50	13	.88	22
B	.75	19	1.13	29
C	1.00	25	1.38	35
D	1.25	32	1.75	45
E	1.50	38	2.00	51
F	2.00	51	2.50	64
G	2.50	64	3.00	76
H	3.00	76	3.63	92
I	3.50	89	4.13	105



EQUIPMENT GROUND KIT					
CATALOG NUMBER	CONDUCTORS PER TERMINAL	WIRE SIZE (AWG/Kcmil)		WIRE TYPE	
		MIN	MAX		
PKOGTA2	2	1	6	2/0	AL OR CU
			10	2/0	

FIELD INSTALLABLE SOLID NEUTRAL ASSEMBLIES												
NEUTRAL TERMINATION DATA							GROUND TERMINATION DATA					
CATALOG NUMBER	MAXIMUM AMPERE RATING	NUMBER OF TERMINALS		CONDUCTORS PER TERMINAL	WIRE SIZE (AWG/Kcmil)		WIRE TYPE	NUMBER OF TERMINALS	CONDUCTORS PER TERMINAL	WIRE SIZE (AWG/Kcmil)		WIRE TYPE
		IN	OUT		MIN	MAX						
SN225KA	225A	1	1	1	4	300	AL OR CU	2	1	14	1/0	AL OR CU
400SN	400A	1	1	2	1/0	250		2	1	4	300	

FIELD INSTALLED CIRCUIT BREAKER DATA									
CIRCUIT BREAKER CATALOG NO PREFIX	AMPERE RATING	UL LISTED INTERRUPTING RATING RMS SYMMETRICAL AMPERES							FEDERAL SPECS W-C-375B/GEN
		AC VOLTAGE				DC VOLTAGE			
		120	240	480Y/277	480	600	125	250	
LAL	125-400	42K	42K	30K	30K	22K	10K	10K	21A
LHL	125-400	65K	65K	35K	35K	25K	10K	10K	23A
Q4L	250-400	25K	25K	-	-	-	-	-	14B

LA400S OR LA400F 125-400 AMPERE  
 CIRCUIT BREAKER ENCLOSURES - SEISMIC  
 NEMA/EEMAC TYPE 1 GENERAL PURPOSE ENCLOSURE



DWG# 3076S  
 NO.