

# ELECTRONIC CONVECTOR

MIR SERIES

MIRAGE™

## THE MOST DISCREET ON THE MARKET!

The new MIRAGE™ electronic convector is the result of a combination of a unique look that is modern and discreet, paired with unquestionable efficiency.

Available with an ultra precise integrated electronic thermostat or no thermostat and in several voltages, the MIRAGE™ is suitable for rooms in both the home and business. The MIRAGE™ blends in with any decor with its simple facade and elegant design.



### HARMONIZES DISCREETLY WITH ANY DECOR

### NEW STYLISH WHITE SATIN FINISH

### STURDY ONE-PIECE FRONT PANEL

### TOTALLY QUIET

### BUILT-IN ELECTRONIC THERMOSTAT (OPTIONAL)

WITH A BACKLIGHT THAT CAN SERVE AS A NIGHTLIGHT (120 V TO 240 V MODELS)

### IDEAL FOR:

KITCHEN, LIVING ROOM, BEDROOM, BASEMENT,  
COMMERCIAL BUILDING, OFFICE

### COLOURS

- standard: white, soft white
- luxurious finish: stainless steel (see price list)
- ORORA (optional): denim blue, midnight blue, turquoise, moss green, canary yellow, red, orange, anodized aluminum paint, gravel gray, charcoal, espresso, black; two colour option: white cabinet with choice of colour facing (refer to [page 8 of the catalogue](#))

### FINISH

epoxy-polyester powdercoat or stainless steel

### MANUFACTURING

- 20-gauge steel cabinet and front
- the cabinet height improves the chimney effect
- bottom air intake and top air discharge

### ELEMENTS

two stainless steel tubular sheathed elements insulated with nylon sleeves reducing expansion and contraction noises

### CONTROL

- electronic thermostat required: built-in electronic thermostat with LCD screen (optional) or electronic wall thermostat (not included)
- automatic lowering of temperature at night (Automatic mode)
- lock option at a maximum temperature setpoint (Security mode)

### INSTALLATION

- surface mounted only
- wall mounted at least 4 in. from the floor
- concealed mounting bracket (included)
- back entry plate with cable clamps (included)



**ALSO AVAILABLE: SEMI-PERMANENT  
INSTALLATION MODEL**

QUICK PLUG-IN INTO RESIDENTIAL 120 V OUTLET



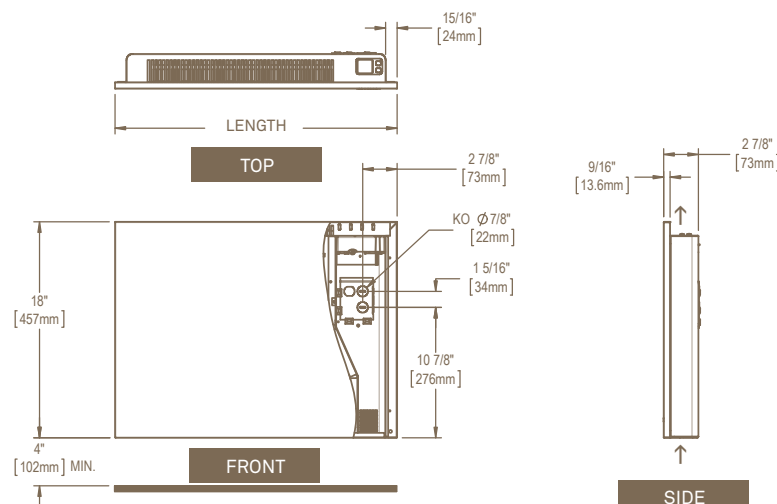
# TECHNICAL SPECIFICATIONS

BUILT-IN THERMOSTAT			WITHOUT THERMOSTAT			POWER WATTS	VOLTAGE VOLTS	HEIGHT		LENGTH		WEIGHT	
CODE	W OR SW	SS	CODE	W OR SW	SS			MM	IN.	MM	IN.	KG	LB
MIR0501	203.00	268.00	MIR0501WC	161.00	225.00	500	120	457	18	444	17 1/2	5.3	11.75
MIR0508	203.00	268.00	MIR0508WC	161.00	225.00	500	208	457	18	444	17 1/2	5.3	11.75
MIR0502	178.00	242.00	MIR0502WC	135.00	199.00	500/375	240/208	457	18	444	17 1/2	5.3	11.75
---	---	---	MIR0507WC	161.00	225.00	500	277	457	18	444	17 1/2	5.3	11.75
---	---	---	MIR0503WC	213.00	276.00	500	347	457	18	444	17 1/2	5.3	11.75
MIR1001	216.00	281.00	MIR1001WC	174.00	239.00	1000	120	457	18	597	23 1/2	6.7	14.75
MIR1008	216.00	281.00	MIR1008WC	174.00	239.00	1000	208	457	18	597	23 1/2	6.7	14.75
MIR1002	191.00	255.00	MIR1002WC	148.00	213.00	1000/750	240/208	457	18	597	23 1/2	6.7	14.75
---	---	---	MIR1007WC	174.00	239.00	1000	277	457	18	597	23 1/2	6.7	14.75
---	---	---	MIR1003WC	225.00	289.00	1000	347	457	18	597	23 1/2	6.7	14.75
---	---	---	MIR1005WC	225.00	289.00	1000	480	457	18	597	23 1/2	6.7	14.75
---	---	---	MIR1006WC	225.00	289.00	1000	600	457	18	597	23 1/2	6.7	14.75
MIR1501	229.00	293.00	MIR1501WC	186.00	251.00	1500	120	457	18	749	29 1/2	8	17.75
MIR1508	229.00	293.00	MIR1508WC	186.00	251.00	1500	208	457	18	749	29 1/2	8	17.75
MIR1502	203.00	268.00	MIR1502WC	161.00	225.00	1500/1125	240/208	457	18	749	29 1/2	8	17.75
---	---	---	MIR1507WC	186.00	251.00	1500	277	457	18	749	29 1/2	8	17.75
---	---	---	MIR1503WC	239.00	302.00	1500	347	457	18	749	29 1/2	8	17.75
---	---	---	MIR1505WC	239.00	302.00	1500	480	457	18	749	29 1/2	8	17.75
---	---	---	MIR1506WC	239.00	302.00	1500	600	457	18	749	29 1/2	8	17.75
MIR2008	242.00	306.00	MIR2008WC	199.00	263.00	2000	208	457	18	902	35 1/2	9.4	20.75
MIR2002	216.00	281.00	MIR2002WC	174.00	239.00	2000/1500	240/208	457	18	902	35 1/2	9.4	20.75
---	---	---	MIR2007WC	199.00	263.00	2000	277	457	18	902	35 1/2	9.4	20.75
---	---	---	MIR2003WC	251.00	315.00	2000	347	457	18	902	35 1/2	9.4	20.75
---	---	---	MIR2005WC	251.00	315.00	2000	480	457	18	902	35 1/2	9.4	20.75
---	---	---	MIR2006WC	251.00	315.00	2000	600	457	18	902	35 1/2	9.4	20.75

Add W for white, SW for soft white or SS for stainless steel (see [page 8 of the catalogue](#) for optional colours and contact your \*STELPRO representative for all other colours). Mechanical wall thermostats are not compatible with the without thermostat model (WC) – electronic thermostat is required. --- not available

MODEL WITH 120 V PLUG (RESIDENTIAL OUTLET)										
BUILT-IN THERMOSTAT	POWER	VOLTAGE	HEIGHT		LENGTH		WEIGHT		PRICE	
CODE	WATTS	VOLTS	MM	IN.	MM	IN.	KG	LB		
MIR1501PW	1500	120	457	18	749	29 1/2	8	17.75	240.00	

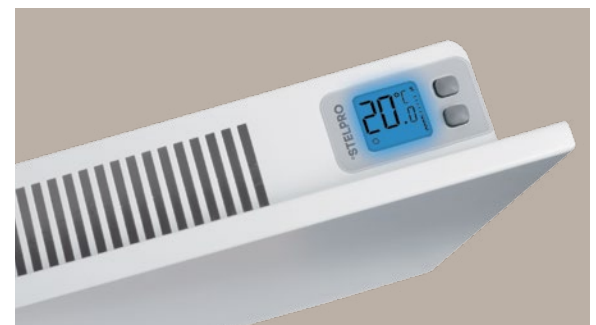
## TECHNICAL DRAWINGS



## ACCESSORIES

PRODUCT	DESCRIPTION	PRICE
MIRRE153*	built-in electronic low voltage relay [15 A @ 120 V-347 V]	52.50
MIRRE156*	built-in electronic low voltage relay [6 A @ 600 V]	93.00
MIRRE153T*	built-in electronic low voltage relay c/w transformer 24 V [15 A @ 208 V-347 V]	71.50

Electronic relays can receive a PWM (pulsed width modulation) or digital (on/off) signal.  
\* Factory installed



**BUILT-IN ELECTRONIC THERMOSTAT AVAILABLE FOR THE 120 V TO 240 V MODELS**