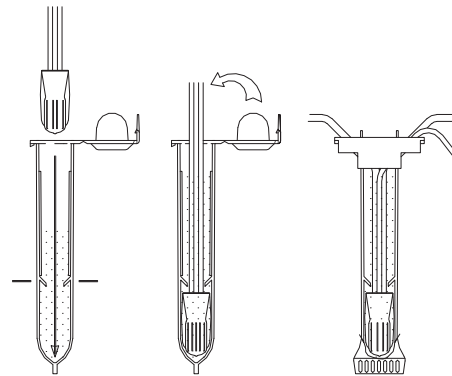


Low Voltage Splices 0-600V DBR and DBY Series

3M™ Direct Bury Products

These 3M underground electrical wire connectors are designed to splice and effectively moisture-seal two or more conductors for remote-control circuits in irrigation and landscape lighting systems. DBY-6 and DBR-6 are UL Listed and CSA Certified for 600V direct bury and submersion applications. UL File No. E102356 and CSA File No. LR91920. Each kit makes two splices.



Specification Information for 3M Direct Bury Products

Product Number	Description and Kit Contents	Wire Range (AWG)	Volts	Temperature Range	UL File No. E102356 and CSA File No. LR91920
DBR	(2) Tubes (2) 3M Scotchlok™ R Connectors	5#16 thru 3#10 (5,0 thru 16,0 mm ²)	30	32°-120°F (0°-49°C)	N/A
DBR-6	(2) Tubes (2) Scotchlok R Connectors	5#16 thru 3#10 (5,0 thru 16,0 mm ²)	600	32°-120°F (0°-49°C)	CE UL SF
DBY	(2) Tubes (2) Scotchlok Y Connectors	2-5#18 thru 2#12 (2,0 thru 7,5 mm ²)	30	32°-120°F (0°-49°C)	N/A
DBY-6	(2) Tubes (2) Scotchlok Y Connectors	2-5#18 thru 2#12 (2,0 thru 7,5 mm ²)	600	32°-120°F (0°-49°C)	CE UL SF
3570-G	Connector sealing pack containing 3M Scotchcast™ epoxy resin	Accommodates 3M O/B+, R/Y+, Scotchlok Y, R, G, B and 3M 212, 312, 512	600	32°-220°F (0°-105°C)	N/A

3M™ Direct Bury Low Voltage Splices DBR and DBY Selection

Product Number	UPC (054007-)	Inner Unit Pack	Case Qty.
DBR	09964 49696	Kit- 2 Tubes and 2 Scotchlok R Connectors 100 tubes and 100 connectors	25 kits 100 each
DBR-6	69756 49697	Kit- 2 Tubes and 2 Scotchlok R Connectors 100 tubes and 100 connectors	25 kits 100 each
DBY	09053 49698	Kit- 2 Tubes and 2 Scotchlok Y Connectors 100 tubes and 100 connectors	25 kits 100 each
DBY-6	69757 49699	Kit- 2 Tubes and 2 Scotchlok Y Connectors 100 tubes and 100 connectors	25 kits 100 each
3570-G	53241*	10/box	100 each

*UPC Prefix 051128-

Low Voltage Splices 0-600V (1000V rated) Cold Shrink Splices (0-1000V)

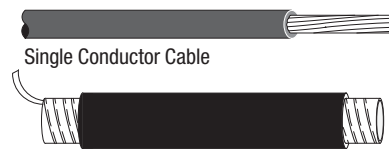
3M™ Splice Kits 8420 and 8430 Series

Cold shrink splicing products are designed using 3M's unique cold shrink delivery system. Products are supplied prestretched on a removable core for efficiency and ease of installation. Removal of the core (unwinding) after positioning the splice allows the product to shrink into position forming a moisture-tight seal. The live memory action of the specially formulated material promotes a permanent, durable environmental seal and insulation.

The 8420 meets requirements of ANSI C119-1 and Western Underground Guide 2.14 for secondary splices rated up to 1 kV.

3M™ Cold Shrink Silicone Insulators 8440 Series

3M Cold Shrink Silicone Insulators 8440 Series are insulating sleeves made from a specially formulated high-temperature silicone rubber with an operating temperature range from -67°F (-55°C) to 500°F (260°C).



3M™ Low Voltage Splices 8420 and 8430 Series Selection (0-600V)

Product Series	UPC (054007-)	Typical Conductor Size	Minimum Cable Diameter for Seal	Maximum** Diameter Insulator Covers	Maximum Connector Length	Relaxed Tube Length	Inner Unit Pack	Case Qty.
Single Conductor Cable See above for cable type illustration.								
8423-6	42146	6-4 AWG (14-16 mm ²)	0.31" (7,8 mm)	0.56" (4,3 mm)	2" (51 mm)	6" (152 mm)	1/bag	10
8424-8*	42390	10-1/0 AWG (6-16 mm ²)	0.10" (2,5 mm)	0.82" (20,9 mm)	3" (76 mm)	8" (203 mm)	1/bag	10
8425-8	42391	2-1/0 AWG (35-50 mm ²)	0.40" (10,1 mm)	0.82" (20,9 mm)	3" (76 mm)	8" (203 mm)	1/bag	10
8426-9	34457	2/0 AWG-250 kcmil (70-125 mm ²)	0.55" (13,9 mm)	1.18" (30,1 mm)	5" (127 mm)	9" (229 mm)	1/bag	10
8426-9M***	43436	2-4/0 AWG (30-90 mm ²)	0.40" (10,1 mm)	1.18" (30,1 mm)	5" (127 mm)	9" (229 mm)	1/bag	10
8426-11	34458	2/0 AWG-250 kcmil (70-125 mm ²)	0.55" (13,9 mm)	1.18" (30,1 mm)	7" (178 mm)	11" (279 mm)	1/bag	10
8427-6†	09915	—	0.69" (17,5 mm)	1.38" (35,1 mm)	2" (51 mm)	6" (152 mm)	1/bag	10
8427-12	34459	250-400 kcmil (125-200 mm ²)	0.69" (17,5 mm)	1.38" (35,1 mm)	8" (203 mm)	12" (305 mm)	1/bag	10
8427-16	34460	250-400 kcmil (125-200 mm ²)	0.69" (17,5 mm)	1.38" (35,1 mm)	12" (305 mm)	16" (406 mm)	1/bag	10
8428-6†	09916	—	0.95" (24,1 mm)	1.94" (49,2 mm)	2" (51 mm)	6" (152 mm)	1/bag	10
8428-12	09056	500-800 kcmil (300-400 mm ²)	0.95" (24,1 mm)	1.94" (49,2 mm)	8" (203 mm)	12" (305 mm)	1/bag	10
8428-18	34461	500-800 kcmil (300-400 mm ²)	0.95" (24,1 mm)	1.94" (49,2 mm)	14" (356 mm)	18" (457 mm)	1/bag	10
8429-6†	09917	—	1.27" (32,2 mm)	2.67" (67,8 mm)	2" (51 mm)	6" (152 mm)	1/bag	10
8429-9	09931	900-1000 kcmil (500 mm ²)	1.27" (32,2 mm)	2.67" (67,8 mm)	5" (127 mm)	9" (229 mm)	1/bag	10
8429-12	42389	900-1000 kcmil (500 mm ²)	1.27" (32,2 mm)	2.67" (67,8 mm)	8" (203 mm)	12" (305 mm)	1/bag	10
8429-15	44198	900-1000 kcmil (500 mm ²)	1.27" (32,2 mm)	2.67" (67,8 mm)	11" (279 mm)	15" (381 mm)	1/bag	10
8429-18	34462	900-1000 kcmil (500 mm ²)	1.27" (32,2 mm)	2.67" (67,8 mm)	14" (356 mm)	18" (457 mm)	1/bag	10
8430-9	42147	1250-2000 kcmil	1.68" (42,6 mm)	3.69" (93,7 mm)	5" (127 mm)	9" (229 mm)	1/bag	10
8430-18	42388	1250-2000 kcmil	1.68" (42,6 mm)	3.69" (93,7 mm)	14" (356 mm)	18" (457 mm)	1/bag	10

*Kit contains adapters. **Cable or connector diameter. ***Mastic pads included for cable O.D. build-up.

† These sizes are listed for availability only and are not designed to be used as primary insulation. These tubes are for conduit sealing and breakouts. Important: Use insulation jacket or connector O.D. for final ordering criteria. Note: Additional sizes are available, consult your 3M sales representative.

3M™ Low Voltage Splices 8440 Series Selection (0-600V)

Product Series	UPC (054007-)	Typical Conductor Size	Minimum Cable Diameter for Seal	Maximum* Diameter Insulator Covers	Relaxed Tube Length	Inner Unit Pack	Case Qty.
Single Conductor Cable See page 314 for cable type illustration.							
8443-2	09485	6-2 AWG (14-30 mm ²)	0.27" (7 mm)	0.56" (14 mm)	2.0" (51 mm)	1/bag	12
8443-6.5	09482	6-2 AWG (14-30 mm ²)	0.27" (7 mm)	0.56" (14 mm)	6.5" (165 mm)	1/bag	12
8445-2.5	09486	2-1/0 AWG (35-50 mm ²)	0.35" (9 mm)	0.72" (18 mm)	2.5" (64 mm)	1/bag	12
8445-7.5	09483	2-1/0 AWG (35-50 mm ²)	0.35" (9 mm)	0.72" (18 mm)	7.5" (191 mm)	1/bag	12
8447-3.2	09487	1/0-3/0 AWG (60-80 mm ²)	0.48" (12 mm)	0.95" (24 mm)	3.2" (81 mm)	1/bag	12
8447-8	09484	1/0-3/0 AWG (60-80 mm ²)	0.48" (12 mm)	0.95" (24 mm)	8.0" (203 mm)	1/bag	12

*Cable or connector diameter.
Note: Additional sizes are available, consult your 3M sales representative.

PRODUCT REFERRAL GENERATOR

Cold Shrink End Caps..... pg. 401

3M™ Cold Shrink Low Voltage Connector Insulator QSLV-M Series

The 3M Cold Shrink Connector Insulator QSLV-M Series provides quick, consistent installation and impact resistance for direct bury secondary low-voltage applications. The unique 3-core design and factory-installed ring of sealing mastic inside each end of the tube protects the connection and increases the range-taking capability of the QSLV-M insulator.

The QSLV-M insulator meets requirements for ANSI C119.1.



3M Cold Shrink Low Voltage Connector Insulator QSLV-M Series Selection

Product Series	UPC 051128-	Cable Size Range		Cable Insulation O.D. Range in. (mm)	Max. Connector O.D. in. (mm)	Max. Connector Length in. (mm)
		Aluminum	Copper			
QSLV-M 8-2/0	57268	8-2/0	8-3/0	0.20-0.75" (5-19 mm)	0.687" (17 mm)	2.5" (63 mm)
QSLV-M 2-500	57269	2-500	2-1000	0.40-1.60" (10-41 mm)	1.500" (38 mm)	4.25" (108 mm)