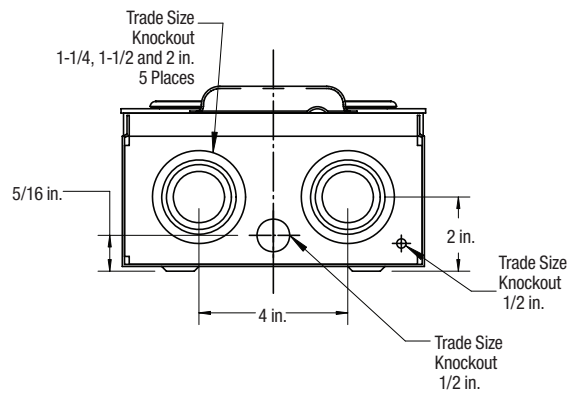
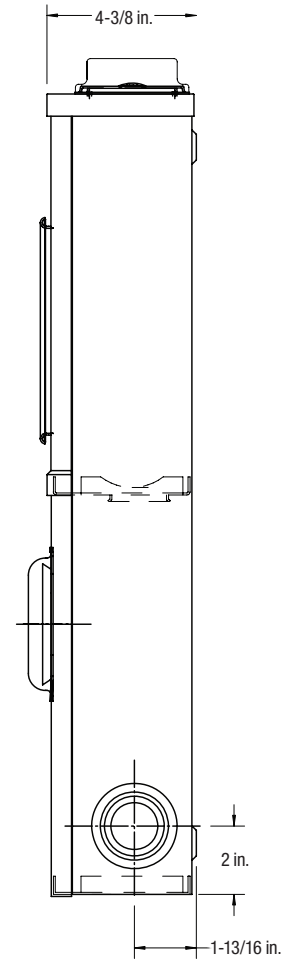


CO1 Series

100 A 120/240 V; Combination with or without Breaker

Product Specifications

- Conductor range (Line and Load): 6-1/0 AWG
- Aluminum tunnel type connectors for both load and line sides
- For overhead installation
- For underground installation, gutter option must be ordered (G)
- With factory-installed neutral conductor
- Suitable for 120/240 V single phase service entrance for mobile homes, trailers, temporary services, recreational parks and other commercial and residential locations
- Bottom compartment has provision for 2 pole circuit breaker (max. 100 A) Siemens (Q), Square D (QO), Eaton (BR)
- Supplied with screw type rings
- Weatherproof Type 3R enclosure
- **Primarily used in: All provinces**



 Approved for copper or aluminum

| Cat. No. | Type | Description | Dimensions (in.) | | | Weight Each | |
|--------------------|-------------|--|------------------|-------|-------|-------------|-----|
| | | | H | W | D | lb. | kg |
| 4 JAW | | | | | | | |
| CO1 | Overhead | Provision for Siemens (Q), 100 A 2 pole 10 kA rated circuit breaker | 23-1/2 | 8-1/4 | 4-3/8 | 15 | 6.8 |
| CO1-G | Underground | Provision for Siemens (Q), 100 A 2 pole 10 kA rated circuit breaker, c/w gutter | | | | | |
| CO1-5V | Overhead | Provision for Siemens (Q), 100 A 2 pole 10 kA rated circuit breaker, c/w 5 th jaw | | | | | |
| CO1-60 | Overhead | c/w Siemens Q260 60 A 2 pole 10 kA rated circuit breaker | | | | | |
| CO1-70 | Overhead | c/w Siemens Q270 70 A 2 pole 10 kA rated circuit breaker | | | | | |
| CO1-100 | Overhead | c/w Siemens Q2100 100 A 2 pole 10 kA rated circuit breaker | | | | | |
| CO1-100G | Underground | c/w Siemens Q2100 100 A 2 pole 10 kA rated circuit breaker, c/w gutter | | | | | |
| CO1-100HI | Overhead | c/w Siemens Q2100H 100 A 2 pole 22 kA rated circuit breaker | | | | | |
| CO1-100HI-G | Underground | c/w Siemens Q2100H 100 A 2 pole 22 kA rated circuit breaker, c/w gutter | | | | | |
| CO1-SD | Overhead | Provision for Square D type "QO" 100 A 2 pole 10 kA rated circuit breaker | | | | | |
| CO1-SD-G | Underground | Provision for Square D type "QO" 100 A 2 pole 10 kA rated circuit breaker, c/w gutter | | | | | |

Note: Some local utilities require a gutter option for underground services. Order with suffix -G.