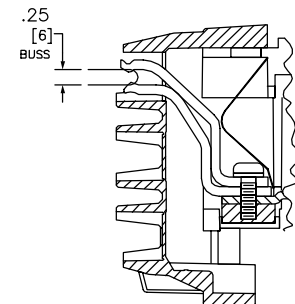
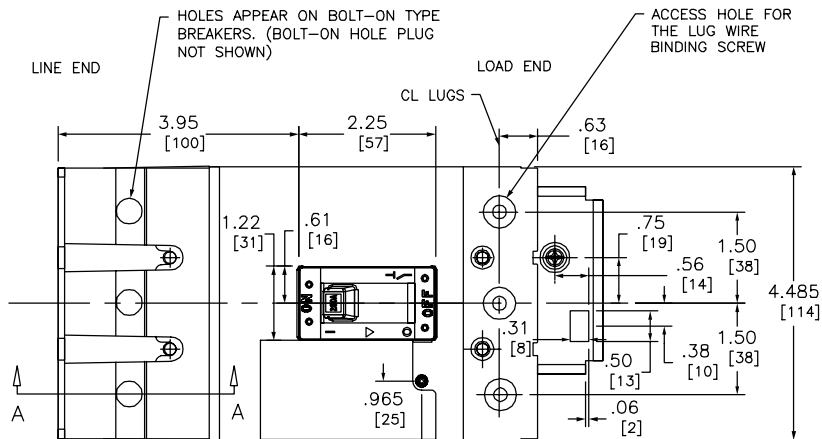
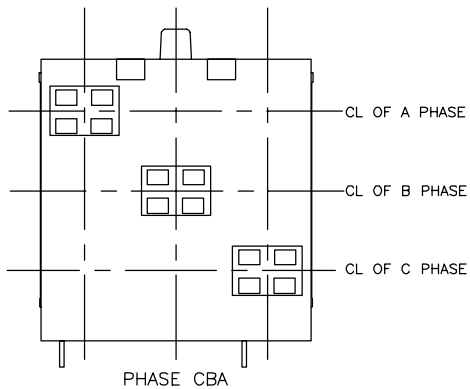


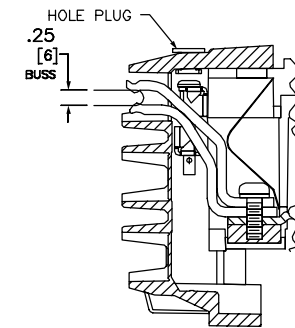
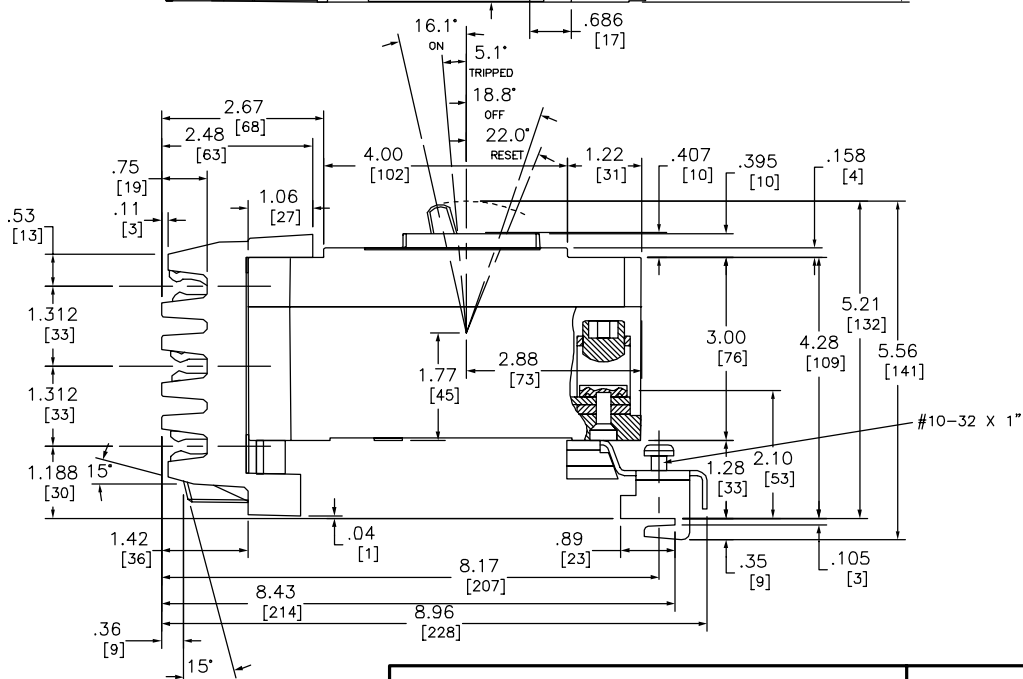
PHASE ABC  
VIEW OF SHROUD FROM PANEL SIDE (SAME AS LINE END)  
SHROUD AS SHOWN IS FOR 3 POLE LOAD END PHASE ABC.



SECTION A-A  
PLUG-ON I-LINE  
BREAKERS  
(Q\_A32)



PHASE CBA



SECTION A-A  
BOLT-ON I-LINE  
BREAKERS  
(Q\_E32)

DUAL DIMENSIONS: INCHES  
[MILLIMETERS]

POWERPACT 225A  
Q-FRAME  
I-LINE  
3-POLE  
MOLDED CASE CIRCUIT BREAKERS

**SQUARE D**  
Schneider Electric

DWG# 48996-020-02  
NO.