

Standard Drives Program




Accessories and Repair Parts – Field Installed

Accessories

| Catalog Number | Description ^⑥ |
|-------------------------|------------------------------------------------|
| 160-DM-SF1 ^① | 24V DC Interface (Analog Model) |
| 160-DM-PS1 ^① | 24V DC Interface (Preset Model) |
| 160-C10R | 1.0 m (3.3 ft.) Cable w/ right angle connector |
| 160-C10 | 1.0 m (3.3 ft.) Cable |
| 160-C30 | 3.0 m (9.8 ft.) Cable |
| 160-C50 | 5.0 m (16.4 ft.) Cable |
| 1321-M001 | Ferrite core (unwound) |
| 1321-M009 | Ferrite core (wound) |

Repair Parts

| Catalog Number | Description ^⑥ |
|----------------|--------------------------------------------------------------------|
| 160-FRK1 | Fan Replacement Kit, 0.75-2.2 kW (1-3 HP) for Series A or B drives |
| 160-FRK2 | Fan Replacement Kit, 0.75-2.2 kW (1-3 HP) for Series C drives |
| 160-FRK3 | Fan Replacement Kit, 4 kW (5 HP) for Series C drives |

| Drive Ratings | | | Dynamic Brake Module | Line Reactors - Open Style | RWR Module |
|----------------------------------------|------|------|------------------------------------------------------------------------------------|-------------------------------------------------------------------------------------|--------------------------------------------------------------------------------------|
| | | |  |  |  |
| Input Voltage Rating | kW | HP | Catalog Number ^⑥ | Catalog Number ^{②⑥} | Catalog Number ^{④⑥} |
| 200-240V, 50/60 Hz, Single-Phase | 0.37 | 0.5 | – | – | – |
| | 0.55 | 0.75 | – | – | – |
| | 0.75 | 1 | 160-BMA1 | – | – |
| | 1.5 | 2 | 160-BMA2 | – | – |
| 200-240V, 50/60 Hz, Three-Phase | 0.37 | 0.5 | – | 1321-3R4-B | – |
| | 0.55 | 0.75 | – | 1321-3R4-A | – |
| | 0.75 | 1 | 160-BMA1 | 1321-3R4-A | – |
| | 1.5 | 2 | 160-BMA2 | 1321-3R8-A | – |
| | 2.2 | 3 | 160-BMA2 | 1321-3R12-A | – |
| | 4.0 | 5 | 160-BMA2 ^③ | 1321-3R18-A | – |
| 380-460V, 50/60 Hz, Three-Phase | 0.37 | 0.5 | – | 1321-3R2-B | 1204-RWR2-09-B |
| | 0.55 | 0.75 | – | 1321-3R2-A | 1204-RWR2-09-B |
| | 0.75 | 1 | 160-BMB1 | 1321-3R2-A | 1204-RWR2-09-B |
| | 1.5 | 2 | 160-BMB2 | 1321-3R4-B | 1204-RWR2-09-B |
| | 2.2 | 3 | 160-BMB2 | 1321-3R8-B | 1204-RWR2-09-B |
| | 4.0 | 5 | 160-BMB2 ^③ | 1321-3R18-B | 1204-RWR2-09-B ^⑤ |

① Series B 24V Interface Modules are required for use with Series C Drives.

② Catalog numbers listed are for 3% impedance open style units. NEMA Type 1 and 5% impedance reactor types are also available, refer to publication 1321-2.0.

③ TWO UNITS MUST BE USED, wired in parallel.

④ Refer to Publication 1204-5.1 for dimensional information on RWR Devices.

⑤ The 1204-RWR2-09-B may be used at a 10.5 Amp current rating providing the cable length from drive to motor is less than 122 meters (400 feet).

⑥ For pricing information refer to the Bulletin 160 Price Sheet.

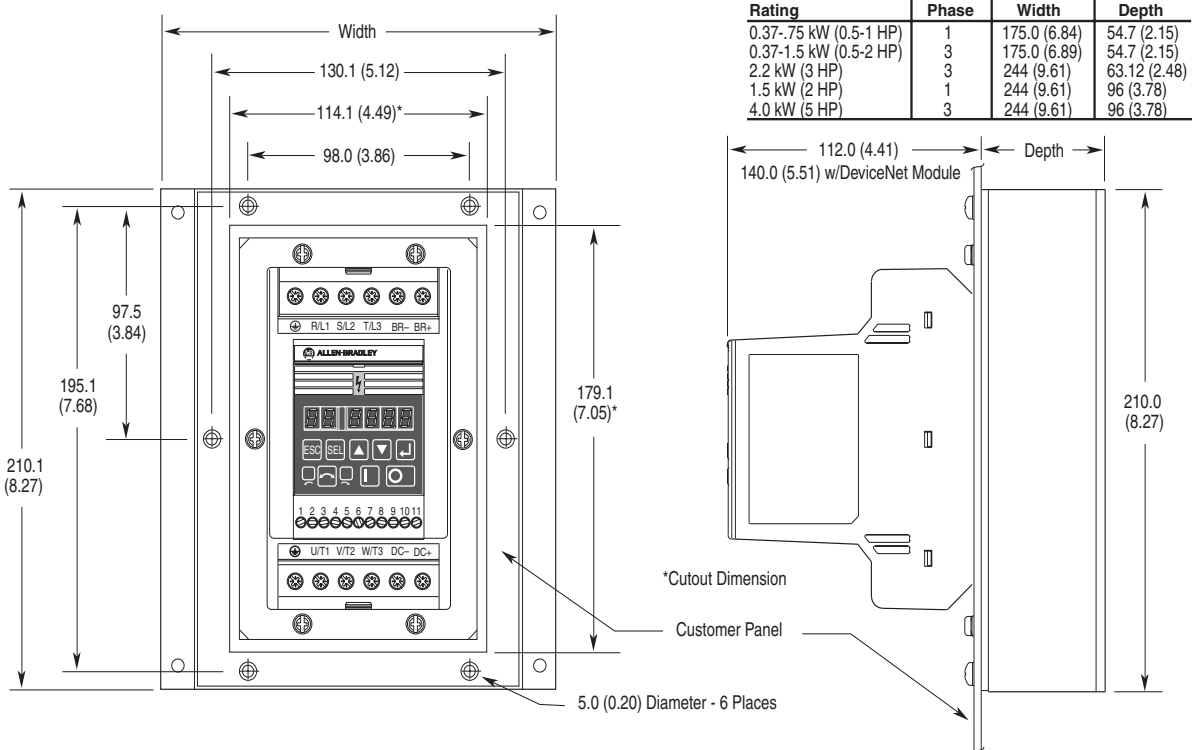
Standard Drives Program

Approximate Dimensions, Continued

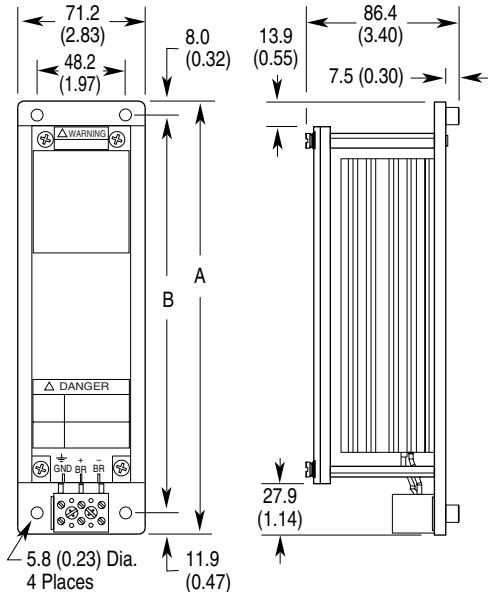
Dimensions are shown in millimeters (inches). Dimensions are not to be used for manufacturing purposes.

Chassis Mount, All Ratings

Approximate Weight is 7.26 kg (16 lbs.) through 1.5 kW (2 HP) and 7.71 kg (17 lbs.) for 2.2 kW (3 HP)



Dynamic Brake Module



| Catalog Number | A | B |
|-----------------|---------------|---------------|
| 160-BMA1, -BMB1 | 245.0 (9.64) | 225.0 (8.86) |
| 160-BMA2, -BMB2 | 334.0 (13.15) | 314.0 (12.36) |

Capacitor Module

