

FREE-STAND, TYPE 1



INDUSTRY STANDARDS

UL508A Listed; Type 1; File No. E61997
 cUL Listed per CSA C22.2 No. 40; Type 1; File No. E61997

NEMA/EEMAC Type 1
 IEC 60529 IP30

APPLICATION

Free-Stand Type 1 Enclosures are an economical way to protect electrical and electronic equipment in applications that do not require extensive environmental protection.

SPECIFICATIONS

- 14 gauge steel body and door; 12 gauge back covers
- 4-in. high 10 gauge steel integral lifting base
- Heights from 48 in. to 84 in. Usable height inside cabinet 4 in. less than nominal height.
- Sturdy 7 gauge lifting tabs
- Flush doors
- 3-point latch with heavy-duty handle
- Padlock provision in handle
- Predrilled holes in lifting base provide bolt-down capability
- Easily reversible doors on single-door models
- Overlapping doors with no center post on two-door models
- Bonding provision on each door
- Studs included for mounting optional panels on threaded bolts
- Optional rack angles mount to top and bottom of front flanges
- Removable back covers

FINISH

RAL 7035 light-gray polyester powder paint inside and outside. Optional panels have white or conductive finish. Rack angles have galvanized finish.

ACCESSORIES

- Panels for Free-stand, Type 1 Two-Door Enclosures
- Rack Angels
- HF Side-Mount Filter Fans
- Compact Axial Fans
- PANELITE Enclosure Lights

MODIFICATION AND CUSTOMIZATION

Hoffman excels at modifying and customizing products to your specifications. Contact your local Hoffman sales office or distributor for complete information.

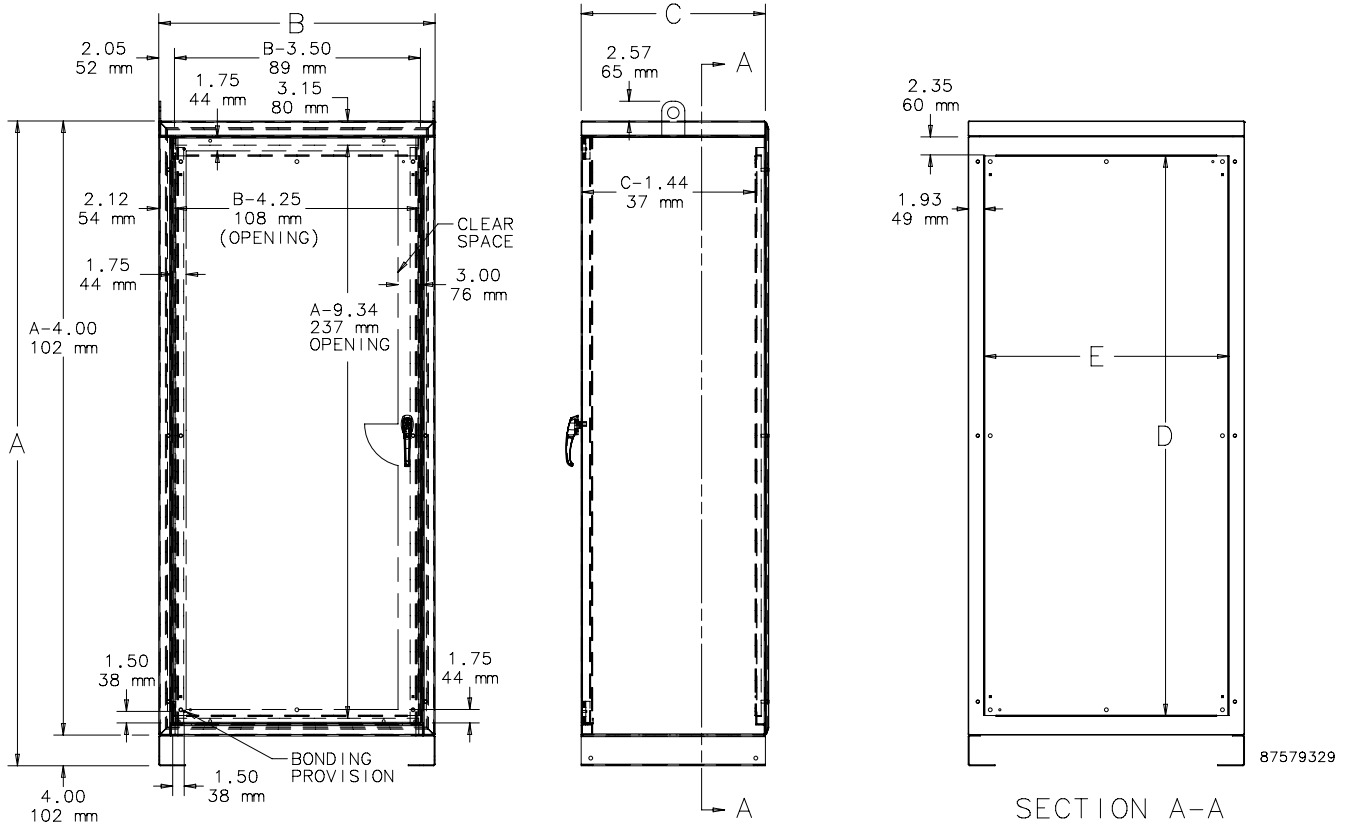
BULLETIN: A38

Standard Product **One-Door Enclosures**

Catalog Number	AxBxC in./mm	Panel	Conductive Panel	Panel Size D in./mm	Panel Size E in./mm
A48N2512FSLP	48.00 x 25.50 x 12.00 1219 x 648 x 305	A37P21N	A37P21NG	37.16 944	21.50 546
A48N2518FSLP	48.00 x 25.50 x 18.00 1219 x 648 x 457	A37P21N	A37P21NG	37.16 944	21.50 546
A60N2512FSLP	60.00 x 25.50 x 12.00 1524 x 648 x 305	A49P21N	A49P21NG	49.16 1249	21.50 546
A60N2518FSLP	60.00 x 25.50 x 18.00 1524 x 648 x 457	A49P21N	A49P21NG	49.16 1249	21.50 546
A60N2524FSLP	60.00 x 25.50 x 24.00 1524 x 648 x 610	A49P21N	A49P21NG	49.16 1249	21.50 546
A72N2518FSLP	72.00 x 25.50 x 18.00 1829 x 648 x 457	A61P21N	A61P21NG	61.16 1553	21.50 546
A84N2518FSLP	84.00 x 25.50 x 18.00 2134 x 648 x 457	A73P21N	A73P21NG	73.16 1858	21.50 546
A60N3618FSLP	60.00 x 36.00 x 18.00 1524 x 914 x 457	A49P32N	A49P32NG	49.16 1249	32.00 813
A72N3618FSLP	72.00 x 36.00 x 18.00 1829 x 914 x 457	A61P32N	A61P32NG	61.16 1553	32.00 813
A72N3624FSLP	72.00 x 36.00 x 24.00 1829 x 914 x 610	A61P32N	A61P32NG	61.16 1553	32.00 813
A84N3624FSLP	84.00 x 36.00 x 24.00 2134 x 914 x 610	A73P32N	A73P32NG	73.16 1858	32.00 813

Purchase panels separately.

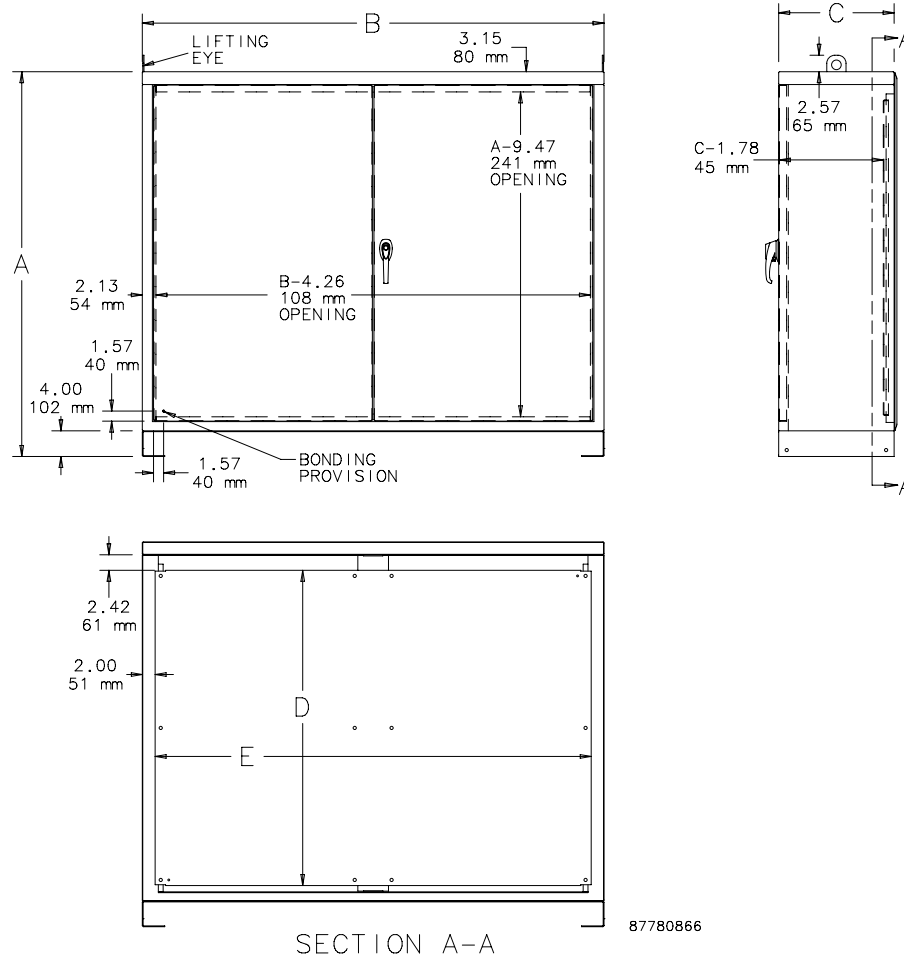
Free-Standing Type 1 Single-Door Enclosures Drawing



Standard Product Two-Door Enclosures

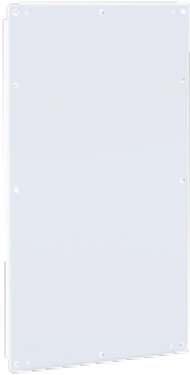
Catalog Number	AxBxC in./mm	Panel	Conductive Panel	Panel Size D in.	Panel Size E in.
A48N5212FSLP	48.00 x 52.00 x 12.00 1219 x 1321 x 305	A37P48N	A37P48NG	37.16 944	48.00 1219
A48N5218FSLP	48.00 x 52.00 x 18.00 1219 x 1321 x 457	A37P48N	A37P48NG	37.16 944	48.00 1219
A60N5212FSLP	60.00 x 52.00 x 12.00 1524 x 1321 x 305	A49P48N	A49P48NG	49.16 1249	48.00 1219
A60N5218FSLP	60.00 x 52.00 x 18.00 1524 x 1321 x 457	A49P48N	A49P48NG	49.16 1249	48.00 1219
A60N5224FSLP	60.00 x 52.00 x 24.00 1524 x 1321 x 610	A49P48N	A49P48NG	49.16 1249	48.00 1219
A60N7224FSLP	60.00 x 72.00 x 24.00 1524 x 1829 x 610	A49P68N	A49P68NG	49.16 1249	68.00 1727
A72N7218FSLP	72.00 x 72.00 x 18.00 1829 x 1829 x 457	A61P68N	A61P68NG	61.16 1553	68.00 1727
A72N7224FSLP	72.00 x 72.00 x 24.00 1829 x 1829 x 610	A61P68N	A61P68NG	61.16 1553	68.00 1727
A84N7218FSLP	84.00 x 72.00 x 18.00 2134 x 1829 x 457	A73P68N	A73P68NG	73.16 1858	68.00 1727
A84N7224FSLP	84.00 x 72.00 x 24.00 2134 x 1829 x 610	A73P68N	A73P68NG	73.16 1858	68.00 1727

Purchase panels separately.

Free-Standing Type 1 Two-Door Enclosures Drawing


87780866

PANELS FOR FREE-STAND, TYPE 1 ONE-DOOR ENCLOSURES



Panels for free-stand, Type 1 one-door standard and disconnect enclosures are 12 gauge steel. Panels have either polyester powder paint finish or a conductive, corrosion-resistant coating.

BULLETIN: A38P

Catalog Number	Finish	Panel Size D x E (in.)	Panel Size D x E (mm)
A37P21N	Painted steel	37.16 x 21.50	944 x 546
A37P21NG	Conductive	37.16 x 21.50	944 x 546
A49P21N	Painted steel	49.16 x 21.50	1249 x 546
A49P21NG	Conductive	49.16 x 21.50	1249 x 546
A61P21N	Painted steel	61.16 x 21.50	1553 x 546
A73P21N	Painted steel	73.16 x 21.50	1858 x 546
A73P21NG	Conductive	73.16 x 21.50	1858 x 546
A49P32N	Painted steel	49.16 x 32.00	1249 x 813
A49P32NG	Conductive	49.16 x 32.00	1249 x 813
A61P32N	Painted steel	61.16 x 32.00	1553 x 813
A61P32NG	Conductive	61.16 x 32.00	1553 x 813
A73P32N	Painted steel	73.16 x 32.00	1858 x 813
A73P32NG	Conductive	73.16 x 32.00	1858 x 813

PANELS FOR FREE-STAND, TYPE 1 TWO-DOOR ENCLOSURES



Panels for free-stand, Type 1 two-door standard and disconnect enclosures are 12 gauge steel. Panels have either polyester powder paint finish or a conductive, corrosion-resistant coating.

BULLETIN: A38P

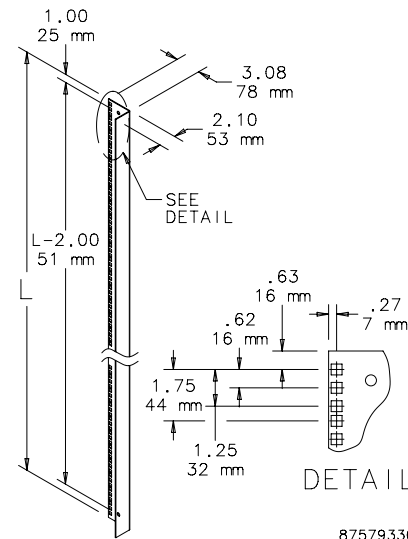
Catalog Number	Finish	Panel Size D x E (in.)	Panel Size D x E (mm)
A37P48N	Painted steel	37.16 x 48.00	944 x 1219
A37P48NG	Conductive	37.16 x 48.00	944 x 1219
A49P48N	Painted steel	49.16 x 48.00	1249 x 1219
A49P48NG	Conductive	49.16 x 48.00	1249 x 1219
A49P68N	Painted steel	49.16 x 68.00	1249 x 1727
A49P68NG	Conductive	49.16 x 68.00	1249 x 1727
A61P68N	Painted steel	61.16 x 68.00	1553 x 1727
A61P68NG	Conductive	61.16 x 68.00	1553 x 1727
A73P68N	Painted steel	73.16 x 68.00	1858 x 1727
A73P68NG	Conductive	73.16 x 68.00	1858 x 1727

RACK ANGLES

Use to install 19-in. wide equipment in 25.5-in. wide enclosures and 23-in. wide equipment in 36-in. wide enclosures. Order two sets for 52- and 72-in. wide two-door enclosures. Galvanized 14 gauge steel with square holes spaced to meet EIA 310-D standards. Mount to factory-drilled holes in top and bottom of front flange. Purchase clip nuts, catalog number AN1032, separately for component mounting.

BULLETIN: A38P

Catalog Number	L in./mm	Kit Qty.
ARA4819THG	41.63 1057	2
ARA6019THG	53.63 1362	2
ARA7219THG	65.63 1667	2
ARA8419THG	77.63 1972	2



GASKET KITS

Apply self-adhesive strip gaskets for gasketed NEMA 1 solution. Each kit includes sufficient gasket for any one- or two-door enclosure. Choose kit by number of doors.

BULLETIN: A38P

Catalog Number	Description
A38GSKT	For one-door enclosures
A38GSKT2	For two-door enclosures