


MENNEKES
 Electrical Products
 277 Fairfield Road
 Fairfield, NJ 07004
 800-882-7584
 www.MENNEKES.com

HDI DISCONNECT SWITCH

Part No. ME 80MS2A-M2

Description: 80 Amp 3Ø 600Vac Motor Disconnect with Early Break Aux Contacts - 1 N/O; 1 N/C

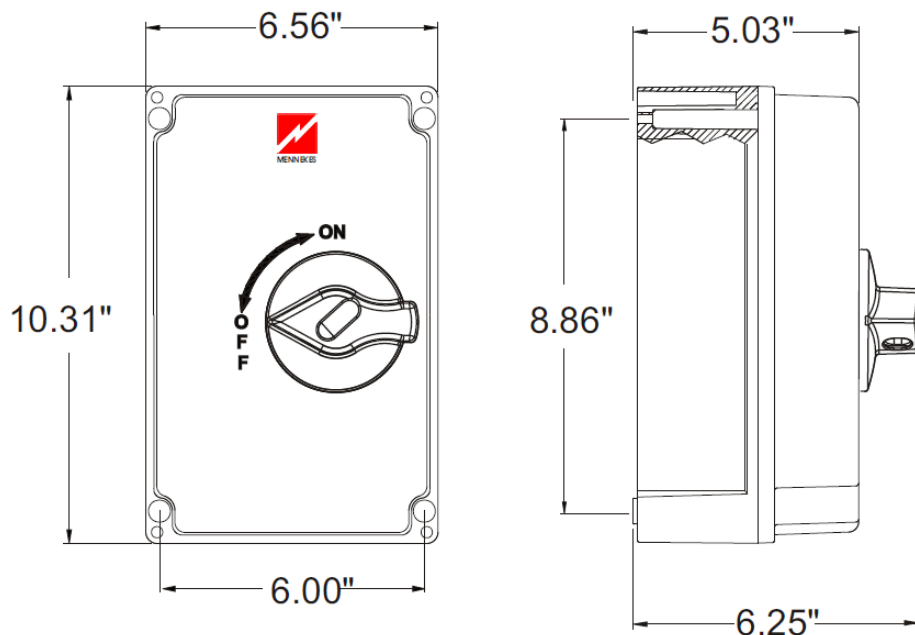
Construction: NEMA 4X; 12

Approvals:  to UL Standard 508 and CSA C22.2 No.14-10

Short Circuit Current Rating (SCCR): Suitable for use as a Motor Disconnect per NEC 430-109 (a)(6) @ 65,000 RMS Symmetrical Amps up to 600 VAC Max when protected with 100A Class J Fuses, permitting usage at full amperage rating of the switch.

HP RATINGS:

3 Ø		
240V	480V	600V
20	40	50



Drawing Not to Scale