

1321-Mxxx Common Mode Chokes

1321-Mxxx Common Mode Chokes can be installed with the following Allen-Bradley AC drives.

- PowerFlex® 4-Class
- PowerFlex® 520-Series
- PowerFlex® 7-Class
- PowerFlex® 750-Series
- 1305
- 1336 PLUS™
- 1336 PLUS™ II
- 1336 IMPACT™
- 1336 FORCE™

When installed at the drive output the common mode choke helps to guard against interference with other electrical equipment (Programmable Controllers, sensors, analog circuits, and so forth). In addition, reducing the PWM carrier frequency reduces the effects and lowers the risk of common mode noise interference.

Catalog Number Explanation

| Position | |
|----------|-------------------|
| 1-4 | 6 |
| 1321 | M 009 |
| <i>a</i> | <i>b</i> <i>c</i> |

| <i>a</i> | | <i>b</i> | | <i>c</i> | |
|----------|-----------------|----------|-------------------|----------------|------|
| Product | | Device | | Current Rating | |
| Code | Type | Code | Description | Code | Amps |
| 1321 | Power Component | M | Common Mode Choke | 001 * | 1 |
| | | | | 009 | 9 |
| | | | | 048 | 48 |
| | | | | 055 | 55 |
| | | | | 180 | 180 |
| | | | | 670 | 670 |

* Same core as 1321-M009. Can be used in place of the M009, M048, or M180 if the terminal block and windings typical of those ratings are not desired.

Ratings

PowerFlex AC Drives

| Choke Type | Used With | Ratings | Catalog Number |
|---|-----------------------|---|----------------|
| Open Style, 1A | All PowerFlex Drives | Communication Cables, Analog Signal Cables, and so forth | 1321-M001 |
| Open Style, 9A (with terminal strip) | PowerFlex 4M/4/40/40P | 0.2...1.1 kW (0.25...2 HP), 100...115V 0.2...1.5 kW (0.25...2 HP), 200...240V 0.4...2.2 kW (0.5...3 HP), 380...480V | 1321-M009 |
| | PowerFlex 400 | 2.2 kW (3 HP) 400...480V | |
| | PowerFlex 520-Series | 0.2...1.1 kW (0.25...1.5 HP), 100...120V 0.2...1.1 kW (0.25...2 HP), 208...240V 0.4...2.2 kW (0.5...3 HP), 400...480V | |
| | PowerFlex 7-Class | 0.3...2.2 kW (0.5...3 HP), 208...230V 0.4...4 kW (0.5...5 HP), 400...480V | |
| | PowerFlex 750-Series | 0.75...4 kW (0.5...5 HP), 400...480V | |
| Open Style, 48A | PowerFlex 4M/4/40/40P | 2.2...7.5 kW (3...10 HP), 200...240V 2.2...11 kW (3...15 HP), 380...480V 2.2...11 kW (3...15 HP), 600V | 1321-M048 |
| | PowerFlex 400 | 2.2...11 kW (3...15 HP), 200...240V 4...22 kW (5...30 HP), 380...480V | |
| | PowerFlex 520-Series | 0.2...14 kW (3...20 HP), 200...240V 4...22 kW (5...30 HP), 400...480V 5.5...22 kW (7.5...30 HP), 600V | |
| | PowerFlex 7-Class | 2.2...11 kW (3...15 HP), 208...240V 4...22 kW (5...30 HP), 400...480V 5.5...37 kW (10...40 HP), 600V | |
| | PowerFlex 750-Series | 5.5...22 kW (7.5...30 HP), 400...480V 5.5...37 kW (7.5...40 HP), 600...690V | |

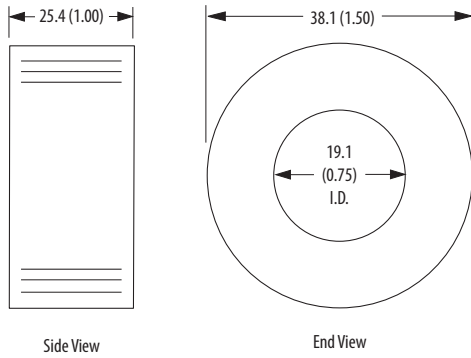
| Choke Type | Used With | Ratings | Catalog Number |
|------------------|----------------------|--|----------------|
| Open Style, 55A | PowerFlex 7-Class | 14 kW (20 HP), 208...240V 22...30 kW (30...40 HP), 400...480V 45 kW (50 HP), 600V | 1321-M055 |
| | PowerFlex 750-Series | 22...30 kW (30...40 HP), 400...480V 45 kW (50 HP), 600...690V | |
| Open Style, 180A | PowerFlex 7-Class | 14...44 kW (20...60 HP), 208...240V 30...110 kW (40...150 HP), 400...480V 45...132 kW (50...150 HP), 600V | 1321-M180 |
| | PowerFlex 750-Series | 30...90 kW (40...125 HP), 400...480V 45...132 kW (50...150 HP), 600...690V | |
| Open Style, 670A | PowerFlex 7-Class | 55...75 kW (75...100 HP), 208...240V 149...373 kW (200...500 HP), 400...480V 149...522 kW (200...700 HP), 600V | 1321-M670 |
| | PowerFlex 750-Series | 110...447 kW (150...600 HP), 400...480V 149...597 kW (200...800 HP), 600...690V | |

Allen-Bradley Legacy AC Drives

| Choke Type | Used With | Ratings | Catalog Number |
|---|--------------------------------------|--|----------------|
| Open Style, 1A | All Legacy Drives | Communication Cables, Analog Signal Cables, and so forth | 1321-M001 |
| Open Style, 9A (with terminal strip) | 1305, 1336 PLUS, and 1336 PLUS II | 0.37...2.2 kW (0.5...2 HP), 230V 0.37...3.7 kW (0.5...5 HP), 480V | 1321-M009 |
| | 1336 IMPACT | 0.37...3.7 kW (0.5...5 HP), 480V | |
| | 1336 FORCE | 0.75 kW (1 HP), 230V 0.75...2.2 kW (1...3 HP), 480 and 600V | |
| Open Style, 48A | 1336 PLUS and 1336 PLUS II | 2.2...11 kW (3...15 HP), 230V 5.5...22 kW (7.5...30 HP), 480V 0.75...30 kW (1...40 HP), 600V | 1321-M048 |
| | 1336 IMPACT | 5.5...22 kW (7.5...30 HP), 480V 5.5...30 kW (7.5...40 HP), 600V | |
| | 1336 FORCE | 2.2...11 kW (3...15 HP), 230V 2.2...22 kW (3...30 HP), 480V 0.75...30 kW (1...40 HP), 600V | |
| Open Style, 55A | 1336 PLUS II | 14 kW (20 HP), 230V 22...30 kW (30...40 HP), 480V 45 kW (50 HP), 600V | 1321-M055 |
| | 1336 IMPACT | 22...30 kW (30...40 HP), 480V 45 kW (50 HP), 600V | |
| Open Style, 180A | 1336 PLUS and 1336 PLUS II | 15...45 kW (20...60 HP), 230V 30...112 kW (40...150 HP), 480V 37...112 kW (50...150 HP), 600V | 1321-M180 |
| | 1336 IMPACT | 30...112 kW (40...150 HP), 480V 37...93 kW (50...125 HP), 600V | |
| | 1336 FORCE | 15...45 kW (20...60 HP), 230V 30...112 kW (40...150 HP), 480V 37...112 kW (50...150 HP), 600V | |
| Open Style, 670A | 1336 PLUS and 1336 PLUS II | 56...93 kW (75...125 HP), 230V 112...448 kW (150...600 HP), 480V 149...448 kW (200...600 HP), 600V | 1321-M670 |
| | 1336 IMPACT | 112...448 kW (150...600 HP), 480V 149...448 kW (200...600 HP), 600V | |
| | 1336 FORCE | 56...93 kW (75...125 HP), 230V 112...448 kW (150...600 HP), 480V 149...448 kW (200...600 HP), 600V | |

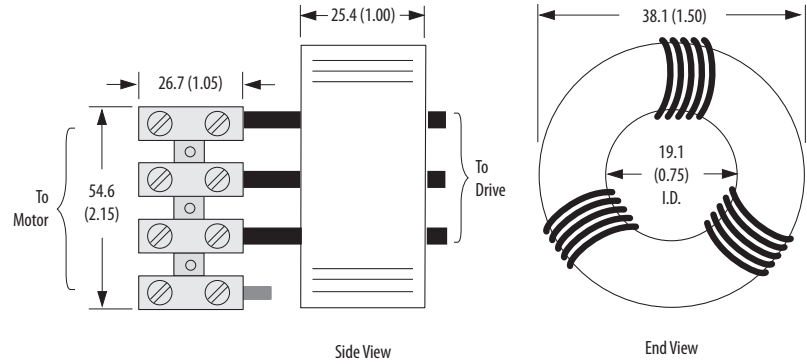
Approximate Mounting Dimensions

1321-M001 Choke Assembly



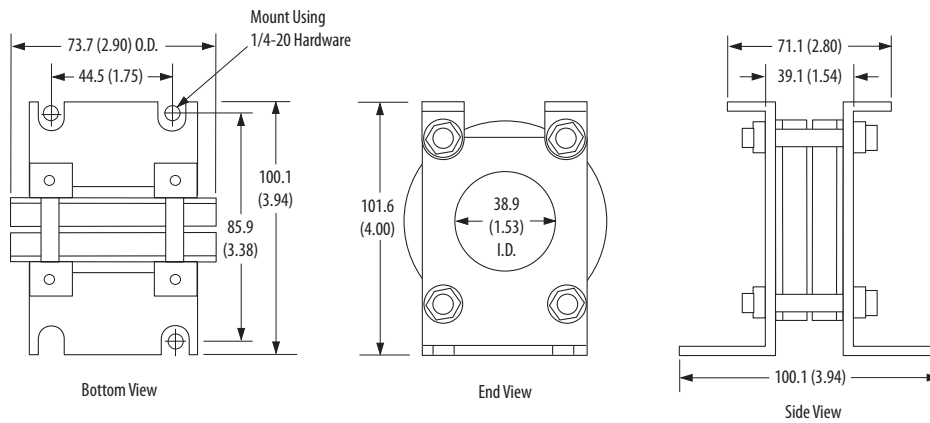
Dimensions in mm (inches)

1321-M009 Choke Assembly



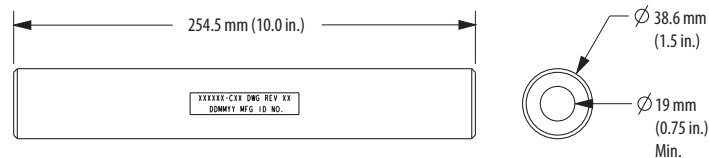
Dimensions in inches (mm)

1321-M048 Choke Assembly



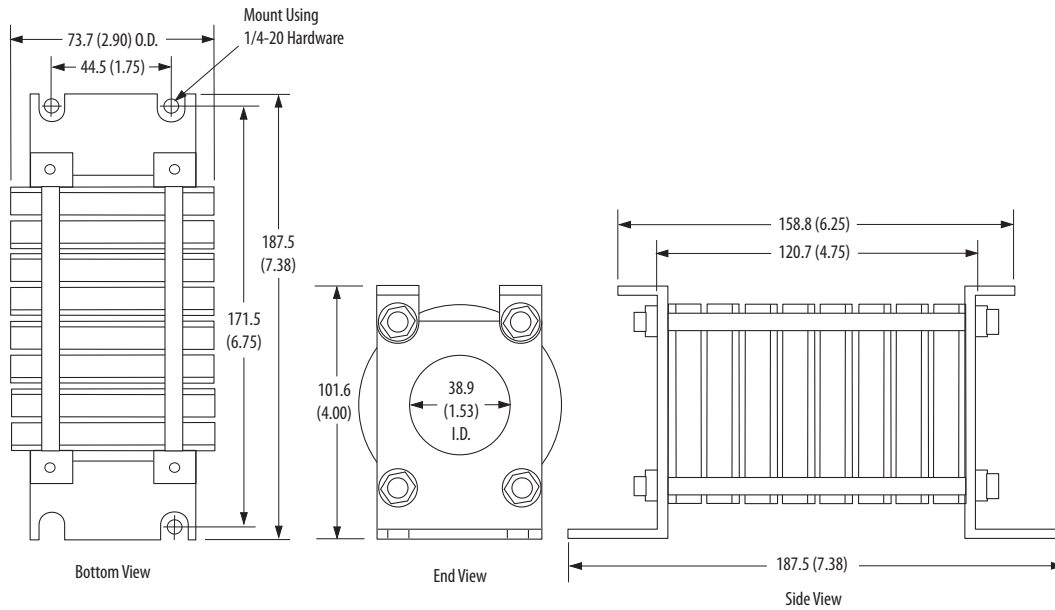
Dimensions are in mm (in.)

1321-M055 Choke Assembly



Dimensions in mm (inches)

1321-M180 Choke Assembly



1321-M670 Choke Assembly

