



# Ark•Gard® Series ENC Connectors

Providing safe and simple connections in hazardous environments

**COOPER** Crouse-Hinds



Designed,  
engineered and  
manufactured for:

- Safety
- Reliability
- Ease-of-use

# ENC Connectors

## FEATURES AND BENEFITS

### Uni-Shell™ Handle Body:

- Provides a smooth durable external surface that prevents the connector from getting snagged on equipment or other cables

### Spring-Loaded Sliding Key Offers Increased Safety:

- Rejects standard NEMA/EEMAC configuration plugs that could cause an arc in a hazardous area
- Prevents the faceplate from being rotated until the ENP plug is fully inserted

### Increased Environmental Reliability with Hinged-Locking Cover:

- Provides weather protection in damp, wet and dirty locations
- Cover stays closed until connection with ENP plug is required



### Plug Gaskets:

- Two gaskets cover the entire range of cable diameters reducing risk of improper assembly
- Gasket ratchets into tri-lock cable grip to prevent connector from turning or loosening



### Improved Safety with Integral Lockout/Tagout:

- Eliminates risk of operator or contractor plugging in process equipment when conditions are unsafe



### Increased Safety with Captive Tri-Lock Design:

- Three points of contact prevent pinching of cables that could damage internal conductors or cable jacket
- Captive screws prevent critical components from getting lost during installation



### Saddle Clamp Terminals:

- Increased safety with easy-to-terminate connection points for reliable conductor terminations



### Mates with Cooper Crouse-Hinds Frustration-Free ENP Plug



### Snap-In Internal Insulator:

- Increases safety of personnel with intermediate insulator between conductors and metallic outer shell



## APPLICATIONS

### Hazardous ENC Connectors are used:

- Standard maintenance or plant turnarounds to provide power connections for:
  - portable hand lamps for visual inspections
  - portable light fixtures for general illumination
  - portable hand tools such as saws or grinders
- Standard operation to provide a means of quick disconnect to move or disassemble equipment such as:
  - motor generator units
  - portable control rooms
  - pumps and motors

### Common applications include:

- Refineries
- Chemical Plants
- LNG facilities
- Wastewater Treatment Facilities
- Drilling and Exploration

## CERTIFICATIONS AND COMPLIANCES

- CSA Certified CSA C22.2 No. 159M
- Class I, Groups B, C, D
- Class II, Groups G, Coal Dust
- Class III
- NEMA 3R, Weatherproof
- NEC article 501.140 compliance

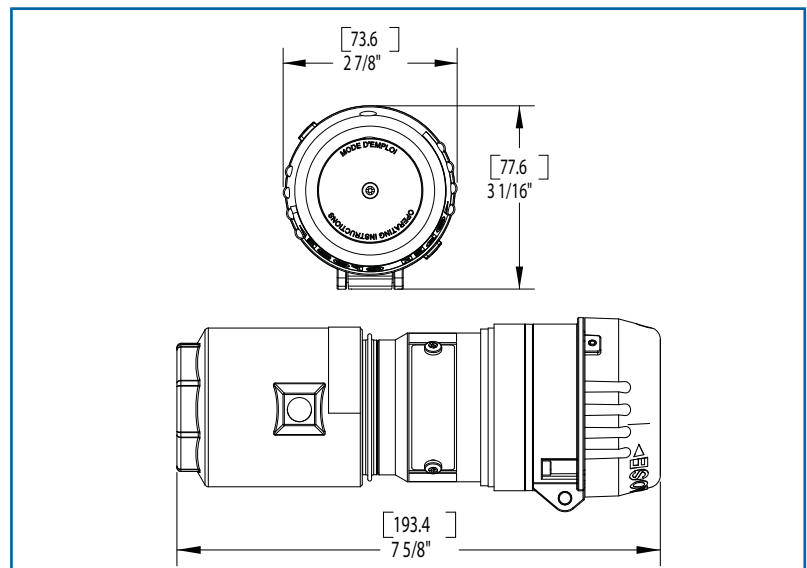
## OPTIONS

- S752 - Corro-Free™ epoxy powder finish for added corrosion resistance

## ORDERING INFORMATION

Rating	Cord Range	Connector Cat. #	NEMA Config.	Plug Cat. #	NEMA Config.
15 Amp 125 Volt	0.39 -1.20	ENC5151 CAN	 5-15R	ENP5151	 5-15P
15 Amp 250 Volt	0.39 -1.20	ENC6152 CAN	 6-15R	ENP6152	 6-15P
20 Amp 125 Volt	0.39 -1.20	ENC5201 CAN	 5-20R	ENP5201	 5-20P
20 Amp 250 Volt	0.39 -1.20	ENC6202 CAN	 6-20R	ENP6202	 6-20P

## DIMENSIONS



## ARK•GARD SERIES® PLUG, RECEPTACLE AND CONNECTOR

The Ark•Gard® Series from Cooper Crouse-Hinds® is the ideal solution for rugged and industrial NEMA configured applications up to 20 amperes. This line offers protection in both non-hazardous areas and environments made hazardous by the presence of flammable vapors and gases, or combustible dusts. Built-in safety features reject standard NEMA configuration plugs that could cause an arc in hazardous areas.

- **ENR Receptacle.** The ENR Receptacle is used where power is supplied to portable electrical equipment such as compressors, tools, and lighting systems in hazardous and/or corrosive environments. This product can also be installed in areas classified as Class I, Group B when mounted on a single gang EDS back box.
- **ENC Connector.** This NEMA blade style connector makes it safe and easy to bring power wherever it is needed. It provides versatility for making cord sets for connecting portable devices or as a means of quick disconnect.
- **ENP Plug.** The ENP Plug's rugged construction and NEMA configuration provides one universal plug solution. This plug is suitable for use with hazardous area ENR Receptacles, ENC Connectors and non-hazardous NEMA configured Receptacles.

**For more information:**

If further assistance is required, please contact an authorized Cooper Crouse-Hinds Distributor, Sales Office, or Customer Service Department

**U.S. (Global Headquarters):**

**Cooper Crouse-Hinds**

Wolf & Seventh North Streets  
Syracuse, NY 13221  
(866) 764-5454  
FAX: (315) 477-5179  
FAX Orders Only: (866) 653-0640  
crouse.customerctr@cooperindustries.com

**Canada:**

**Cooper Crouse-Hinds Canada**

Toll Free: 800-265-0502  
FAX: (800) 263-9504  
FAX Orders only: (866) 653-0645

**Mexico/Latin America/Caribbean:**

**Cooper Crouse-Hinds, S.A. de C.V.**

52-555-804-4000  
FAX: 52-555-804-4020  
mxmercadotecnia@cooperindustries.com

**Europe (Germany):**

**Cooper Crouse-Hinds GmbH**

49 (0) 6271 806-500  
49 (0) 6271 806-476  
sales.CCH.de@cooperindustries.com

**Middle East (Dubai):**

**Cooper Crouse-Hinds LLC**

971 4 4272500  
FAX: 971 4 4298521  
sales.CCH.me@cooperindustries.com

**Singapore:**

**Cooper Crouse-Hinds Pte. Ltd.**

65-6297-4849  
FAX: 65-6297-4819  
chsi-sales@cooperindustries.com

**China:**

**Cooper Crouse-Hinds Pte. Ltd.**

86-21-2899-3600  
FAX: 86-21-2899-4055  
cchsales@cooperindustries.com

**Korea:**

**Cooper Crouse-Hinds Korea**

82 2 538 3425  
82 2 538 3505  
CCHK-sales@cooperindustries.com

**Australia:**

**Cooper Electrical Australia**

61-2-8787-2777  
FAX: 61-2-9609-2342  
CEASales@cooperindustries.com

**India:**

**Cooper India Pvt. Ltd.**

91-124-4683888  
FAX: 91-124-4683899  
cchindia@cooperindustries.com

[www.crouse-hinds.com](http://www.crouse-hinds.com)

Cooper Crouse-Hinds is a registered trademark of Cooper Industries, Inc.  
©2011 Cooper Industries, Inc.

**Your Authorized Cooper Crouse-Hinds Distributor is:**

**Cooper Industries, Ltd.**  
600 Travis, Ste. 5800  
Houston, TX 77002-1001  
P: 713-209-8400  
[www.cooperindustries.com](http://www.cooperindustries.com)

