

**METERING, TYPE 1**

**INDUSTRY STANDARDS**

CSA File Number 42184: Type 1  
 NEMA/EEMAC Type 1  
 IEC 60529, IP30

**APPLICATION**

This enclosure houses metering transformers and instrument assemblies in indoor applications. HQ models meet Hydro-Québec requirements. It includes one prepunched accessory, one potential transformer and one current transformer panel, and a four-lug splitter block.

**FEATURES**

- Gland plates on top of two-door enclosure for meter connection
- Hinged door with pull latch and provision for padlocking
- Mounting holes in back

**SPECIFICATIONS**

- 14 or 16 gauge steel

**FINISH**

ANSI 61 gray polyester powder paint finish inside and out

**BULLETIN: M1**

**Standard Product Metering Cabinets**

Catalog Number	AxBxC in.	AxBxC mm	Panel Dimensions D x E (in.)	Panel Dimension D x E (mm)	Door
AMC271310R	27.00 x 13.00 x 10.00	686 x 330 x 254	22.75 x 8.75	578 x 222	Single
AMC302010R	30.00 x 20.00 x 10.00	762 x 508 x 254	25.75 x 15.75	654 x 400	Single
AMC303010R	30.00 x 30.00 x 10.00	762 x 762 x 254	25.75 x 25.75	654 x 654	Double
AMC363612R	36.00 x 36.00 x 12.00	914 x 914 x 305	31.75 x 31.75	806 x 806	Double
AMC484812R	48.00 x 48.00 x 12.00	1219 x 1219 x 305	43.75 x 43.75	1111 x 1111	Double

**Standard Product UG-Series Cabinets**

Catalog Number	AxBxC in.	AxBxC mm	Door
AMC202010UG	20.00 x 20.00 x 10.00	508 x 508 x 254	Single
AMC303010UG	30.00 x 30.00 x 10.00	762 x 762 x 254	Double
AMC363612UG	36.00 x 36.00 x 12.00	914 x 914 x 305	Double
AMC484812UG	48.00 x 48.00 x 12.00	1219 x 1219 x 305	Double

Panels included.

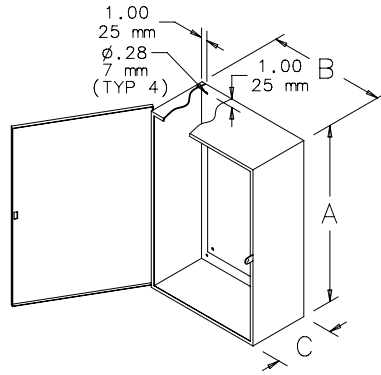
**Standard Product Metering Cabinets Meeting Hydro-Québec Requirements**

Catalog Number	AxBxC in.	AxBxC mm	Door
AMC303010HQ	30.00 x 30.00 x 10.00	762 x 762 x 254	Double
AMC363612HQ	36.00 x 36.00 x 12.00	914 x 914 x 305	Double
AMC484812HQ	48.00 x 48.00 x 12.00	1219 x 1219 x 305	Double

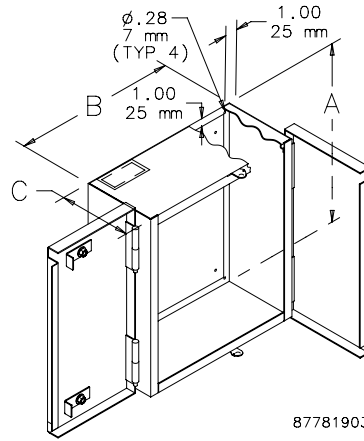
**Panels Included with Hydro-Québec Cutouts**

Catalog Number	AxBxC in.	AxBxC mm	Panel with Cutouts for	D (in.)	D (mm)	E (in.)	E (mm)
A32N34HQ	12.76 x 13.39 x 0.10	324 x 340 x 3	Current Transformer	12.76	324	13.39	340
A62N17HQ	24.69 x 7.01 x 0.10	627 x 178 x 3	Accessory	24.69	627	7.01	178
A65N38HQ	25.59 x 15.00 x 1.25	650 x 381 x 32	Main and Potential Transformer	25.59	650	15.00	381

**Single-Door Enclosures**

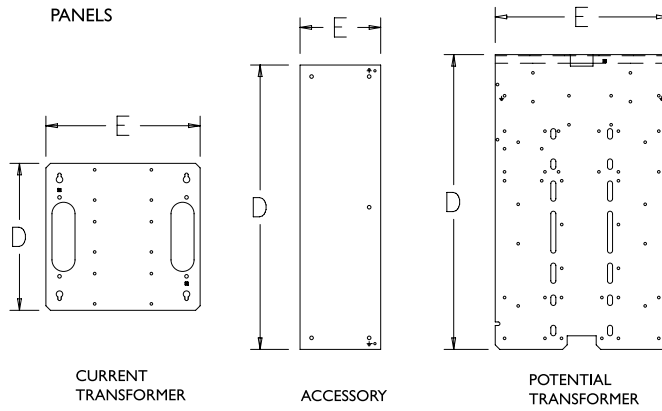


**Two-Door Enclosures**



87781903

**PANELS**



87781904