

140DRA84000

discrete output module Modicon Quantum - 16 O



Main

Range of product	Modicon Quantum automation platform
Product or component type	Relay discrete output module
Discrete output number	16

Complementary

Contacts type and composition	1 NO
Contact form	Form A
Discrete output voltage	20...250 V AC 30...150 V DC 5...30 V DC
Addressing requirement	1 output word
Minimum load	>= 50 mA 20...250 V AC >= 50 mA 5...30 V DC
Maximum load current	1 A 250/30 V AC/DC 1/8 hp cos phi = 0.4 1 A 250/30 V AC/DC tungsten 2 A 250/30 V AC/DC resistive at 60 °C 300 mA 30...50 V DC resistive
Surge current	<= 10 A for 10 ms capacitive
Switching capacity in VA	500 VA resistive
Response time on input open	<= 10 ms at state 0 to state 1 <= 20 ms at state 1 to state 0
Mechanical durability	10000000 cycles
Electrical durability	100000 cycles 100 mA 30...150 V DC L/R = 10 ms 100000 cycles 2 A 30 V DC resistive 100000 cycles 30...150 V DC interposing relay 100000 cycles 300 mA 30...150 V DC resistive 200000 cycles 2 A 250 V AC resistive 50000 cycles 500 mA 30...150 V DC resistive
Output overvoltage protection	Internal by varistor, 275 V
Isolation between channels	1780 Vrms AC for 1 minute
Isolation between channels and bus	1780 Vrms AC for 1 minute 2500 V DC for 1 minute
Power dissipation	5.5 W + (0.5 x the number of points on)
Marking	CE
Local signalling	1 LED green bus communication is present (Active) 1 LED red external fault detected (F) 16 LEDs green input status
Bus current requirement	1100 mA
Module format	Standard
Product weight	0.41 kg

Environment

The information provided in this documentation contains general descriptions and/or technical characteristics of the products contained herein. This documentation is not intended as a substitute for and is not to be used for determining suitability or reliability of these products for specific user applications. It is the duty of any such user or integrator to perform the appropriate and complete risk analysis, evaluation and testing of the products with respect to the relevant specific application or use thereof. Neither Schneider Electric Industries SAS nor any of its affiliates or subsidiaries shall be responsible or liable for misuse of the information contained herein.

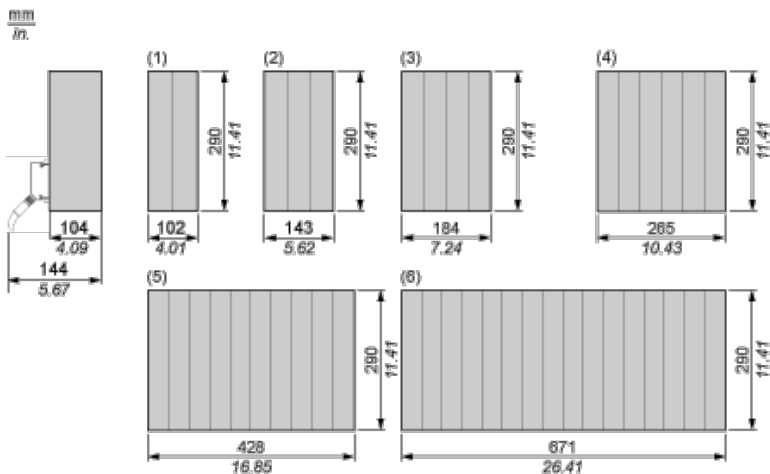
product certifications	ABS C-Tick FM Class 1 Division 2 GOST
standards	CSA C22.2 No 142 UL 508
resistance to electrostatic discharge	4 kV contact conforming to IEC 801-2 8 kV on air conforming to IEC 801-2
resistance to electromagnetic fields	10 V/m 80...2000 MHz conforming to IEC 801-3
ambient air temperature for operation	0...60 °C
ambient air temperature for storage	-40...85 °C
relative humidity	95 % without condensation
operating altitude	<= 5000 m

Offer Sustainability

Sustainable offer status	Green Premium product
RoHS (date code: YYWW)	Compliant - since 1001 - Schneider Electric declaration of conformity
REACH	Reference not containing SVHC above the threshold
Product environmental profile	Available
Product end of life instructions	Available

Racks for Modules Mounting

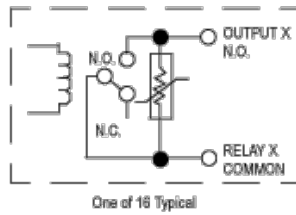
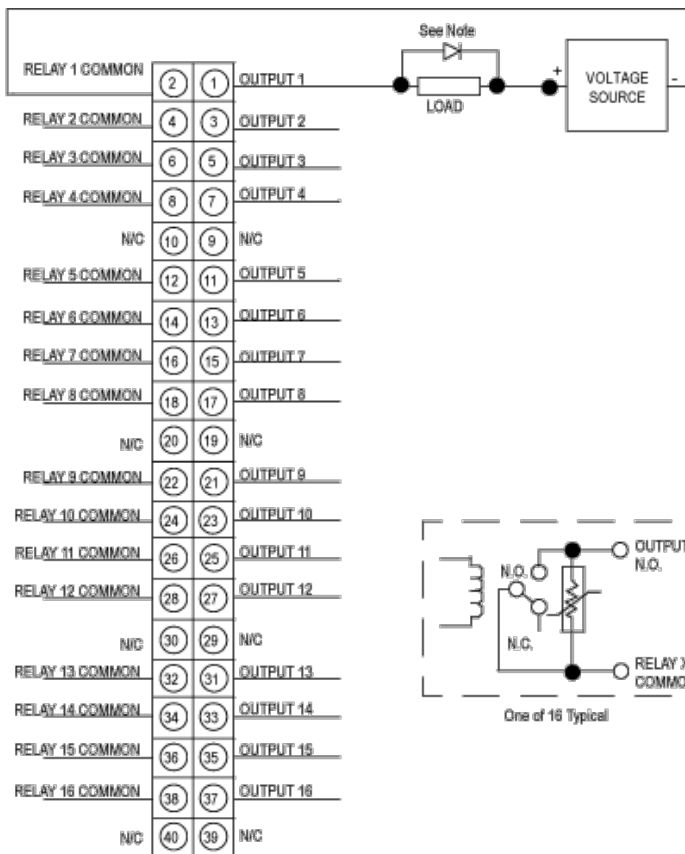
Dimensions of Modules and Racks



- (1) 2 slots
- (2) 3 slots
- (3) 4 slots
- (4) 6 slots
- (5) 10 slots
- (6) 16 slots

Relay Output Normally Open Module

Wiring Diagram



N/C Not Connected
 N.O. Normally Open
 N.C. Normally Closed