

# Straight Blade Devices

## 15A, 277V AC, 2 Pole, 3 Wire Grounding

### Receptacle

#### Features

- Finder groove face
- Auto ground clip

#### Ordering Information

Description	Device Color	UPC	Catalog Number
Flush duplex, back and	Brown	783585014241	HBL5302

#### Listings

UL Listed to UL498 File E1706  
 CSA Certified to C22.2 No. 42 File 280C  
 NEMA® WD-6 Compliant

#### Specifications

Face	Phenolic
Base	Phenolic
Power Contacts	.032 in. (.8) Bronze
Wire Clamps	Cold rolled steel
Terminal Screws	Plated brass
Mounting Strap	Steel
Automatic Self-grounding Clip	Stainless steel
Mounting Screws	Zinc plated steel

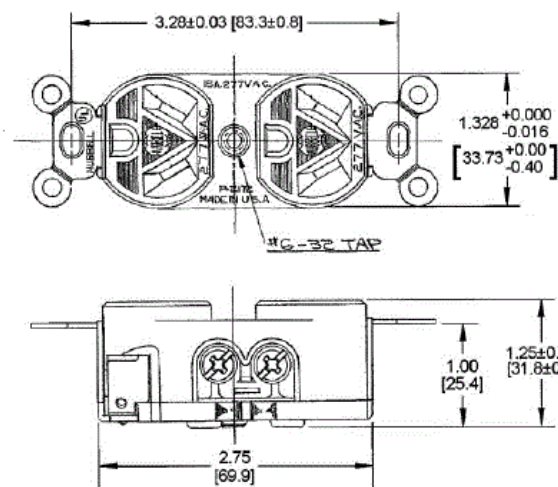
#### Performance

Electrical	
Current Interrupting	Certified for current interrupting at full rated current
Dielectric Voltage	Withstands 2,000V minimum
Mechanical	
Product Identification	Ratings are a permanent part of the device
Terminal Accommodation	#14-#10 AWG copper stranded or solid conductor only
Terminal Identification	Terminals identified in accordance with UL 498 and CSA
Environmental	
Flammability	UL 94 V-0
Operating Temperatures	Maximum continuous 75°C; minimum -40°C (w/o impact)

# HUBBELL



15A 277V AC  
 NEMA 7-15R  
 UL CSA  
 2 HP



#### Online Resources

Customer Use Drawing  
 eCatalog  
 Installation Instructions

#### Accessories

Wallplate or Weatherproof Cover  
 Mating Plug

Duplex Openin  
 HBL5929

Dimensions in Inches (mm)

Hubbell Wiring Device-Kellems • Hubbell Incorporated (Delaware) • 40 Waterview Drive • Shelton, CT 06484

Phone (800) 288-6000 • Fax (800) 255-1031 • Specifications subject to change without notice.

