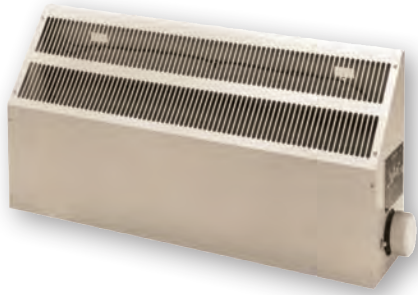


PXG

Explosion-Proof Sloped Top Convector Heater



Features

Color

- Standard: beige.

Voltage

- 120V, 208V, 240V, 347V, 480V, 600V, 1 or 3-phase.

Construction

- Sloped top, 18-gauge steel cabinet.
- Low temperature convection.
- Linear high-limit temperature control with automatic reset.
- Sealed junction box.

Heating element

- Cooper tubular heating element with aluminum fins.

Watt density

- Varies according to temperature code.

Control

- Built-in or wall thermostat available.

Installation

- Built-in wall brackets.
- Minimum mounting height of 6 in. (152 mm) above the floor.

Warranty

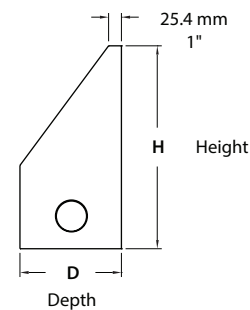
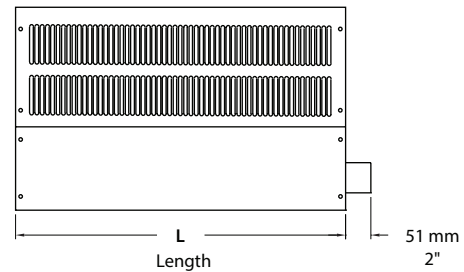
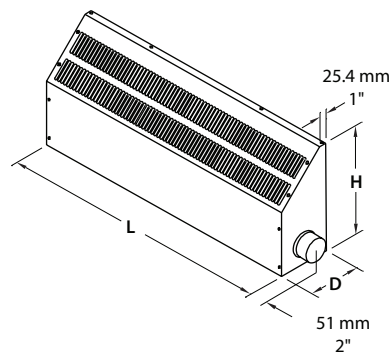
- 1-year warranty against defects.

Application

- Paint room, chemical storage, petrochemical plant, oil refinery, dry cleaning plant, coal handling facility.

Maximum room temperature: 40 °C (104 °F).

Consult the Electrical Code in your area before installing this unit.



Units Sizes	L		H		D		Weight	
	mm	in.	mm	in.	mm	in.	kg	lb
1	660	26	150	6	110	4 1/2	6	13
2	660	26	410	16	200	8	12	27
3	990	39	410	16	200	8	16	36
4	1710	67 1/2	410	16	200	8	27	60

Models

Watts	Product #		Product # 208V (3 ph)	Product # 240V (1 ph)	Product # 347V (1 ph)	Product # 600V (3 ph)	Temperature Code ²	Model
	120V (1 ph)	208V (1 ph)						
Class I, Groups B³, C and D, Divisions 1 and 2								
500	OPX2A0502	OPX2A0508	-	OPX2A0500	-	-	T2A	1 ¹
1000	OPX2A1002	OPX2A1008	-	OPX2A1000	OPX2A1007	-	T2A	1 ¹
1800	OPX2A1802	OPX2A1808	-	OPX2A1800	OPX2A1807-CTT	OPX2A1836-CTT	T2A	2
2500	-	OPX2A2508	OPX2A2538-CTT	OPX2A2500	OPX2A2507-CTT	OPX2A2536-CTT	T2A	2
3600	-	OPX2A3608	OPX2A3638-CTT	OPX2A3600	OPX2A3607-CTT	OPX2A3636-CTT	T2A	3
4400	-	-	OPX2A4438-CTT	OPX2A4400	OPX2A4407-CTT	OPX2A4436-CTT	T2A	3
6500	-	-	OPX2A6538-CTT	OPX2A6500-CTT	OPX2A6507-CTT	OPX2A6536-CTT	T2A	4
7500	-	-	OPX2A7538-CTT	OPX2A7500-CTT	OPX2A7507-CTT	OPX2A7536-CTT	T2A	4
9500	-	-	OPX2A9538-CTT	OPX2A9500-CTT	OPX2A9507-CTT	OPX2A9536-CTT	T2A	4
Class I, Groups B³, C and D, Divisions 1 and 2								
500	OPX3A0502	OPX3A0508	-	OPX3A0500	-	-	T3A	1 ¹
1400	OPX3A1402	OPX3A1408	-	OPX3A1400	OPX3A1407-CTT	-	T3A	2
2300	OPX3A2302	OPX3A2308	OPX3A2338-CTT	OPX3A2300	OPX3A2307-CTT	OPX3A2336-CTT	T3A	3
3200	-	OPX3A3208	OPX3A3238-CTT	OPX3A3200	OPX3A3207-CTT	OPX3A3236-CTT	T3A	4
5000	-	-	OPX3A5038-CTT	OPX3A5000	OPX3A5007-CTT	OPX3A5036-CTT	T3A	4
Class II, Groups E, F and G, Divisions 1 and 2								
500	OPX3C0502	OPX3C0508	-	OPX3C0500	-	-	T3C	1 ¹
1000	OPX3C1002	OPX3C1008	-	OPX3C1000	OPX3C1007-CTT	-	T3C	2
1700	OPX3C1702	OPX3C1708	-	OPX3C1700	OPX3C1707-CTT	OPX3C1736-CTT	T3C	3
3200	-	OPX3C3208	OPX3C3238-CTT	OPX3C3200	OPX3C3207-CTT	OPX3C3236-CTT	T3C	4

Options

Product # Kit	Product # Factory installed*	Description
-	OPX-C1-1 ⁴	Galvanized steel cabinet wet area approved (Type 3), model 1
-	OPX-C1-2 ⁴	Galvanized steel cabinet wet area approved (Type 3), model 2
-	OPX-C1-3 ⁴	Galvanized steel cabinet wet area approved (Type 3), model 3
-	OPX-C1-4 ⁴	Galvanized steel cabinet wet area approved (Type 3), model 4
-	OPX-C2-1 ⁴	304 stainless steel cabinet corrosion and wet area approved (Type 3), model 1
-	OPX-C2-2 ⁴	304 stainless steel cabinet corrosion and wet area approved (Type 3), model 2
-	OPX-C2-3 ⁴	304 stainless steel cabinet corrosion and wet area approved (Type 3), model 3
-	OPX-C2-4 ⁴	304 stainless steel cabinet corrosion and wet area approved (Type 3), model 4
-	OPX-CTT	24V contactor and control transformer
-	OPX-T	Class I and II, Groups C, D, E, F and G single-pole thermostat
-	OPX-TGRB	Class I and II, Groups B, C, D, E, F and G single-pole thermostat
XB-TM	-	Explosion-proof wall thermostat, range -18 °C to 40 °C (0 °F to 100 °F) : 15A at 600V, 25A at 277V

* For factory installed options, add the option number to the product number.

¹ No factory installed option available for size 1 model.

² Temperature code: T2A = 280 °C (536 °F), T3A = 180 °C (356 °F), T3C = 160 °C (320 °F).

³ For Group B applications, if the convector requires a built-in thermostat, use the OPX-TGRB option.

⁴ See features below.

For any other ratings and risk areas, contact our customer service.

Standard color is beige.

Features of the C1 Option

Galvanized steel cabinet wet area approved with a baked on powder coating.

Elements with a chromate coating.

A gasketed terminal box cover (O-ring).

The option C1 is not available with the T option and the TGRB option. Allow a 4 weeks production lead time.

Features of the C2 Option

304 stainless steel cabinet corrosion and wet area (Type 3) approved with a baked on powder coating.

Elements with a chromate coating.

A gasketed terminal box cover (O-ring).

ONLY the cabinet is upgraded to stainless steel.

The option C2 is not available with the T option and the TGRB option. Allow a 4 weeks production lead time.