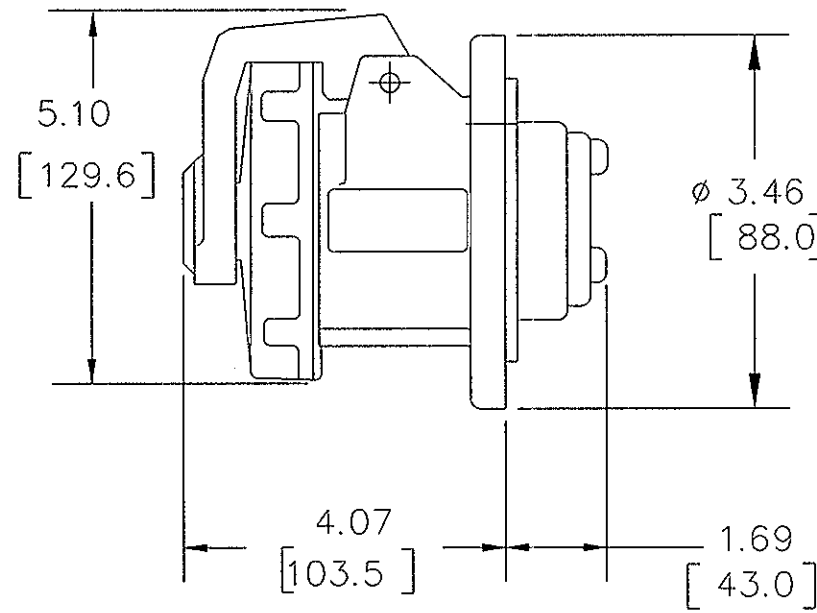
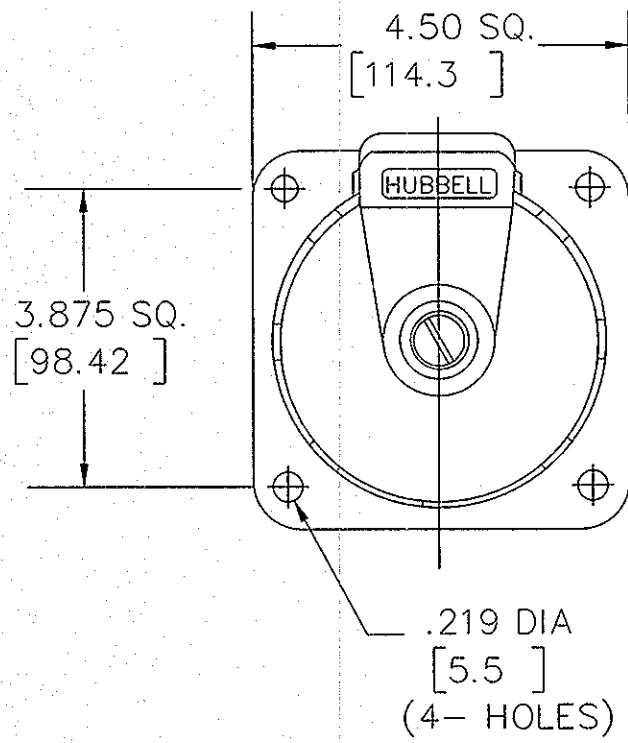


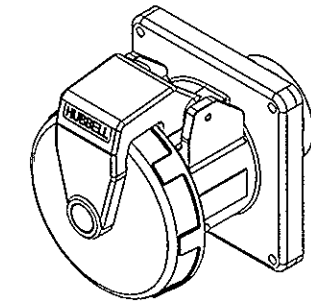
M-6077 7

LIST OF PARTS

| DESCRIPTION    | MATERIAL      | FINISH |
|----------------|---------------|--------|
| HOUSING        | SEE TABLE     |        |
| INTERIOR       | THERMOSET     |        |
| SLEEVES        | BRASS         |        |
| SLEEVE INSERTS | BERR COPPER   | SILVER |
| TERM. SCRS.    | STAIN. STEEL  |        |
| COVER          | POLYESTER     |        |
| COV. SCR.      | BRASS         |        |
| COV. SPR.      | STAIN. STEEL  |        |
| GASKET         | RUBBER        |        |
| DISC           | POLYCARBONATE | NICKEL |
| ARM            | POLYESTER     |        |
| HINGE PIN      | STAIN. STEEL  |        |
| HINGE SPR.     | STAIN. STEEL  |        |
| ASS'Y SCRS     | STAIN. STEEL  |        |



NOTES: INCHES  
[MM]



CATALOG NO. HBL460R9W  
(NOT SHOW TO SCALE)

DIMENSION SHEET FOR CAT. NO.

SEE TABLE

REPAIRABLE

NON-REPAIRABLE

B

M-6077

7

| CAT NO.     | CONFIGURATION | RATING                                    | HOUSING |          | CAT. NO.   | CONFIGURATION | RATING              | HOUSING |          |
|-------------|---------------|-------------------------------------------|---------|----------|------------|---------------|---------------------|---------|----------|
|             |               |                                           | COLOR   | MATERIAL |            |               |                     | COLOR   | MATERIAL |
|             |               |                                           |         |          | HBL460R7W  |               | 60A 3ø<br>480VAC    | RED     | NYLON    |
| HBL460R6V02 |               | 60A<br>380-415 VAC<br>63A<br>380-415 VAC  | RED     | VALOX    | HBL460R9W  |               | 60A 3ø<br>250VAC    | BLUE    | NYLON    |
| HBL460R5WS  |               | 60 3ø<br>600 VAC<br>PILOT CONTACT<br>A600 | BLACK   | NYLON    | HBL460R9VO |               | 60A 3ø<br>250VAC    | BLUE    | VALOX    |
| HBL460R5W   |               | 60A3ø<br>600VAC                           | BLACK   | NYLON    |            |               |                     |         |          |
| HBL463R6W   |               | 63 AMP<br>380V-415VAC                     | RED     | NYLON    | HBL460R12W |               | 60AMP<br>125/250VAC | ORANGE  | NYLON    |

|     |                                                                               |     |                |
|-----|-------------------------------------------------------------------------------|-----|----------------|
| 7   | ADDED ISO VIEW TO INDICATE SOLID MODEL EMBEDDED IN DRAWING. PER DCN 21895 DDL | DJP | 02/22/16       |
| 6   | ADDED CAT. # HBL460R6V02 AND SPECS. TO TABLE. PER DCN 18699 DDL               | CAC | 04/24/12       |
| 5   | ADDED CAT NO. HBL460R5WS PER DCN 11116                                        | RDK | 8-27-03<br>SPN |
| SYM | REVISIONS                                                                     | APP | DATE           |

THE DESIGN AND DIMENSIONS OF THE PRODUCT SHOWN ON THIS DRAWING ARE SUBJECT TO CHANGE WITHOUT NOTICE

TITLE  
60 & 63A 3 POLE 4 WIRE  
PIN & SLEEVE RECEPTACLES

|                                                                                        |        |                                                              |         |
|----------------------------------------------------------------------------------------|--------|--------------------------------------------------------------|---------|
| TOLERANCES UNLESS OTHERWISE SPECIFIED<br>.XX = ± .01<br>.XXX = ± .005<br>ANGLES = ± 2° |        | WIRING DEVICE-KELLEMS<br>HUBBELL INCORPORATED<br>SHELTON, CT |         |
| DR. BY                                                                                 | W.T.C. | APP. BY                                                      |         |
| TR. BY                                                                                 |        | SCALE                                                        | NONE    |
| CHK'D BY                                                                               |        | DATE                                                         | 4-25-80 |