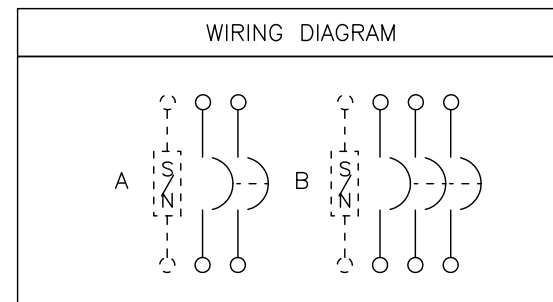


SEISMIC NOTES:
 USE (4) 1/4" DIA GRADE 5 STEEL MOUNTING BOLTS @ HOLES AA
 MAX CONFIGURED WEIGHT 38 LB FOR THE PURPOSE OF DETERMINING
 SEISMIC ANCHORAGE REQUIREMENTS. FOR ALL OTHER APPLICATIONS,
 CONTACT SCHNEIDER ELECTRIC.



▲ H150R
 J250R AND CJ250NR
 NEMA TYPE 3R

| SYMBOL | CONDUIT SIZE | | DIAMETER | |
|--------|--------------|----|----------|----|
| | IN | MM | IN | MM |
| C | 1.00 | 25 | 1.38 | 35 |
| E | 1.50 | 38 | 2.00 | 51 |
| F | 2.00 | 51 | 2.50 | 64 |
| G | 2.50 | 64 | 3.00 | 76 |
| H | 3.00 | 76 | 3.63 | 92 |

| CIRCUIT BREAKER CATALOG NO. PREFIX | AMPERE RATING | CONDUCTORS PER PHASE | WIRE SIZE (AWG/KCMIL) | | TYPE |
|------------------------------------|---------------|----------------------|-----------------------|------|-------|
| | | | MAX | MIN | |
| HD, HG HJ, HL, HR | 15-150 | 1 | #3/0 | #14 | AL/CU |
| JD, JG JJ, JL, JR | 150-175 | 1 | #4/0 | #4 | AL/CU |
| | 200-250 | 1 | 350 | #3/0 | |

| CATALOG NUMBER | MAXIMUM AMPERE RATING | NUMBER OF TERMINALS | CONDUCTORS PER TERMINAL | WIRE SIZE (AWG/KCMIL) | | TYPE |
|----------------|-----------------------|---------------------|-------------------------|-----------------------|-----|----------|
| | | | | MAX | MIN | |
| SN100FA | 100A | 2 | 1 | #1/0 | #14 | CU |
| | | | | #1/0 | #12 | AL |
| SN400LA | 250A | 2 | 1 OR 2 | #600 | #1 | AL OR CU |
| | | 2 | 1 | #250 | #1 | AL OR CU |
| PK0GTJ250 | 250A | 2 | 1 | #300 | #4 | AL OR CU |
| PK0GTH150 | 150A | 2 | 1 | #300 | #6 | AL OR CU |

FOR 200% NEUTRALS USE SN400LA (AMP RANGE 100 TO 250, CU WIRE ONLY).

| CIRCUIT BREAKER CATALOG NO PREFIX | WIRING DIAG | AMPERE RATING | UL LISTED INTERRUPTING RATING RMS SYMMETRICAL AMPERES | | | | | | | |
|-----------------------------------|-------------|---------------|---|----------|-----|----------|------------|-----|-----|-----|
| | | | AC VOLTAGE | | | | DC VOLTAGE | | | |
| | | | 240 | 480Y/277 | 480 | 600Y/347 | 600 | 125 | 250 | 500 |
| ▲ HD JD | A,B | 15-150 | 25K | 18K | 18K | 14K | 14K | 20K | 20K | - |
| | A,B | 150-250 | 25K | 18K | 18K | 14K | 14K | 20K | 20K | - |
| ▲ HG JG | A,B | 15-150 | 65K | 35K | 35K | 18K | 18K | 20K | 20K | - |
| | A,B | 150-250 | 65K | 35K | 35K | 18K | 18K | 20K | 20K | - |
| HJ JJ | A,B | 15-150 | 100K | 65K | 65K | 25K | 25K | 20K | 20K | - |
| | A,B | 150-250 | 100K | 65K | 65K | 25K | 25K | 20K | 20K | - |
| HL JL | A,B | 15-150 | 125K | 65K | 65K | 25K | 25K | 20K | 20K | - |
| | A,B | 150-250 | 125K | 65K | 65K | 25K | 25K | 20K | 20K | - |
| HR JR | A,B | 15-150 | 125K | 65K | 65K | 25K | 25K | 20K | 20K | - |
| | A,B | 150-250 | 125K | 65K | 65K | 25K | 25K | 20K | 20K | - |

NOTES:
 FINISH - NEMA/EEMAC TYPE 3R GRAY BAKED ENAMEL ELECTRODEPOSITED OVER CLEANED PHOSPHATIZED STEEL.
 cULus LISTED - FILE E-136861
 SUITABLE FOR USE AS SERVICE EQUIPMENT WHEN NEUTRAL ASSEMBLY IS INSTALLED. (CJ250NR IN CANADA).
 NEUTRAL - INSULATED GROUNDABLE.
 CJ250NR CONTAINS FACTORY INSTALLED AND BONDED SN400LA NEUTRAL AND IS SUITABLE FOR USE AS SERVICE EQUIPMENT IN CANADA.
 ▲ H150R SUITABLE ONLY FOR 2 POLE HD OR HG BREAKERS.
 ENCLOSURES ACCEPT STANDARD 80% RATED OR 100% RATED CIRCUIT BREAKERS. WHEN USING 100% RATED CIRCUIT BREAKERS USE ONLY WITH 90°C (MIN) RATED WIRE SIZED PER AMPACITY OF 75°C RATED CONDUCTOR.

DUAL DIMENSIONS: INCHES
 MILLIMETERS

CIRCUIT BREAKER ENCLOSURES
 15-250 AMPERE
 NEMA/EEMAC TYPE 3R RAINPROOF ENCLOSURE



DWG# 3364S
 NO.