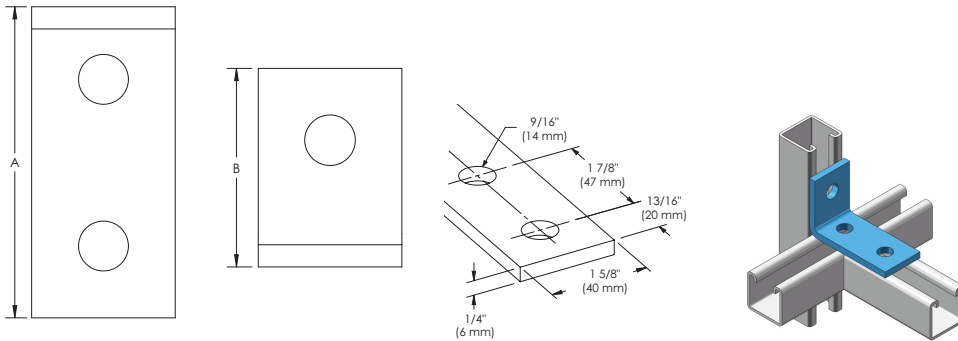


1-2 Hole Corner Angle Bracket – L180000EG



- Used to create metal frames with nVent CADDY Eristrut channels



Part Number	L180000EG
Material	Steel
Finish	Electrogalvanized
A	3 1/2"
B	2 1/2"
Standard Packaging Quantity	25 pc
UPC	78285634536

WARNING

nVent products shall be installed and used only as indicated in nVent’s product instruction sheets and training materials. Instruction sheets are available at www.erico.com and from your nVent customer service representative. Improper installation, misuse, misapplication or other failure to completely follow nVent’s instructions and warnings may cause product malfunction, property damage, serious bodily injury and death and/or void your warranty.

© 2021 nVent All rights reserved

nVent, nVent CADDY, nVent ERICO, nVent ERIFLEX and nVent LENTON are owned by nVent or its global affiliates.

All other trademarks are the property of their respective owners. nVent reserves the right to change specifications without prior notice.

