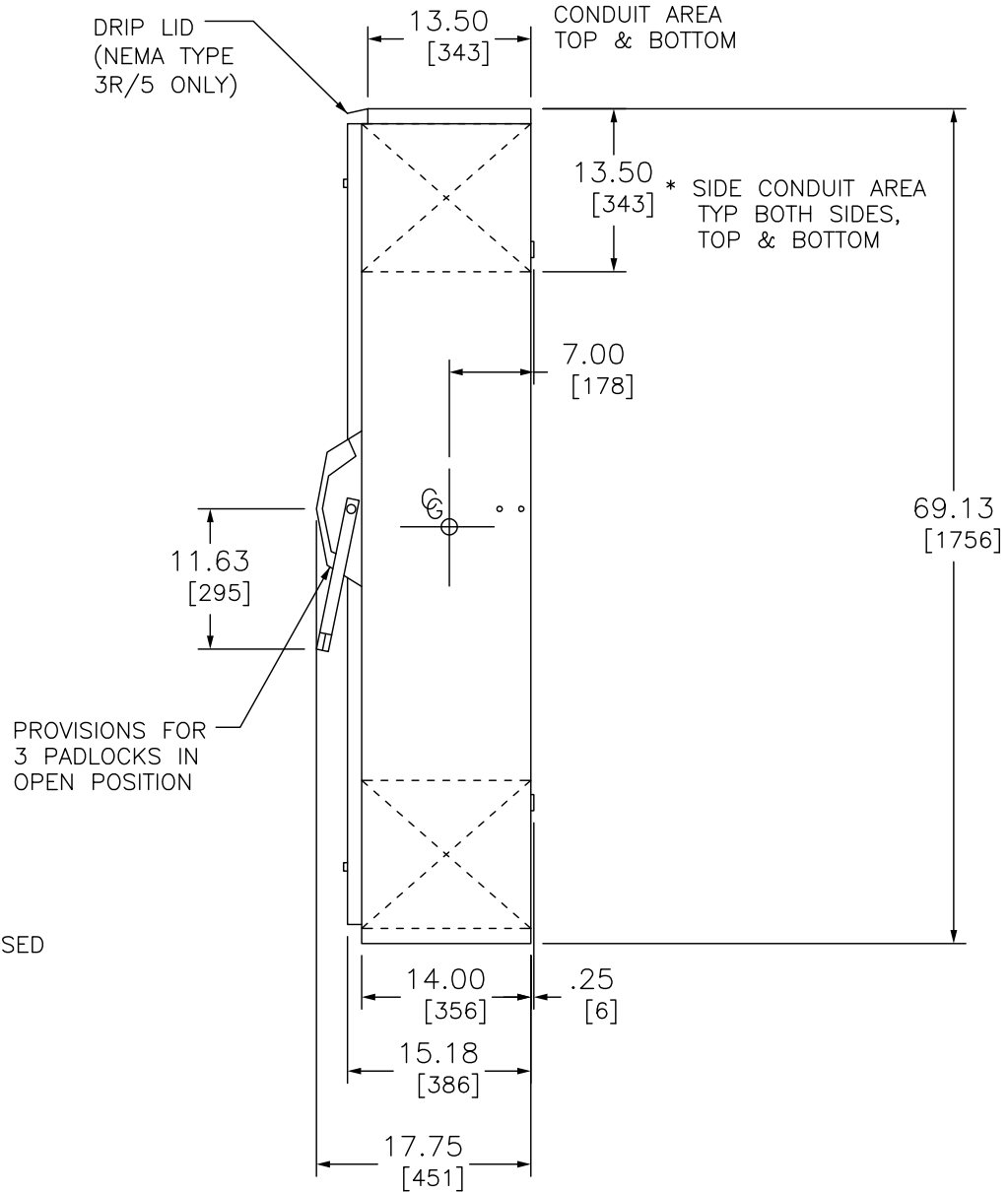
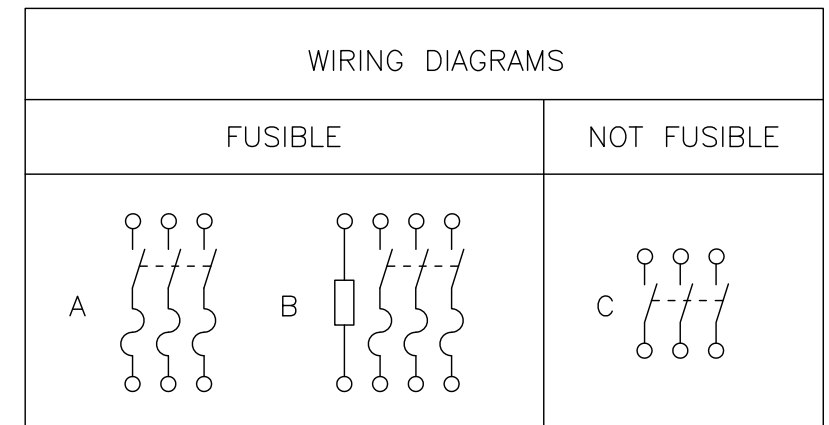


(INCLUDING SCREWS)



RIGHT SIDE VIEW  
NEMA TYPE 1 & 3R/5



TERMINAL LUGS			
AMPERES	MAX WIRE	MIN WIRE	TYPE
800	(3) 750 KCMIL	(3) #3/0 AWG	75°C AL OR CU

FUSE PROVISIONS	
AMPERES	TYPE
800	CLASS "L"

\* SIDE ENTRY/EXIT MUST MEET ALL APPLICABLE STANDARDS & CODES

DUAL DIMENSIONS: INCHES  
MILLIMETERS

NOTES:  
FINISH - GRAY BAKED ENAMEL-ANSI #49  
UL LISTED - FILE E-154828  
CSA CERTIFIED - FILE LL-97406-3  
ALL NEUTRALS - INSULATED GROUNDABLE (SHIPPED LOOSE)  
SUITABLE FOR USE AS SERVICE EQUIPMENT  
SHORT CIRCUIT RATING:  
200,000 AMPERES WHEN USED WITH OR PROTECTED BY CLASS L FUSES.  
75 LBS. MAX. FORCE REQUIRED TO OPERATE HANDLE.  
FOR NEMA TYPE 3R APPLICATIONS 1/4-20 DRAIN SCREW MUST BE REMOVED.

SEISMIC NOTES:  
USE (4) 7/16" DIA GRADE 5 STEEL MOUNTING BOLTS @ HOLES AA  
MAX CONFIGURED WEIGHT 370 LB FOR THE PURPOSE OF DETERMINING  
SEISMIC ANCHORAGE REQUIREMENTS. FOR ALL OTHER APPLICATIONS,  
CONTACT SQUARE D COMPANY.

CATALOG NUMBER	VOLTAGE RATINGS	WIRING DIAG.	3 PHASE HORSEPOWER RATINGS						DC HORSEPOWER RATINGS			
			240VAC		480VAC		600VAC		250VDC		600VDC	
			STD	MAX	STD	MAX	STD	MAX	STD	MAX	STD	MAX
H327	240VAC;250VDC	A	100	250	-	-	-	-	50	50	-	-
H327R	240VAC;250VDC	A	100	250	-	-	-	-	50	50	-	-
H327N	240VAC;250VDC	B	100	250	-	-	-	-	50	50	-	-
H327NR	240VAC;250VDC	B	100	250	-	-	-	-	50	50	-	-
H367	600VAC;600VDC	A	100	250	200	500	250	500	-	-	50	50
H367R	600VAC;600VDC	A	100	250	200	500	250	500	-	-	50	50
H367N	600VAC;600VDC	B	100	250	200	500	250	500	-	-	50	50
H367NR	600VAC;600VDC	B	100	250	200	500	250	500	-	-	50	50
HU367	600VAC;600VDC	C	100	100	-	500	-	500	-	-	50	50
HU367R	600VAC;600VDC	C	100	100	-	500	-	500	-	-	50	50

HEAVY DUTY SAFETY SWITCHES  
VISIBLE BLADE TYPE  
800 AMPERE / ENCLOSURE-NEMA TYPE 1 GENERAL PURPOSE  
NEMA TYPE 3R RAINPROOF  
NEMA TYPE 5 DUST TIGHT (INDOOR)



DWG# 1938S  
NO.