

## New Construction

# CBX

Commercial Compact  
Fluorescent Downlight  
Non-IC Rated  
120V or 277V

### APPLICATIONS:

Suitable for new construction where insulation, if present, is not installed above or within 3" of the fixture. The CBX utilizes a 13W quad tube compact fluorescent lamp, which provides good CRI and a 10,000 hour lamp life. The CBX is ideal for budget oriented installations of non-critical areas in commercial, retail, and hospitality spaces.

### OPTICS/REFLECTOR:

Trims use single spring retention system to fit snug to the ceiling plane, eliminating unwanted light leaks and sagging overtime. Most trims are made of diecast aluminum and reflectors are Alzak processed, eliminating the risk of yellowing, cracking or warping.

### LAMP/SOCKET:

Use one (1) 13W (GX23-2 base) 2-pin quad tube compact fluorescent lamp. One (1) injection molded socket suitable for 13W quad tube lamps. Socket snaps into trim carrier to place lamp in proper position ensuring consistent appearance and performance. Lamps furnished by others.

### BALLAST:

One (1) 13W fluorescent encased and potted ballast. Ballast is mounted on J-box cover and is accessible from below ceiling. Specify 120V or 277V, HPF. Power factor for HPF ballast is greater than .90. The ballast's thermal protection prevents fixture from over-heating when improperly installed or over-lamped. See reverse side for additional ballast information.

### INSTALLATION:

Self-aligning bar hangers with integral-forked nailing prongs allow for nail-less installation. Locking T-bar notch accommodates T-bar ceiling and expands to 27" for 24" joist spacing.

### HOUSING:

Unique square shape allows for greater-lamp adjustability and the ability to accommodate a variety of trim types and lamp sources. 22 ga. C.R.S. housing. Two (2) 22 ga. snap-on covers provide easy access to splices.

### LABELS:

UL listed or UL/CSA listed with CDN option for all ceiling types.

Insulation, if present, must not be on top of housing and be spaced 3" away from housing sides. U.L. listed for damp locations and through wiring. U.L. listed for wet locations when used with lensed (TL) trims. N.Y. City approved.

### J-BOX:

Prewired 18 ga. galvanized steel junctionbox with preinstalled ground wire and integral Romex connector. J-box is accessible from below ceiling through removable housing end.

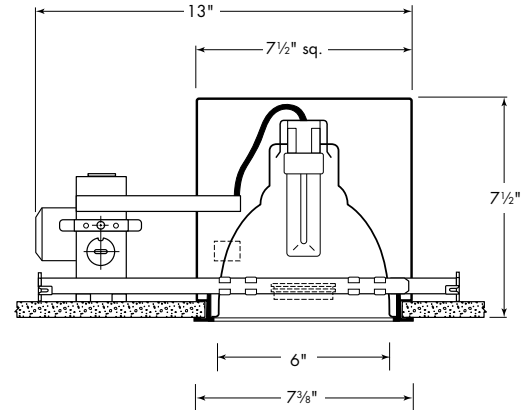
DATE: \_\_\_\_\_ TYPE: \_\_\_\_\_

FIRM NAME: \_\_\_\_\_

PROJECT: \_\_\_\_\_



Aperture: Nominal 6"  
Ceiling Cutout: 6 3/4"  
Maximum Ceiling Thickness: 1 1/2"  
Width: 7 1/2"  
For conversion to millimeters,  
multiply inches by 25.4  
Not to Scale



CATALOG NUMBER:

EXAMPLE: CBX-TB16-SCA7

HOUSINGS	TRIMS	TRIMS	TRIMS	ACCESSORIES	ACCESSORIES	ACCESSORIES
<input type="checkbox"/> <b>CBX</b> 120V HPF <input type="checkbox"/> <b>CBX</b> 277V HPF	<i>BAFFLE</i> <input type="checkbox"/> <b>TB16</b>	<i>LENSED</i> <input type="checkbox"/> <b>TL30</b> <input type="checkbox"/> <b>TL31</b> <input type="checkbox"/> <b>TL32</b> <input type="checkbox"/> <b>TL34P</b> <input type="checkbox"/> <b>TL41</b> <input type="checkbox"/> <b>TL42</b> <input type="checkbox"/> <b>TL43</b> <input type="checkbox"/> <b>TL88</b> <input type="checkbox"/> <b>TL89</b> <input type="checkbox"/> <b>TL90</b>	<i>OPEN</i> <input type="checkbox"/> <b>TO8</b> <input type="checkbox"/> <b>TO70G</b> <input type="checkbox"/> <b>TO70S</b> <input type="checkbox"/> <b>TO72S</b> <input type="checkbox"/> <b>TO76G</b> <input type="checkbox"/> <b>TO76S</b>  <i>WALL WASH</i> <input type="checkbox"/> <b>TW44S</b>	<input type="checkbox"/> <b>MGR</b> Metal "goof" rings. White metal trim ring covers oversized ceiling cutout. Specify outside dimension and trim catalog number.  <input type="checkbox"/> <b>PKT301</b> T-bar clips.	<input type="checkbox"/> <b>SCA7</b> Sloped ceiling adaptor for LiteBox trims. Specify degree of slope and ceiling type. Not recommended for wall wash (TW) trims. Sloped ceiling adaptor and housing must be installed at the same time.	<input type="checkbox"/> <b>TCA1</b> Thick ceiling adaptor allows for use of LiteBox trims in ceilings 1 1/2" to 2 1/2" thick. Install prior to housing installation.  <input type="checkbox"/> <b>ICBOX</b> Recessed enclosure for IC applications. Refer to specification sheet FT-INC-005

### HOUSING OPTIONS

#### CDN

Canadian electrical code compliant ballast disconnect

#### CDN 347V

Canadian electrical code compliant ballast disconnect



A Division of Hubbell Lighting, Inc.

In a continuing effort to offer the best product possible we reserve the right to change, without notice, specifications or materials that in our opinion will not alter the function of the product.  
Web: [www.prescolite.com](http://www.prescolite.com) • Tech Support: (888) 777-4832

LB-CFL-006

# TRIMS & FINISHES

## LiteBox® – CBX Compact Fluorescent

### BALLAST DATA

Trim Catalog Number	Ballast Factor	Amps	Watts
CBX 120V HPF	.95	.14	17
CBX 277V HPF	1.0	.09	20

### Baffle



**TB16**  
Black baffle with upper clear Alzak reflector.  
Max. (1) 13W quad tube C.F.L.

### Lensed

Wet Location Approved



**TL30**  
Shower trim with drop opal Lexan® lens and clear Alzak upper reflector.  
Max. (1) 13W quad tube C.F.L.

### Lensed (cont.)

Wet Location Approved



**TL43**  
Shower trim with flat opal glass diffuser and upper clear Alzak reflector.  
Max. (1) 13W quad tube C.F.L.

### Open



**TO8**  
White reflector trim.  
Max. (1) 13W quad tube C.F.L.



**TL31**  
Shower trim with flat opal Lexan® lens and clear Alzak upper reflector.  
Max. (1) 13W quad tube C.F.L.



**TL88**  
White cone with fresnel glass lens and upper clear Alzak reflector.  
Max. (1) 13W quad tube C.F.L.



**TO70 (S) (G)**  
Reflector trim. Clear (S) or gold (G) Alzak.  
Max. (1) 13W quad tube C.F.L.



**TL32**  
Shower trim with flat clear prismatic Lexan® lens and clear Alzak upper reflector.  
Max. (1) 13W quad tube C.F.L.



**TL89**  
White cone with drop opal glass diffuser and upper clear Alzak reflector.  
Max. (1) 13W quad tube C.F.L.



**TO72 (S)**  
Clear (S) Alzak reflector trim.  
Max. (1) 13W quad tube C.F.L.



**TL34P**  
Plastic drop opal shower/spa trim with upper reflector. Non-metallic trim.  
Max. (1) 13W quad tube C.F.L.



**TL90**  
White cone with textured opal glass lens and upper clear Alzak reflector.  
Max. (1) 13W quad tube C.F.L.



**TO76 (S) (G)**  
Specular reflector, Clear (S) or gold (G) Alzak, with lower black baffle.  
Max. (1) 13W quad tube C.F.L.



**TL41**  
Shower trim with drop opal glass diffuser and upper clear Alzak reflector.  
Max. (1) 13W quad tube C.F.L.



**TL42**  
Shower trim with fresnel glass lens and upper clear Alzak reflector.  
Max. (1) 13W quad tube C.F.L.

### Wall Wash



**TW44S**  
Wall wash reflector downlight, rotatable. Specular inner reflector, diffused wall wash outer reflector.  
Clear Alzak (S).  
Max. (1) 13W quad tube C.F.L.