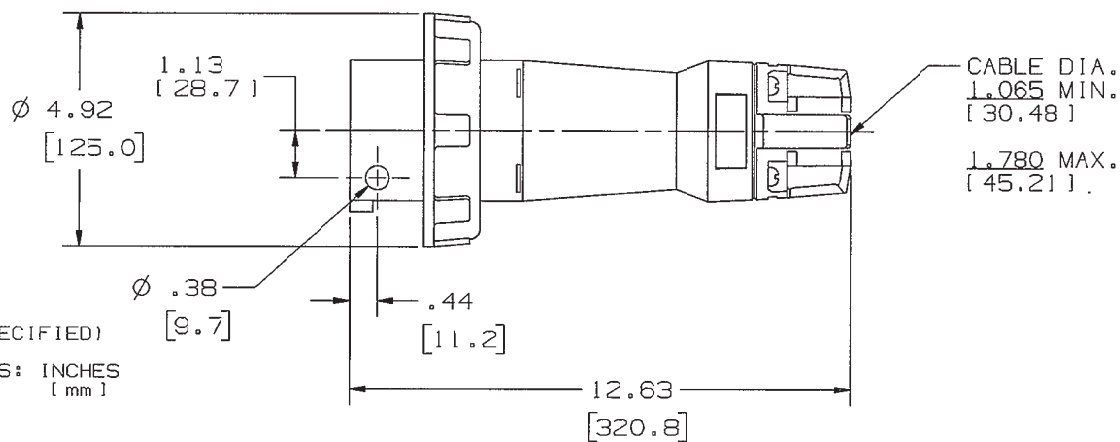
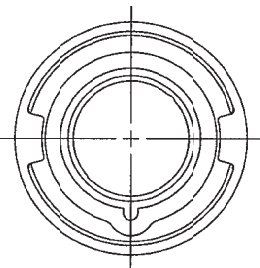


**M-6079** 9



NOTES: (UNLESS OTHERWISE SPECIFIED)  
 1) DIMENSION FORMAT IS: INCHES [mm]

CABLE DIA.  
 1.065 MIN.  
 [ 30.48 ]  
 1.780 MAX.  
 [ 45.21 ]

LIST OF PARTS

DESCRIPTION	MATERIAL	FINISH
HOUSING	SEE TABLE	
GASKET	RUBBER	
LOCK RINGS	POLYESTER	
INTERIOR	THERMOSET	
PINS	BRASS	
TERM. SCREWS	STAIN. STEEL	
GLAND CAP	POLYESTER	
GLANDS	RUBBER	
CLAMPS	POLYESTER	
CLAMP NUTS	BRASS	NICKEL
ASS'Y SCRS.	STAIN. STEEL	

CAT. NO.	CONFIGURATION	RATING	HOUSING		CAT. NO.	RATING	HOUSING	
			COLOR	MATERIAL			COLOR	MATERIAL
					HBL4100P7V05	100A 3Ø 480VAC	RED	POLYBUTYLENE TEREPHTHALATE (PBT)
					HBL4100P7WR HBL4100P7W		RED	NYLON
					HBL4100P9WR HBL4100P9W	100A 3Ø 250VAC	BLUE	NYLON
					4100P9V01 HBL4100P9V01		BLUE	POLYBUTYLENE TEREPHTHALATE (PBT)
HBL4100P5WS		100A3 Ø 600VAC PILOT CONTACT A600	BLACK	NYLON				
HBL4100P5WR HBL4100P5W		100A3 Ø 600VAC	BLACK	NYLON				
HBL4125P6W		125AMP 380-415VAC	RED	NYLON	HBL4100P12WR HBL4100P12W	100AMP 125/250VAC	ORANGE	NYLON

REV.	DESCRIPTION	APP.	DATE
9	3/8/12 ADDED HBL4100P9V01 PER DCN 18679 SPN	DJP	3/8/12
8	CHANGED MATERIAL FOR HBL4100P7V05 FROM POLYESTER TO POLYBUTYLENE TERE. (PBT) ADDED CAT. 4100P9V01 WITH COLOR AND MATERIAL. PER DCN 17546 SPN	PJB	3/16/11
7	ADDED HBL4100P705 AND SPECS TO TABLE PER DCN # 17473.	DJP	2/25/11

THE DESIGN AND DIMENSIONS OF THE PRODUCT SHOWN ON THIS DRAWING ARE SUBJECT TO CHANGE WITHOUT NOTICE

TITLE 100A & 125A 3 POLE 4 WIRE PIN & SLEEVE PLUGS

TOLERANCES UNLESS OTHERWISE SPECIFIED	WIRING DEVICE-KELLEMS HUBBELL INCORPORATED SHELTON, CT	
.XX ± .01	DR. BY MJK	APP. BY WES
.XXX ± .005	TR. BY CAC	SCALE NONE
ANGLES ± 2°	CHK. BY	DATE 5/13/80
DECIMALS ± .03		

CODE 74545

DIMENSION SHEET FOR CAT. NO. SEE TABLE  
 REPAIRABLE  NON-REPAIRABLE   
**B**  
**M-6079**  
**9**