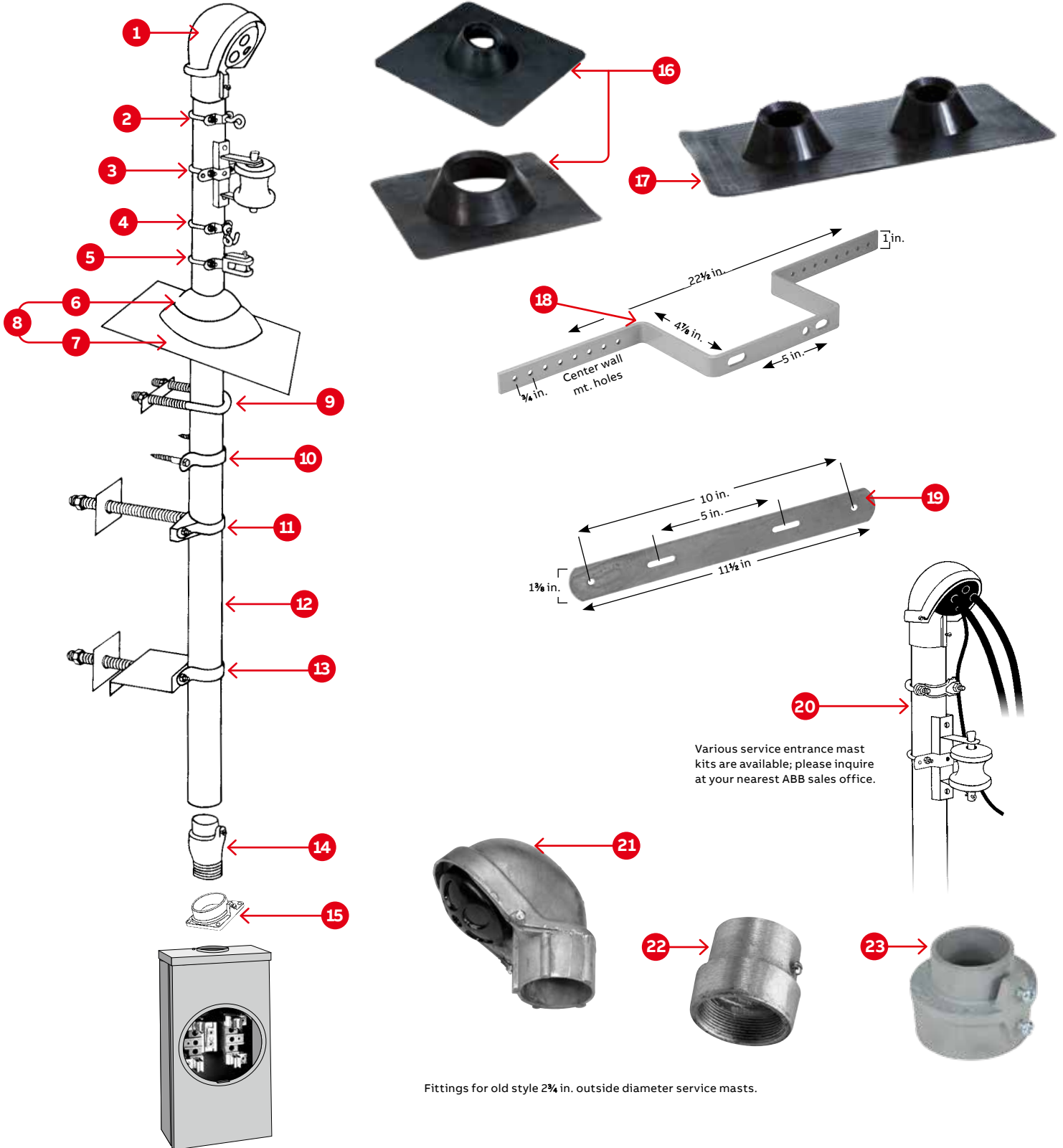


## Service masts

Service entrance masts and accessories



## Service masts

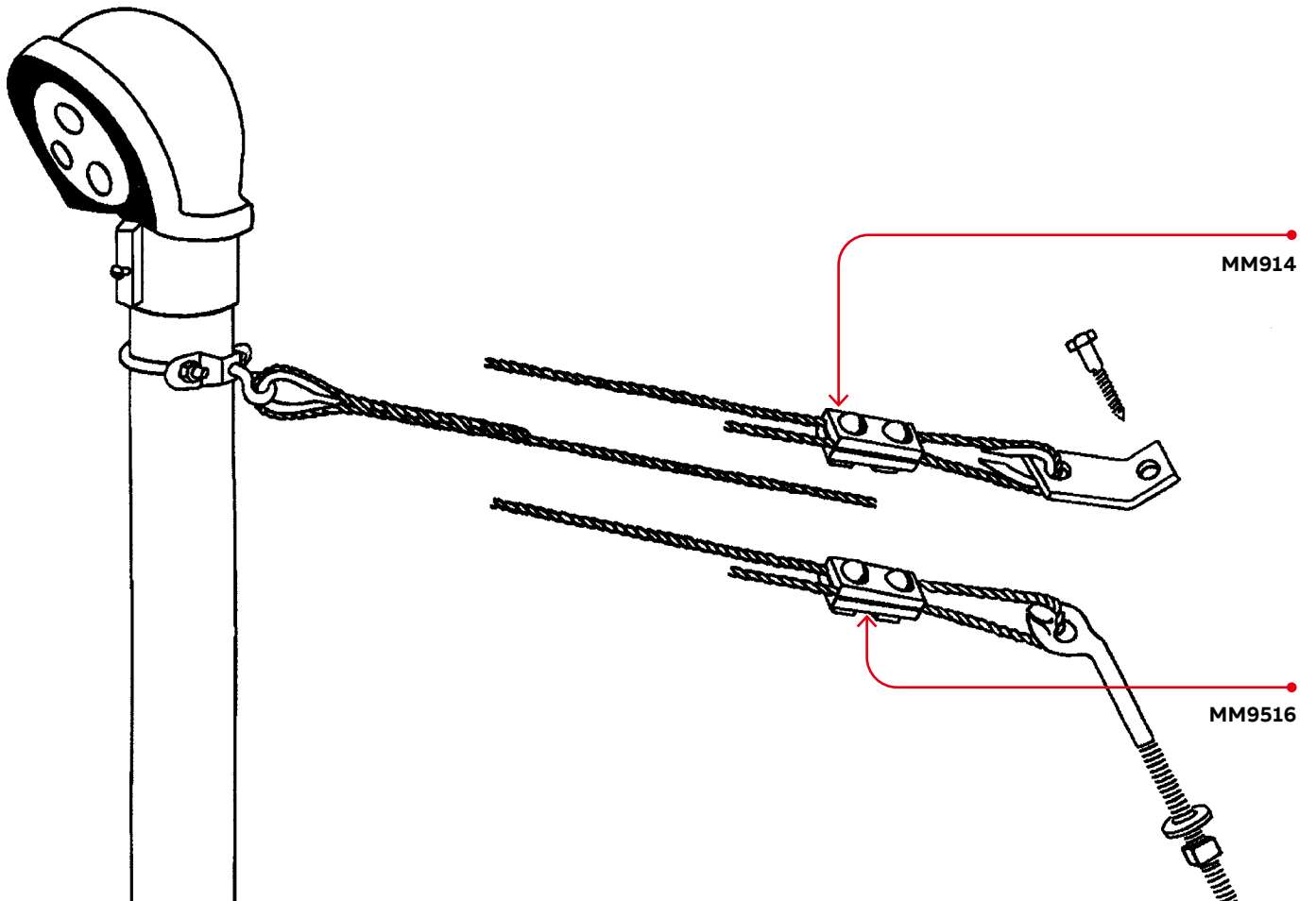
### Service entrance masts and accessories

Reference no.	Cat. no.	lb/kg 100 pcs	Std. pkg.	Description
1	MM104	105/47.1	20	1¼ in. Entrance cap 100 A
	MM105	130/59	10	1½ in. Entrance cap 150–200 A
	MM202	200/90	10	2 in. Entrance cap 200 A
2	MM380	50/22.7	50	Guy attachment comes with oval eye
	MM380A	50/22.7	50	Guy attachment without oval eye, complete with bracket
3	MM101	125/56	20	Light-duty spool rack 100 A
	MM5101	164/74	20	Light-duty spool rack (Alberta only) 100 A
	MM201	300/136	10	Heavy-duty spool rack 200 A
	MM801	360/163	10	Heavy-duty spool rack 400 A, fits 4 in. rigid conduit
4	MM390	50/22.7	50	Drop wire hook bracket
5	MM300	100/45.4	20	Service mast wire holder
6	MM500	14/6.3	50	Neoprene collar only
	MM501	36/16.3	20	Steel collar only
7	MM502	150/68	10	Roof base flange only
8	MM503	180/81	10	Roof flange, comes with steel collar
	MM505N	140/63	10	Roof flange, comes with neoprene collar
	MM5505N	140/63	10	Roof flange, comes with neoprene collar 1¼ in.
9	MM250	125/56	20	½ in. dia. "U" bolt mast clamp
10	MM251	40/18.1	50	Pipe strap, comes with two ¾ in. x 4 in. lag screws
	MM255	40/18.1	50	Pipe strap, comes with two ¾ in. x 5 in. lag screws
	MM252	30/13.6	50	Pipe strap only, no lag screws
11	MM400	225/102	20	Support clamp, comes with ¾ in. x 10 in. fully threaded bolt and 4 in. x 4 in. square washer
	MM401	110/50	20	Clamp only, no bolt and washer
	MM445	215/97	20	Support clamp, comes with ¾ in. x 4½ in. fully threaded bolt and 4 in. x 4 in. square washer
	MM5400	215/97	20	Support clamp, comes with ½ in. x 10 in. bolt
12	MM8	2,800/1272	50	8 ft. x 2½ in. outside diameter mast
	MM9CM	3,300/1500	50	9 ft. x 2½ in. outside diameter mast
	MM10	3,500/1590	50	10 ft. x 2½ in. outside diameter mast
	MM12	4,200/1909	50	12 ft. x 2½ in. outside diameter mast
13	MM600	235/106	20	Meter spacer, complete with pipe strap; ¾ in. x 4½ in. carriage bolt and 4 in. x 4 in. square washer
	MM601	190/86	20	Same as above except no pipe strap
	MM602	150/68	20	Spacer only (less strap, bolt and washer) (suggested for brick applications with MM201 less pipe strap)
	MM602LD	119/54	20	Light-duty spacer only (less strap, bolt and washer)
	MM603	200/90	20	Spacer with pipe strap (less bolt and washer)
14	MM100	36/16.3	25	1 in. Female reducer
	MM140	44/20	25	1¼ in. Female reducer
	MM140M	44/20	25	1¼ in. Male reducer
	MM150	44/20	25	1½ in. Female reducer
	MM150M	44/20	25	1½ in. Male reducer
	MM200	44/20	25	2 in. Female reducer
	MM200M	44/20	25	2 in. Male reducer
15	MH200	40/18	1	2 in. Mast adaptor
	MH40	103/46.82	10	4 in. Mast coupler
16	MM506N	52/23.6	10	Simple all-neoprene roof flange, 200 A, for 2½ in. masts
	MM806N	100/45	10	Simple all-neoprene roof flange, 400 A, for 4 in. masts
17	MM507DN	93/42.3	10	Double all-neoprene roof flange; for 2½ in. masts
18	MM604	150/68	10	Meter socket bracket (Dimensions see page D66)
19	MM605	50/22.7	25	Meter socket mounting bracket (Dimensions see page D66)
20	MM700	85/38.6	50	Service mast ground clamp, wire range: 8–1/0 AWG
21	MM202P	200/90	10	2 in. Entrance cap for old style 2¾ in. service masts
	CIEFA-4	590/268	1	4 in. entrance head
22	MM200P	44/20	20	2 in. Female reducer for old style 2¾ in. service masts
23	MC250	45/21	30	2½ in. one-piece coupler (check the installation standards in your region before using the product)

## Service Masts

Guy kits for 2½ in. masts

Cat. no.	Qty.	Consists of	Description
<b>¼ in. Guy kit</b>			
MM914	1	MM380	Mast guy attachment
	2	GT516	Guy thimbles
	1	GE14	Guy end
	1	GW14110	20 ft. of ¼ in. guy wire
	1	GC902	Guy clamp
	1	RB404	Roof bracket
	1	T404-CM	Lag screw
<b>⅝ in. Guy kit</b>			
MM9516	1	MM380	Mast guy attachment
	1	GT516	Guy thimble
	1	GE516	Guy end
	1	GW516110	20 ft. of ⅝ in. guy wire
	1	GC902	Guy clamp
	1	BTE512	⅝ in. x 12 in. Bent thimble eye bolt
	1	RA725	Round washer



## Service masts

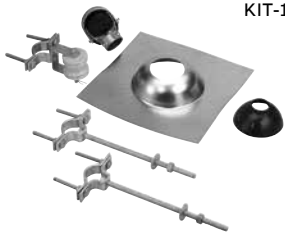
Mast kits suitable for British Columbia

Cat. No.	Qty.	Consists of	Description
KIT-100BCMH	1	MM104	Entrance cap
	1	MM101	Light-duty rack
	1	MM505N	Flange comes with neoprene collar
	3	MM250	"U" bolt clamp
	1	MH200	Mast coupler
KIT-100BCMN	1	MM104	Entrance cap
	1	MM101	Light-duty rack
	1	MM505N	Flange comes with neoprene collar
	3	MM250	"U" bolt clamp
MMK1-NMH	1	MM104	Entrance cap
	1	MM101	Light-duty rack
	1	MM505N	Flange comes with neoprene collar
	3	MM400	Support clamp
KIT-200BCMH	1	MM202	Entrance cap
	1	MM201	Heavy-duty rack
	1	MM505N	Flange comes with neoprene collar
	3	MM250	"U" bolt clamp
	1	MH200	Mast coupler
MMK2-NMH	1	MM202	Entrance cap
	1	MM201	Heavy-duty rack
	1	MM505N	Flange comes with neoprene collar
	3	MM400	Support clamp
	1	MH200	Mast coupler


## Service masts

Mast kits suitable for Alberta


### KIT-1 1/4 – 100 A

Cat. no.	Qty.	Consists of	Description
<b>This mast kit is used in conjunction with 1 1/4 in. rigid conduit</b>			
	1	MM5104A	1 1/4 in. Throat entrance cap
	1	MM5101	Light-duty spool rack
	1	MM5505N	Roof flange complete with neoprene collar
	1	MM5400	Support clamp complete with 1/2 in. x 10 in. bolt


### KIT2-CM – 100 A

Cat. no.	Qty.	Consists of	Description
<b>This mast kit is used in conjunction with 2 in. rigid conduit</b>			
	1	MM5104B	2 in. Throat entrance cap
	1	MM5101	Light-duty spool rack
	1	MM505N	Roof flange complete with neoprene collar
	2	MM5400	Support clamp complete with 1/2 in. x 10 in. bolt
	1	MM5140	1 1/4 in. Bottom female reducer

### KIT-2-AL – 200 A

Cat. no.	Qty.	Consists of	Description
	1	MM202	Entrance cap
	1	MM5101	Light-duty spool rack
	1	MM505N	Roof flange complete with neoprene collar
	2	MM5400	Support clamp complete with 1/2 in. x 10 in. bolt
	1	MM200M	2 in. Reducer

### MB-110 – 100 A

Cat. no.	Qty.	Consists of	Description
	1	MM104	1 1/4 in. Entrance cap
	1	MM201	Heavy-duty spool rack
	1	MM505N	Roof flange complete with neoprene collar
	3	MM400	Support clamp complete with 3/4 in. x 10 in. fully threaded bolt and 4 x 4 washer
	1	MM140	1 1/4 in. Female reducer

## Service masts

Mast kits suitable for Manitoba and Saskatchewan

Cat. no.	Qty.	Consists of	Description
KIT-100MJ	1	MM104	Entrance cap
	1	MM140M	1½ in. Reducer
	1	MM101	Light-duty rack
	1	MM505N	Flange complete with neoprene collar
	2	MM251	Strap complete with ¾ in. x 4 in. Lag bolt
	1	MM400	Support clamp
KIT-100MN	1	MM104	Entrance cap
	1	MM140M	1½ in. Reducer
	1	MM101	Light-duty rack
	1	MM505N	Flange complete with neoprene collar
	3	MM255	Strap complete with ¾ in. x 5 in. lag bolt
KIT-100MH	1	MM104	Entrance cap
	1	MM101	Light-duty rack
	1	MM505N	Flange complete with neoprene collar
	3	MM251	Strap complete with ¾ in. x 4 in. lag bolt
	1	MH200	Mast coupler
KIT-200AM	1	MM202	Entrance cap
	1	MM201	Heavy-duty rack
	1	MM200M	2 in. Male reducer
	1	MM505N	Flange complete with neoprene collar
	3	MM255	Strap complete with ¾ in. x 5 in. lag bolt
KIT-200MH	1	MM202	Entrance cap
	1	MM201	Heavy-duty rack
	1	MM505N	Flange complete with neoprene collar
	3	MM255	Strap complete with ¾ in. x 5 in. lag bolt
	1	MH200	Mast coupler
KIT-200MJ	1	MM202	Entrance cap
	1	MM200M	2 in. Male reducer
	1	MM201	Heavy-duty rack
	1	MM505N	Flange complete with neoprene collar
	1	MM251	Strap complete with ¾ in. x 4 in. lag bolt
	1	MM400	Support clamp
MMK2-NMH	1	MM202	Entrance cap
	1	MM201	Heavy-duty rack
	1	MM505N	Flange complete with neoprene collar
	3	MM400	Support clamp
	1	MH200	Mast coupler

## Service masts

Mast kits suitable for Ontario

Cat. no.	Qty.	Consists of	Description
KIT-100HDM	1	MM104	Entrance cap
	1	MM140M	1½ in. Male reducer
	1	MM201	Heavy-duty rack
	1	MM503	Flange complete with steel collar
	3	MM255	Strap complete with ¾ in. x 5 in. lag bolts
KIT-100MH	1	MM104	Entrance cap
	1	MM101	Light-duty rack
	1	MM505N	Flange complete with neoprene collar
	3	MM251	Strap complete with ¾ in. x 4 in. lag bolt
	1	MM200	Female reducer
KIT-100MN	1	MM104	Entrance cap
	1	MM140M	1½ in. Male reducer
	1	MM101	Light-duty rack
	1	MM505N	Flange complete with neoprene collar
	3	MM255	Strap complete with ¾ in. x 5 in. lag bolt
KIT-100NMH	1	MM104	Entrance cap
	1	MM101	Light-duty rack
	1	MM505N	Flange complete with neoprene collar
	1	MM400	Support clamp
	1	MM200	Female reducer
MMK1	1	MM104	Entrance cap
	1	MM101	Light-duty rack
	1	MM140M	1½ in. Male reducer
	1	MM503	Flange complete with steel collar
	3	MM400	Support clamp
MMK-1N	1	MM104	Entrance cap
	1	MM101	Light-duty rack
	1	MM505N	Flange complete with neoprene collar
	3	MM400	Support clamp
	1	MM140M	1½ in. Male reducer
MMK1-NMH	1	MM104	Entrance cap
	1	MM101	Light-duty rack
	1	MM505N	Flange complete with neoprene collar
	3	MM400	Support clamp
	1	MH200	Mast coupler
KIT-200MH	1	MM202	Entrance cap
	1	MM201	Heavy-duty rack
	1	MM200M	2 in. Male reducer
	1	MM505N	Flange complete with neoprene collar
	3	MM255	Strap complete with ¾ in. x 5 in. lag bolt

Cat. no.	Qty.	Consists of	Description
KIT-200AM	1	MM202	Entrance cap
	1	MM201	Heavy-duty rack
	1	MM505N	Flange complete with neoprene collar
	3	MM255	Strap complete with ¾ in. x 5 in. lag bolt
	1	MH200	Mast coupler
KIT-200NMH	1	MM202	Entrance cap
	1	MM201	Heavy-duty rack
	1	MM505N	Flange complete with neoprene collar
	3	MM400	Support clamp
	1	MM200	Female reducer
MMK2	1	MM202	Entrance cap
	1	MM201	Heavy-duty rack
	1	MM200M	2 in. Male reducer
	1	MM503	Flange complete with steel collar
	3	MM400	Support clamp
MMK-2N	1	MM202	Entrance cap
	1	MM201	Heavy-duty rack
	1	MM505N	Flange complete with neoprene collar
	3	MM400	Support clamp
	1	MM200M	2 in. Male reducer
MMK2-NMH	1	MM202	Entrance cap
	1	MM201	Heavy-duty rack
	1	MM505N	Flange complete with neoprene collar
	3	MM400	Support clamp
	1	MH200	Mast coupler

## Service masts

Mast kits suitable for Quebec

Cat. no.	Qty.	Consists of	Description
KIT-100MN	1	MM104	Entrance cap
	1	MM140M	1¼ in. Male reducer
	1	MM101	Light-duty rack
	1	MM505N	Flange complete with neoprene collar
	3	MM255	Strap complete with ¾ in. x 5 in. lag bolts
KIT-100MH	1	MM104	Entrance cap
	1	MM101	Light-duty rack
	1	MM505N	Flange complete with neoprene collar
	3	MM251	Strap complete with ¾ in. x 4 in. lag bolts
	1	MH200	Mast coupler
KIT-100MNF	1	MM104	Entrance cap
	1	MM140M	1¼ in. Male reducer
	1	MM101	Light-duty rack
	3	MM251	Strap complete with ¾ in. x 4 in. lag bolts
KIT-150AM	1	MM105	1½ in. entrance cap
	1	MM201	Heavy-duty rack
	1	MM505N	Flange complete with neoprene collar
	3	MM251	Strap complete with ¾ in. x 4 in. lag bolts
	1	MM150M	1½ in. Male adaptor
KIT-200AM	1	MM202	Entrance cap
	1	MM201	Heavy-duty rack
	1	MM200M	2 in. Male reducer
	1	MM505N	Flange complete with neoprene collar
	3	MM255	Strap complete with ¾ in. x 5 in. lag bolts
KIT-200AMGR	1	MM202	Entrance cap
	1	MM201	Heavy-duty rack
	1	MM200M	2 in. Male reducer
	1	MM505N	Flange complete with neoprene collar
	3	MM255	Strap complete with ¾ in. x 5 in. lag bolts
	1	MM700	Service mast ground clamp
KIT-200MH	1	MM202	Entrance cap
	1	MM201	Heavy-duty rack
	1	MM505N	Flange complete with neoprene collar
	3	MM255	Strap complete with ¾ in. x 5 in. lag bolts
	1	MH200	Mast coupler


Cat. no.	Qty.	Consists of	Description
KIT-100HDM	1	MM104	Entrance cap
	1	MM140M	1¼ in. Male reducer
	1	MM201	Heavy-duty rack
	1	MM503	Flange complete with steel collar
	3	MM255	Strap complete with ¾ in. x 5 in. lag bolts
KIT-200-PVC	1	SS401-E	Spool rack
	1	E998J	2 in. Entrance cap
	3	E977JC	2 in. Strap
	1	PH20	2 in. Hub PVC
	2	E943J	2 in. Male adaptor
	2	CI1716	2 in. Locknut
	1	E986J	2 in. LB type
	1	CIDUCT1	Duct seal
	1	UA9AJCB-UPC	2 in. PVC elbow
	KIT-200AM-CP	1	MM202
1		MM201	Spool rack
1		MM505N	Floor flange
1		MM200M	2 in. Male reducer
3		MM251	Strap complete with ¾ in. x 4 in. lag bolts
2		E943J	2 in. Male adaptor
2		CI1716	2 in. Locknut
1		E986J	2 in. Entrance cap
1		DUCT SEAL	Duct seal
1		UA9AJCB-UPC	2 in. PVC elbow
KIT-200MH-CP	1	MM202	2 in. Entrance cap
	1	MM201	Spool rack
	1	MM505N	Roof flange
	1	MH200	2 in. Mast coupler
	3	MM251	Strap complete with ¾ in. x 4 in. lag bolts
	2	E943J	2 in. Male adaptor
	2	CI1716	2 in. Locknut
	1	E986J	2 in. Entrance cap
	1	CIDUCT1	Duct seal
	1	UA9AJCB-UPC	2 in. PVC elbow




## Service masts

Mast kits suitable for Quebec and for all regions


### KIT-200-PVC – Quebec

Cat. no.	Qty.	Consists of	Description
<b>This mast kit is used in conjunction with 2 in. rigid conduit</b>			
	KIT-200-PVC	1	SS401-E Spool rack
		1	E998J 2 in. Entrance cap
		3	E977JCIM 2 in. Strap
		1	PH20 2 in. Hub PVC
		2	E943J 2 in. Male adaptor
		2	CI1716 2 in. Locknut
		1	E986J 2 in. LB type
		1	CIDUCT1 Duct seal
		1	UA9AJCB-UPC 2 in. PVC elbow


### KIT-200AM-CP – Quebec

Cat. no.	Qty.	Consists of	Description
<b>This mast kit is used in conjunction with 2 in. rigid conduit</b>			
	KIT-200AM-CP	1	MM202 2 in. Entrance cap
		1	MM201 Spool rack
		1	MM505N Roof flange
		1	MM200M 2 in. Male reducer
		3	MM251 2 in. Pipe strap (comes with lag screws)
		2	E943J 2 in. Male adaptor
		2	CI1716 2 in. Locknut
		1	E986J 2 in. Entrance cap
		1	CIDUCT1 Duct seal
		1	UA9AJCB-UPC 2 in. PVC elbow

### KIT-200MH-CP – Quebec

Cat. no.	Qty.	Consists of	Description
	KIT-200MH-CP	1	MM202 2 in. Entrance cap
		1	MM201 Spool rack
		1	MM505N Roof flange
		1	MH200 2 in. Mast coupler
		3	MM251 2 in. Pipe strap, comes with lag screws $\frac{3}{8}$ x 4 in.
		2	E943J 2 in. Male adaptor
		2	CI1716 2 in. Locknut
		1	E986J 2 in. Entrance cap
		1	CIDUCT1 Duct seal
		1	UA9AJCB-UPC 2 in. PVC elbow

### KIT-400MH – For all regions

Cat. no.	Qty.	Consists of	Description
<b>This mast kit is used in conjunction with 4 in. rigid conduit</b>			
	KIT-400MH	1	CIEFA-4 4 in. Entrance head
		1	MM801 Heavy-duty spool rack
		1	MM806N Roof flange
		1	MH40 4 in. Mast coupler
		3	CI1532 Pipe strap comes with lag screws (6) $\frac{3}{8}$ x 5 in.

## Service masts

Mast kits suitable for New Brunswick and Newfoundland

### New Brunswick

Cat. no.	Qty.	Consists of	Description
KIT-100	1	MM104	Entrance cap
	1	MM140M	1½ in. Male reducer
	3	MM251	Strap complete with ¾ in. x 4 in. lag bolts
	1	MM505N	Flange complete with neoprene collar
KIT-100NBMH	1	MM104	Entrance cap
	3	MM251	Strap complete with ¾ in. x 4 in. lag bolts
	1	MH200	Mast coupler
	1	MM505N	Flange complete with neoprene collar
KIT-200	1	MM202	Entrance cap
	1	MM200M	2 in. Male reducer
	3	MM251	Strap complete with ¾ in. x 4 in. lag bolts
	1	MM505N	Flange complete with neoprene collar
KIT-200MH	1	MM202	Entrance cap
	1	MM201	Heavy-duty spool rack
	1	MH200	Mast coupler
	3	MM255	Strap complete with ¾ in. x 5 in. lag bolts
	1	MM505N	Flange complete with neoprene collar
KIT-206NBMH	1	MM202	Entrance cap
	1	MH200	Mast coupler
	3	MM251	Strap complete with ¾ in. x 4 in. lag bolts
	1	MM506N	All-neoprene roof flange
KIT-200NBMH	1	MM202	Entrance cap
	1	MH200	Mast coupler
	3	MM251	Strap complete with ¾ in. x 4 in. lag bolts
	1	MM505N	Flange complete with neoprene collar
KIT-106NBMH	1	MM104	Entrance cap
	1	MM506N	All neoprene roof flange
	3	MM251	Strap complete with ¾ in. x 4 in. lag bolts
	1	MH200	Mast coupler

### Newfoundland

Cat. no.	Qty.	Consists of	Description
KIT-100MH	1	MH200	Mast coupler
	1	MM104	Entrance cap
	1	MM101	Light-duty spool rack
	3	MM251	Strap complete with ¾ in. x 4 in. lag bolts
	1	MM505N	Flange complete with neoprene collar
KIT-100NBMH	1	MM104	Entrance cap
	3	MM251	Strap complete with ¾ in. x 4 in. lag bolts
	1	MH200	Mast coupler
	1	MM505N	Flange complete with neoprene collar
KIT-205LDMH	1	MM202	Entrance cap
	1	MM101	Light-duty spool rack
	3	MM251	Strap complete with ¾ in. x 4 in. lag bolts
	1	MH200	Mast coupler
	1	MM505N	Flange complete with neoprene collar

## Service masts

Mast kits suitable for Nova Scotia and Prince Edward Island

### Nova Scotia

Cat. no.	Qty.	Consists of	Description
KIT-100MN	1	MM104	Entrance cap
	1	MM140M	1½ in. Male reducer
	1	MM101	Light-duty spool rack
	3	MM255	Strap complete with ¾ in. x 5 in. lag bolts
	1	MM505N	Flange complete with neoprene collar
KIT-100	1	MM104	Entrance cap
	1	MM140M	1½ in. Male reducer
	3	MM251	Strap complete with ¾ in. x 4 in. lag bolts
	1	MM505N	Flange complete with neoprene collar
KIT-100NSMH	1	MM104	Entrance cap
	4	MM251	Strap complete with ¾ in. x 4 in. lag bolts
	1	MM505N	Flange complete with neoprene collar
	1	MH200	Mast coupler
KIT-200AM	1	MM202	Entrance cap
	1	MM201	Heavy-duty spool rack
	3	MM255	Strap complete with ¾ in. x 5 in. lag bolts
	1	MM200M	2 in. Male reducer
	1	MM505N	Flange complete with neoprene collar
KIT-200	1	MM202	Entrance cap
	1	MM200M	2 in. Male reducer
	3	MM251	Strap complete with ¾ in. x 4 in. lag bolts
	1	MM505N	Flange complete with neoprene collar
KIT-200NSMH	1	MM202	Entrance cap
	1	MH200	Mast coupler
	3	MM251	Strap complete with ¾ in. x 4 in. lag bolts
	1	MM505N	Flange complete with neoprene collar

### Prince Edward Island

Cat. no.	Qty.	Consists of	Description
KIT-100MH	1	MM104	Entrance cap
	1	MM101	Light-duty spool rack
	3	MM251	Strap complete with ¾ in. x 4 in. lag bolts
	1	MM505N	Flange complete with neoprene collar
	1	MH200	Mast coupler
KIT-106NBMH	1	MM104	Entrance cap
	3	MM251	Strap complete with ¾ in. x 4 in. lag bolts
	1	MH200	Mast coupler
	1	MM506N	All-neoprene roof flange
KIT-200MH	1	MM202	Entrance cap
	1	MM201	Heavy-duty spool rack
	1	MH200	Mast coupler
	3	MM255	Strap complete with ¾ in. x 5 in. lag bolts
	1	MM505N	Flange complete with neoprene collar
KIT-200NBMH	1	MM202	Entrance cap
	1	MH200	Mast coupler
	3	MM251	Strap complete with ¾ in. x 4 in. lag bolts
	1	MM505N	Flange complete with neoprene collar
KIT-206NBMH	1	MM202	Entrance cap
	1	MH200	Mast coupler
	3	MM251	Strap complete with ¾ in. x 4 in. lag bolts
	1	MM506N	All-neoprene roof flange