

Product End-of-Life Instructions

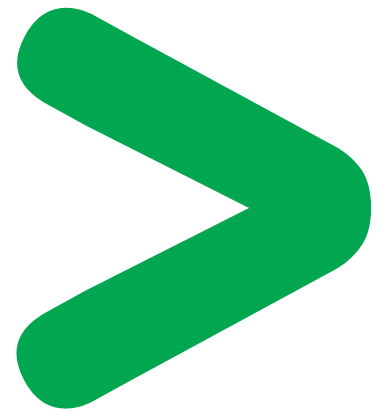
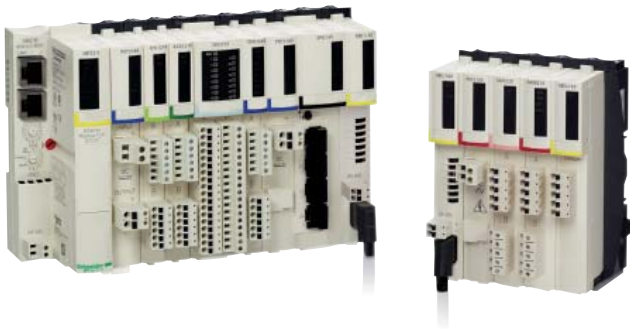
Modicon STB Distributed I/O and power modules

Product Range

Modicon STB Distributed I/O and power modules

Marketing Model

STBACI1400K, STBAVO0200K, STBACI1225K, STBACI1230K, STBACI1400, STBACI1400K, STBACO0120K, STBACO1210K, TBACO1225K, STBART0200K, STBAVI1255, STBAVI1255K, STBAVI1270, STBAVI1270K, STBAVI1275K, STBDDI3425K, STBAHI8321KC, STBDDI3420K, STBAVO1265K, STBPDT3100K, STBAVO1255K, STBCPS2111K, STBDAI7220, STBDAI7220K, STBDAO5260K, STBDAO8210K, STBDDI3230K, STBDDI3725KC, STBDDO3200K, STBDDO3230K, STBDDO3415K, STBDDO3600K, STBDDO3705, STBDDO3705KC, STBDRA3290K, STBEHC3020KC, STBDDO3605K, STBDDI3725, STBAVI1400K, STBAVI0300K, STBDDO3410K, STBPDT3105K, STBDAI5260K, STBPDT2100K, STBACI1230, STBPDT3100KC, STBDDI3725KS, STBDDO3705KS, STBART0200, STBACO0220K, STBEPI2145K, STBDR3210K, STBDDI3615K, STBACI8320K, STBACI0320K, STBPDT2105K, STBDDI3610K, STBAVO1250K, STBDAI5230K



Size in mm:

H x L x D : 75 x 128 x 18

Weight in g:

100 to 150

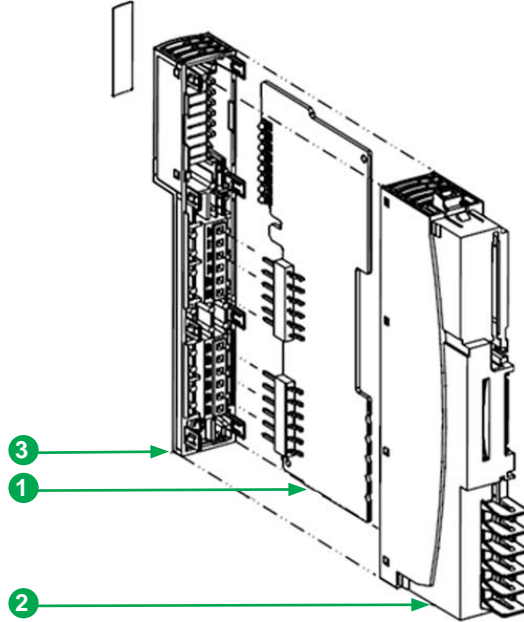


Operations recommended for the end of life treatment

There are several steps to process the products at the end of life so as to recover components, materials or energy :

Reuse ⇒ Separation for special treatment ⇒ Other Dismantling ⇒ Shredding

The components of the products that optimize the recycling performances are listed, identified and located hereunder.



Recommendation	Number on drawing	Components	Weight (g)	Comment
Depollution	①	Printed Circuit Board Assembly (PCBA)	25.4	–
Dismantling	②	Plastic housing assembly	39.0	–
	③	Plastic base assembly	20.7	–

Schneider Electric Industries SAS

35, rue Joseph Monier
CS30323
F - 92506 Rueil Malmaison Cedex

RCS Nanterre 954 503 439
Capital social 896 313 776 €
www.schneider-electric.com

The version of the Guide used to create the document: End of Life Instruction Drafting Guide of Schneider Electric version V6.

Publication : Schneider Electric