

## D-BOX, TYPE 1



### INDUSTRY STANDARDS

UL 2416 Listed; File No. E230874  
 UL 508A Listed; Type 1; File Number E61997  
 cUL Listed per CSA C22.2 No. 182.4; File No. E230874  
 Ventilation complies with UL 60950

Telcordia NEBS™ Requirements: Physical Protection, GR-63-CORE, Zone 4. Tested with 100 lb. (45.4 kg) of equipment installed. Designed in accordance with BICSI TDMM Tenth edition, Chapter 7, Telecommunication Enclosures (TE)  
 EIA 310-D  
 IEC 60529, IP40

### APPLICATION

Ideal for retail applications where it is necessary to house 19-in. network equipment in a public location, the horizontally-oriented D-BOX is a low-profile cabinet with a hinged door for convenient front access and a combination of fixed and rotating rack angles to accommodate varying equipment sizes.

### FEATURES

- Spring-loaded, self-retained hinge pins allow door removal
- Reversible door fits flush to body with no exposed corners
- Knockouts for 4-in. fan on top and bottom of enclosure
- Wiring knockouts (7/8 in., 1-3/8 in., and 3 in.) on top and bottom of enclosure. Two 3-in. cable entry knockouts on back.
- 120-degree door opening
- Multiple cable tie-down points on back of enclosure
- Quarter-turn latch with key lock

- Keyhole mounting slots spaced 16.00 in. (406 mm) on center for easy enclosure mounting
- Bosses provided for mounting accessories such as cable spools
- Self-grounding mounting angles made of 12 gauge galvanized steel
- Patch panel 4U mounting angles rotate down for access
- Flange around door opening protects interior
- Bonding provision on door
- Ground stud on body
- EIA Universal 5/8 - 5/8 - 1/2 in. vertical mounting hole pattern matches industry standards. Holes are tapped 10-32.
- Includes package of twenty 10-32 mounting screws

### SPECIFICATIONS

- Door manufactured from 14 gauge mild steel
- Body manufactured from 16 gauge mild steel

### FINISH

Pretreated steel coated with RAL 7035 light-gray textured, low-gloss polyester powder paint. Other finishes available—contact Hoffman Customer Service.

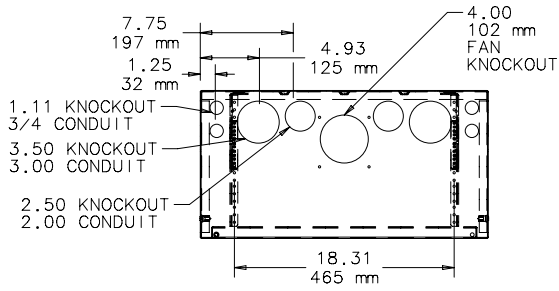
### LOAD RATING

100 lb. (45.4 kg)

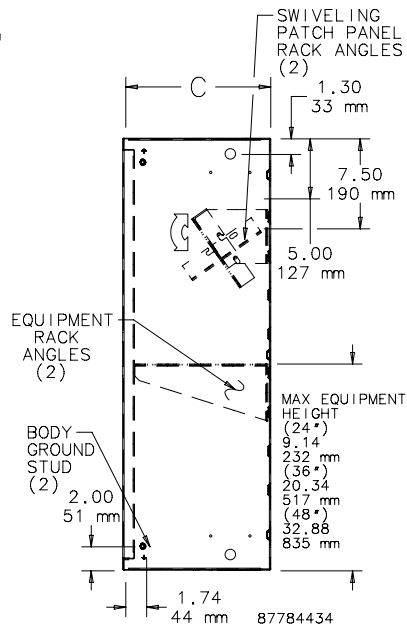
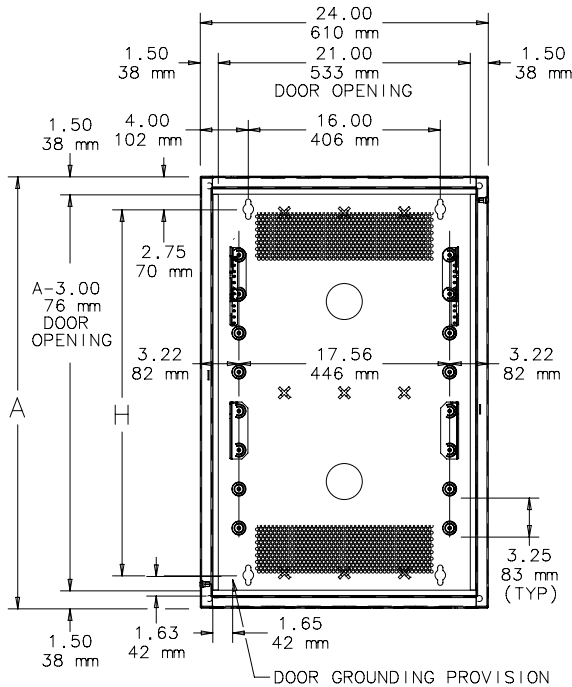
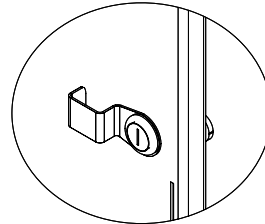
### BULLETIN: DWS1

Standard Product

Catalog Number	AxBxC in.	AxBxC mm	H (in.)	H (mm)	Rack Units
DBS24248G	24.00 x 24.00 x 8.34	610 x 610 x 212	22.00	559	4
DBS36248G	36.00 x 24.00 x 8.34	915 x 610 x 212	34.00	864	4
DBS48248G	48.00 x 24.00 x 8.34	1220 x 610 x 212	46.00	1168	4
DBS242412G	24.00 x 24.00 x 12.34	610 x 610 x 313	22.00	559	6
DBS362412G	36.00 x 24.00 x 12.34	915 x 610 x 313	34.00	864	6
DBS482412G	48.00 x 24.00 x 12.34	1220 x 610 x 313	46.00	1168	6



Field Installable Handle (Included)



**BONDING AND GROUNDING KIT**



Provides the cable and mounting hardware required to ground equipment to the door and the body of the cabinet.

BULLETIN: DWS1

Catalog Number	Description
DBGRDK	Bonding and Grounding Kit

**DUPLEX OUTLET KIT**



15 A duplex outlet is factory-mounted in three-sided, plated steel enclosure. Outlet enclosure mounts on hinge side of door in lower corner of cabinet. Mounting hardware provided.

BULLETIN: DWS1

Catalog Number	Description	Current Rating
DBDXK	Duplex Outlet Kit	15 A

**EQUIPMENT RACK ANGLES**



Fixed rack angles can be added to 36-in. and 48-in. tall cabinets for extra 19-in rack equipment mounting. Made of steel with clear zinc plating. EIA spaced holes are tapped 10-32. Mounts to raised pads on cabinet inside back with provided hardware.

BULLETIN: DWS1

Catalog Number	Description	Rack Units
DBERA4U	Equipment Rack Angles	4
DBERA6U	Equipment Rack Angles	6

**4-INCH COMPACT AXIAL FANS**



Compact Cooling Fans are ideal for applications where enclosure space is limited and quiet, reliable cooling is required. Engineered for 50,000 hours of continuous operation without lubrication or service.

BULLETIN: D85

Standard Product

Catalog Number	Description
A4AXFNPG	4-in. fan, 115VAC, 46/49CFM
A4AXFNQG	4-in. fan, Quiet, 115VAC, 85/100CFM

### FAN FILTER AND FINGER GUARD KIT



Low-density filter kit for 4-in. (102-mm) and 6-in. (152-mm) fans. Can also be used as vent. Filter is removable and can be cleaned and reused. Mounting hardware included.

BULLETIN: DTHRM, DWS1

Catalog Number	Description	Fits
AFLTR4LD	Fan Filter and Finger Guard Kit	4-in. fans
AFLTR6LD	Fan Filter and Finger Guard Kit	6-in. fans

### PADLOCK KIT



Kit includes field installable hasp and staple. Fits padlocks with maximum 5/16 in. (8mm) shackle diameter. No drilling or layout required. Includes mounting hardware.

BULLETIN: DWS1

Catalog Number	Description
DBPDLK	Padlocking Kit

### PATCH PANEL RACK ANGLES

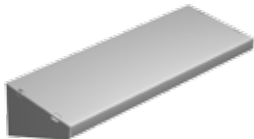


Swiveling rack angles drop 45 degrees to provide convenient access to equipment mounted on patch panels. Provide additional patch panel location in 36- and 48-in. (914- and 1219-mm) high cabinets. Made of self-grounding, plated 12 gauge steel. Mounting hardware included. Set of two.

BULLETIN: DWS1

Catalog Number	Description	Rack Units
DBPRA4U	Patch Panel Rack Angles	4

### SHELVES



Shelves provide additional storage in 36- and 48-in. (914- and 1219-mm) tall cabinets. Made of self-grounding plated 16 gauge steel. 75 lb. (34.0 kg) load rating. RAL 7035 polyester powder coat finish.

BULLETIN: DWS1

Catalog Number	Description	Length in./mm	Depth in./mm	Fits Cabinet Depth
DBSHELF8	Steel Shelf	19.05 484	7.25 184	8 in.
DBSHELF12	Steel Shelf	19.05 484	11.08 281	8 or 12 in.

### STRUT WALL-MOUNTING KIT



Provides secure mounting for cabinet. RAL 7035 polyester powder coat finish.

BULLETIN: DWS1

Catalog Number	Description	Length in./mm
DB24WMTK	Strut Wall-Mounting Kit	24.00 610