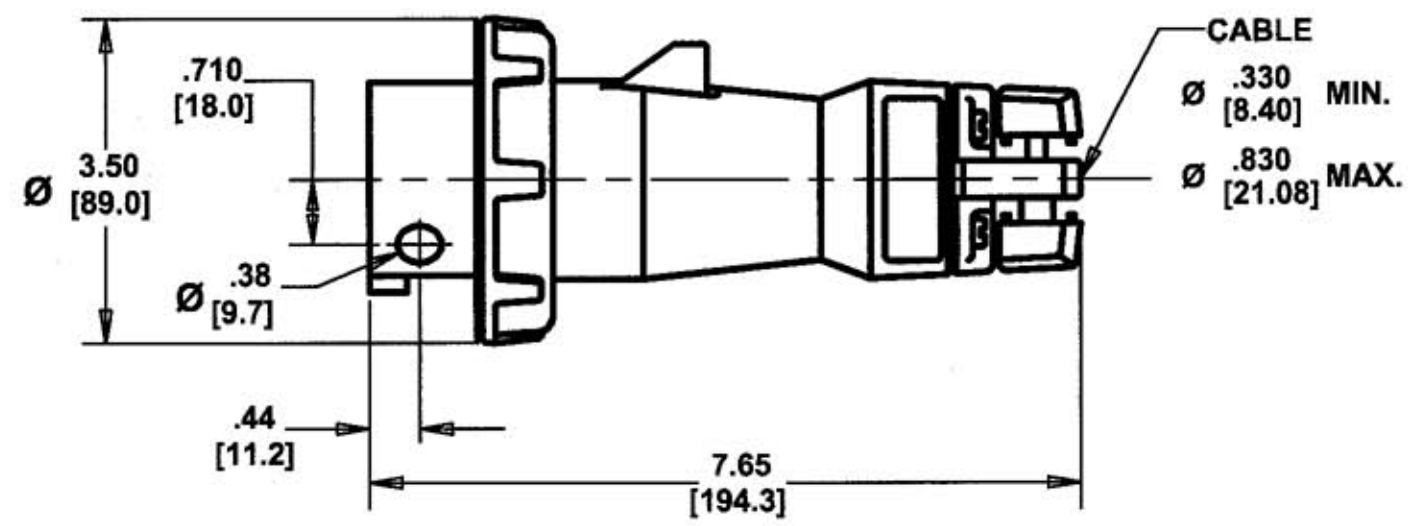
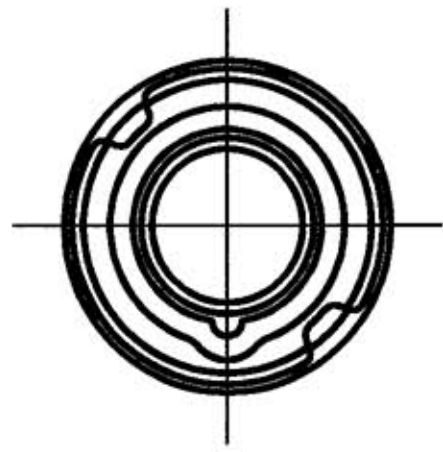


M-6083 5



LIST OF PARTS		
DESCRIPTION	MATERIAL	FINISH
HOUSING	SEE TABLE	
GASKET	NEOPRENE	
LOCK RING	POLYESTER	
INTERIOR	THERMOSET	
PINS	BRASS*	
TERMINAL SCREWS	ST. STEEL	
GLAND CAP	POLYESTER	
GLANDS	NEOPRENE	
CLAMPS	POLYESTER	
CLAMP NUTS	BRASS	NICKEL
ASSEMBLY SCREWS	ST. STEEL	

*CONTACTS NICKEL PLATED BRASS

CAT. NO.	CONFIGURATION	RATING	COMMENTS	HOUSING		CAT. NO.	CONFIGURATION	RATING	COMMENTS	HOUSING	
				MATERIAL	COLOR					MATERIAL	COLOR
HBL516P1W*		16 A		NYLON	BLUE	HBL520P7W		20 A 3ØY 277/480 VAC		NYLON	RED
						HBL520P9W		20 A 3ØY 120/208 VAC		NYLON	BLUE
HBL520P5W		20 A 3ØY 347/600 VAC		NYLON	BLACK						
HBL520P6W		20 A 3ØY 120/208VAC		NYLON	BLUE						
HBL516P6W		16A 220/380VAC 240/415 VAC			RED						

SYM	REVISIONS	APP	DATE
5	REDRAWN ON CAD WITH CHANGES. ADDED "HOUSING" AND "COMMENTS" COLUMNS TO TABLE, HOLE AND DIM.S TO VIEW, AND NOTES 1 & 2. IN TABLE, "16A" WAS "N.A."; ADDED "" TO HBL516P1W AND RATINGS TO HBL520P6W & HBL516P6W. IN LIST OF PARTS, "SEE TABLE" WAS "NYLON" AND "NEOPRENE" WAS "RUBBER" IN (2) PLACES; ADDED "" CONTACTS NICKEL PLATED BRASS". "CABLE Ø.330[8.4] MIN./Ø.830 [21.08] MAX" WAS "CABLE DIA. .550/13.97MM MIN. .870/22.09 MAX". "Ø" WAS "DIA." AND "[XX.X]" WAS "MM". SUPERSEDES DRAWING DATED 4/29/80 PER DCN #12944. JMN	DJP	6/27/06

THE DESIGN AND DIMENSIONS OF THE PRODUCT SHOWN ON THIS DRAWING ARE SUBJECT TO CHANGE WITHOUT NOTICE

TITLE
16A & 20A 4 POLE 5 WIRE PIN AND SLEEVE PLUGS

NOTES (UNLESS OTHERWISE SPECIFIED)
 1) TOLERANCES ARE:
 DECIMALS ± .03
 ANGLES ± 2°
 2) DIMENSIONS ARE: INCHES [MILLIMETERS]

TOLERANCES UNLESS OTHERWISE SPECIFIED	WIRING DEVICE—KELLEMS HUBBELL INCORPORATED BRIDGEPORT, CT	
FRACTIONS ± 1/64	DR. BY MJK	APP. BY DJP
DECIMALS ± .005	TR. BY JMN	SCALE NONE
ANGLES ± 2°	CHK'D BY DJP	DATE 6/27/06

DIMENSION SHEET FOR CAT. NO. **M-6083**
 REPAIRABLE NON-REPAIRABLE
 B
 5