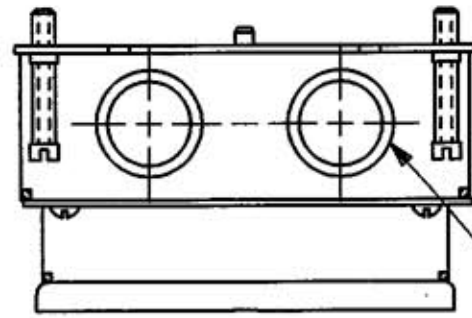


**M-8578 3**

NOTE:

1. CONCRETE COVER NOT SHOWN IN VIEWS FOR CLARITY.
2. DIM'S. INCHES [MM].
3. FLOOR BOX ADJUSTMENT: 1 1/4" BEFORE POUR  
1/2" AFTER POUR.



TWO 1/2" [12.7]  
TWO 3/4" [19.05]  
NPT TYP. KNOCKOUTS  
ON OPPOSITE SIDES.

4.81 ±.020  
[122.2±0.5]

4.36 ±.020  
[110.7±0.5]

(2) GROUND SCREW  
AND #12 WIRE

REMOVABLE  
DIVIDER

2.74 ±.020  
[74.7±2.4]

.080 THK.  
[2.03]

FOUR 3/4" [19.05]  
FOUR 1" [25.4]  
FOUR 1 1/4" [31.75]  
KNOCKOUTS

9.25 ±.020  
[234.9±0.5]

6.44 ±.020  
[163.6±0.5]

COVERFRAME  
ASSY.

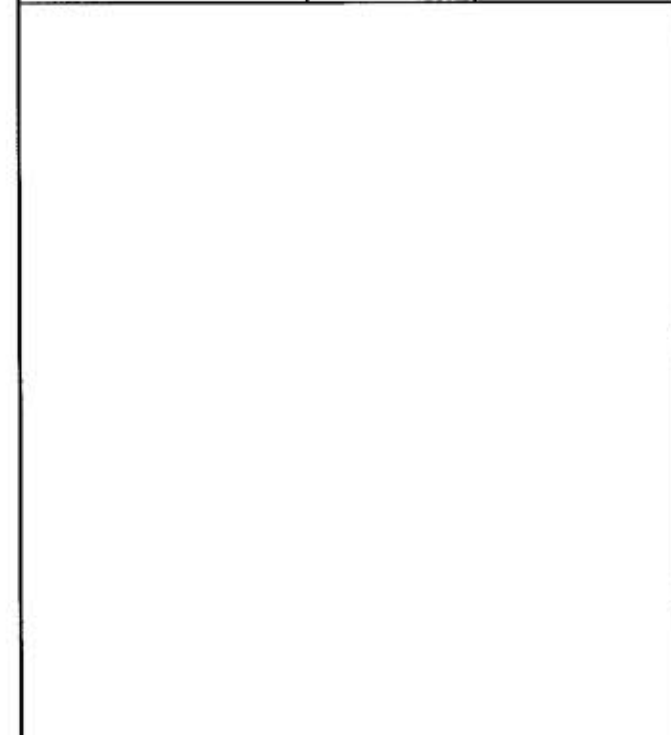
1.25" [31.8] EXTERNAL  
HEIGHT ADJUSTMENT

FOUR 1/2" [12.7]  
FOUR 3/4" [19.05]  
NPT. KNOCKOUTS ON  
OPPOSITE SIDES. CONCENTRIC.

2X 35.0 CU. IN.  
CAPACITY

.500" [12.7] INTERNAL  
FINAL ADJUSTMENT

LIST OF PARTS		
DESCRIPTION	MATERIAL	FINISH
BOX	STEEL .0625 THK	PRE-GALV.
ADJUSTING BASE	STEEL .0625 THK	PRE-GALV.
ADJUSTING COLLAR	STEEL .0625 THK	PRE-GALV.
BOX DIVIDER	STEEL .0625 THK	PRE-GALV.
COVERFRAME ASM	SEE TABLE	
LEVELING SCREW	STEEL	ZINC PL.
FL.HD. ADJ. SCREW	STEEL	ZINC PL.
RD.HD. MTG. SCREW	STEEL	ZINC PL.
FL.HD. MTG. SCREW	STEEL	ZINC PL.
GROUND SCREW & WIRE	12 AWG CU	INSULATED
CONCRETE COVER	.010 TINPLATE	



SYM	REVISIONS	APP	DATE
3	DIM 2.74 WAS 2.94 DCN#9375 PAC	TLS	3-26-02
2	CHANGE ALL KO'S TO FRACTIONS, ADD BACK VIEW, ADD NOTE 3. DCN 9086 GK/TS		11/16/01
1	INITIAL RELEASE #8865	TLS	8-9-01

THE DESIGN AND DIMENSIONS OF THE PRODUCT SHOWN ON THIS DRAWING ARE SUBJECT TO CHANGE WITHOUT NOTICE

TITLE 2 GANG SHALLOW  
STAMPED STEEL  
CONC. FLOOR BOX

CAT. NO.	COVERFRAME ASSY.
B2422	BRASS
BA2422	ALUMINUM

TOLERANCES UNLESS OTHERWISE SPECIFIED  
FRACTIONS ±1/64  
DECIMALS ±.005  
ANGLES ±2°

WIRING DEVICE-KELLEMS  
HUBBELL INCORPORATED  
BRIDGEPORT, CT  
DR. BY PAC APP. BY TLS  
TR. BY SCALE HALF  
CHK'D BY TLS DATE 8-9-01