



FL3-LED51

LED Flood Light



SPECIFICATIONS*

| | |
|---------------------------|----------------------------|
| Watts | 47 |
| Lumens | 6118 |
| Efficacy | 129.5 |
| Replaces Up To | 1000 W Quartz |
| Colour Temp | 4000K, 5000K |
| Certification | cULus, IP65, Wet Locations |
| Operating Temp | -40°C to +40°C |
| Voltage | 120-277* |
| LED Life | 100,000 hours |
| Housing Material | Die Cast Aluminum |
| Lens Material | Polycarbonate |
| Lens Type | Clear |
| Total Harmonic Distortion | 15 |
| Power Factor | 0.9 |
| CRI | 70 |
| Mounting | Knuckle, Yoke |
| Dimming | 0-10V Dimming |
| Surge Suppression | Built-In 2kV |
| Weight (lbs) | 5.1 |

*Standard



Yoke Mount

DESCRIPTION

The FL3-LED51 is our compact economy multi-purpose floodlight/sign light ideal for a variety of applications such as building facades, patios, yards, landscape lighting and storefronts.

APPLICATIONS



Building
Facades



Patios & Yards



Landscape
Lighting

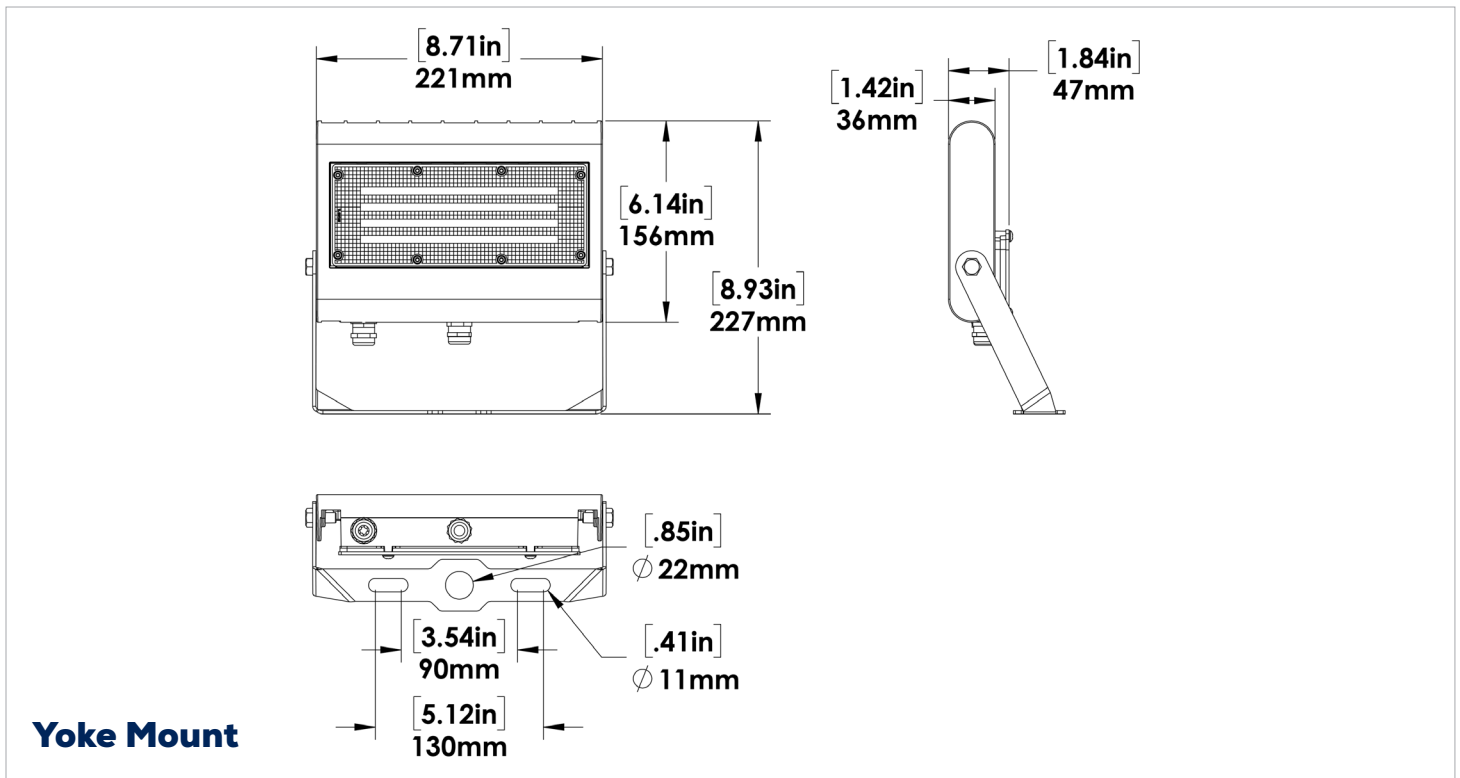
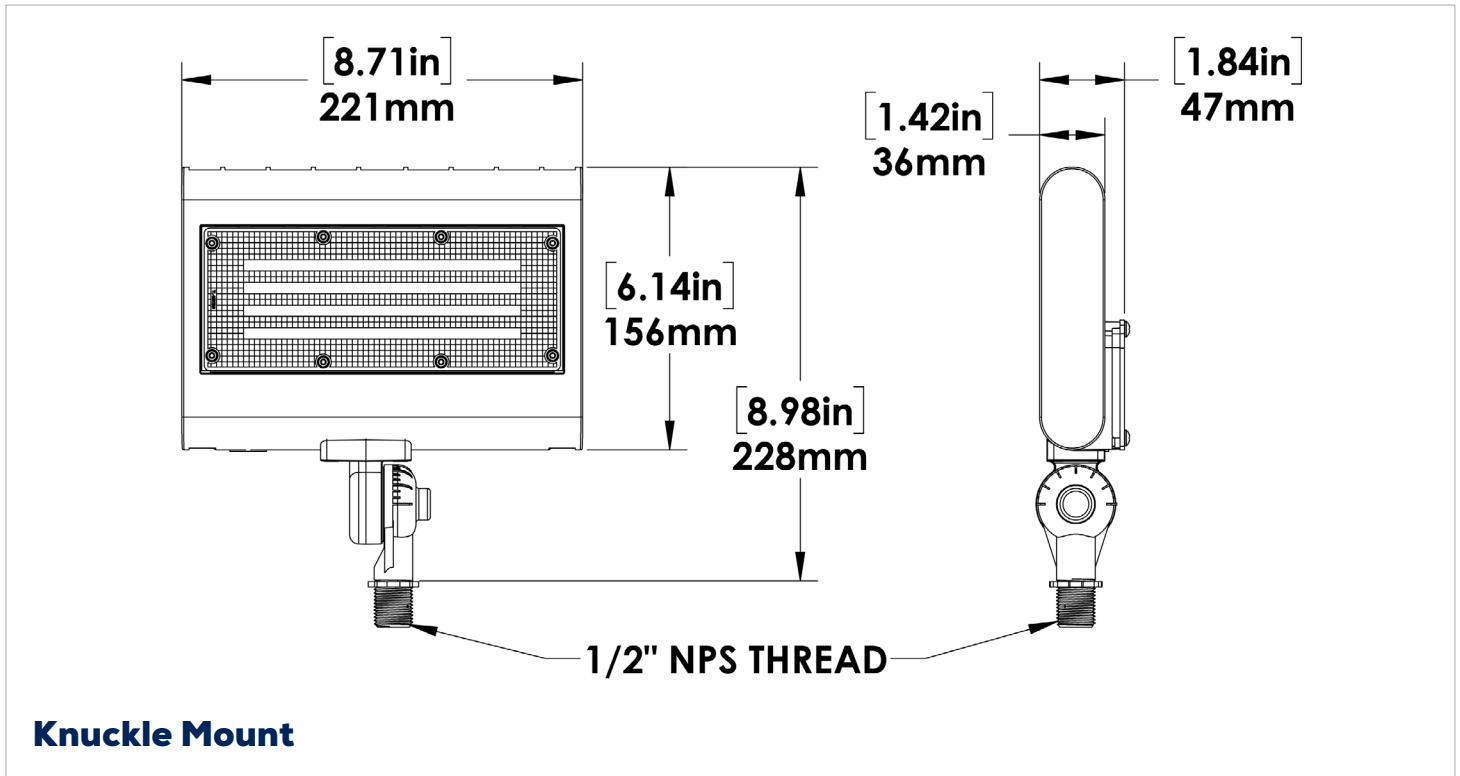


Sign Lighting

FEATURES

- Die cast aluminum housing with polycarbonate lens.
- Wide 7H X 7V beam is standard.
- Available as a knuckle or yoke mount. Also used as a sign light when combined with various arms.
- Ideal replacement for 1000W Quartz floods.
- High efficacy over 125 lumens per watt
- Knuckle mounts to standard DC100 cover (purchase separately)

DIMENSIONS



OTHER MODEL SPECIFICATIONS

| DESCRIPTION | VOLTAGE (V) | INPUT POWER (W) | LIGHT OUTPUT | EFFICACY (Lm/W) | THD | PF | CCT |
|-----------------------|-------------|-----------------|--------------|-----------------|-----|-----|------|
| FL3-LED51-B-4K-XXX-XX | 120-277V | 47 | 6118 | 129.5 | 15 | 0.9 | 4000 |
| FL3-LED51-B-5K-XXX-XX | 120-277V | 47 | 6219 | 131.6 | 15 | 0.9 | 5000 |

LEGEND

B - 120V-277V
 4K - 4000K, 5K - 5000K
 XXX - FINISH
 XX - MOUNTING

| AMPERAGE DRAW AND SURGE PROTECTION | | | | | |
|------------------------------------|------------|-------|-------|-------|-----------------------|
| | CURRENT(A) | | | | SURGE PROTECTION (kV) |
| | 120V | 208V | 240V | 277V | 120-277V |
| FL3-LED51 | 0.44A | 0.26A | 0.22A | 0.19A | 2kV |

| LUMEN MAINTENANCE | | | |
|-------------------|-----------|--------|---------|
| | 50,000 | 75,000 | 100,000 |
| | FL3-LED51 | 90% | 85% |

ORDERING GUIDE - FLOOD

| FL1 | LED16 | B | | | DIM | |
|------------|-----------------|----------------------------|-------------------------------------|-----------------------|---|--|
| WATTS | VOLTAGE | COLOUR TEMP. | FINISH | DIMMING | MOUNTING | |
| | B - 120 - 277V* | 4K - 4000K* 5K - 5000K* | BRZ - BRONZE* CC - CUSTOM FINISH | DIM - 0 -10V DIMMING* | KN - KNUCKLE MOUNT* YK - YOKE MOUNT* | |

ORDERING GUIDE - SIGN LIGHT

| FL2 | LED31 | B | | | DIM | | |
|------------|-----------------|----------------------------|-------------------------------------|-----------------------|---------------------|------------------------------|--|
| WATTS | VOLTAGE | COLOUR TEMP. | FINISH | DIMMING | MOUNTING | ARM | |
| | B - 120 - 277V* | 4K - 4000K* 5K - 5000K* | BRZ - BRONZE* CC - CUSTOM FINISH | DIM - 0 -10V DIMMING* | KN - KNUCKLE MOUNT* | ARM1 ARM2 ARM3 ARM5 | |

*Standard Configuration.