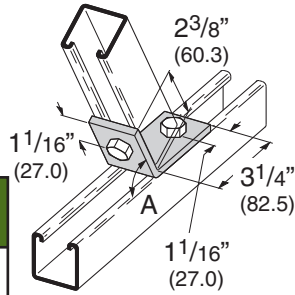


Angular Fittings

B147-B152 TWO HOLE OPEN ANGLE

- Standard finishes: ZN, GRN

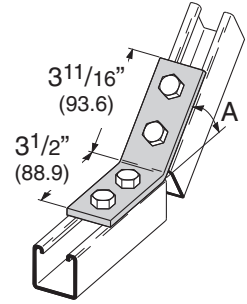
Part No.	A	Wt./C	
		Lbs.	kg
B147	82 ¹ / ₂ °	63	(28.6)
B148	75°		
B149	67 ¹ / ₂ °		
B150	60°		
B151	52 ¹ / ₂ °		
B152	37 ¹ / ₂ °		



B243-B253 FOUR HOLE OPEN ANGLE

- Standard finishes: ZN, GRN

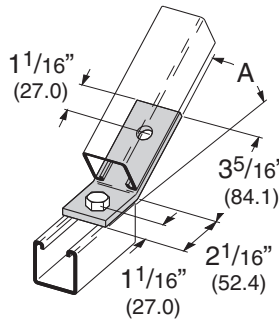
Part No.	A	Wt./C	
		Lbs.	kg
B243	7 ¹ / ₂ °	77	(34.9)
B244	15°		
B245	22 ¹ / ₂ °		
B246	30°		
B247	37 ¹ / ₂ °		
B248	45°		
B249	52 ¹ / ₂ °		
B250	60°		
B251	67 ¹ / ₂ °		
B252	75°		
B253	82 ¹ / ₂ °		



B162-B165 TWO HOLE OPEN ANGLE

- Standard finishes: ZN, GRN

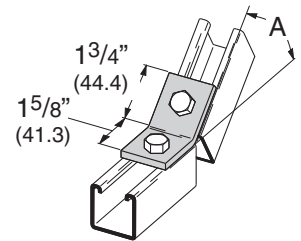
Part No.	A	Wt./C	
		Lbs.	kg
B162	30°	59	(26.7)
B163	22 ¹ / ₂ °		
B164	15°		
B165	7 ¹ / ₂ °		



B322-B332 TWO HOLE OPEN SHORT ANGLE

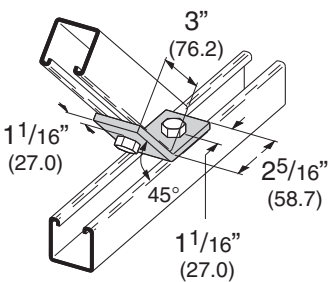
- Standard finishes: ZN, GRN

Part No.	A	Wt./C	
		Lbs.	kg
B322	7 ¹ / ₂ °	35	(15.9)
B323	15°		
B324	22 ¹ / ₂ °		
B325	30°		
B326	37 ¹ / ₂ °		
B327	45°		
B328	52 ¹ / ₂ °		
B329	60°		
B330	67 ¹ / ₂ °		
B331	75°		
B332	82 ¹ / ₂ °		



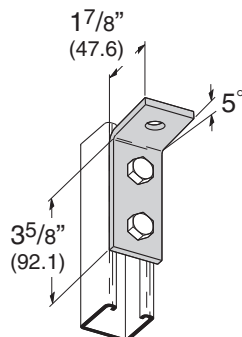
B154 TWO HOLE OPEN ANGLE

- Standard finishes: ZN, GRN, SS4
- Wt./C 58 Lbs. (26.3 kg)



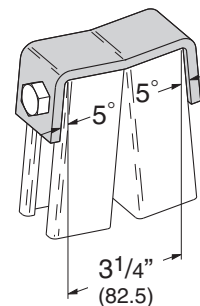
B522 THREE HOLE 95° OPEN ANGLE FITTING

- Standard finishes: ZN, GRN
- Wt./C 54 Lbs. (24.5 kg)



B488 TWO HOLE LEG CONNECTION

- Standard finishes: ZN, GRN
- Wt./C 100 Lbs. (45.3 kg)

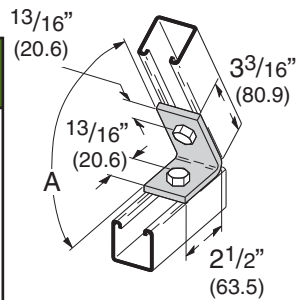


Reference page 72 for general fitting and standard finish specifications.

B156 - B161 TWO HOLE CLOSED ANGLE

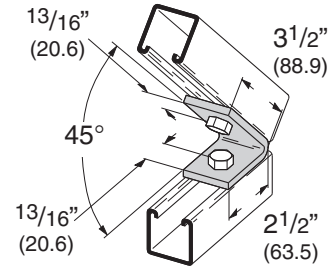
- Standard finishes: ZN, GRN

Part No.	A	Wt./C	
		Lbs.	kg
B156	82 ¹ / ₂ °	56	(25.4)
B157	75°		
B158	67 ¹ / ₂ °		
B159	60°		
B160	52 ¹ / ₂ °		
B161	37 ¹ / ₂ °		



B155 TWO HOLE CLOSED ANGLE

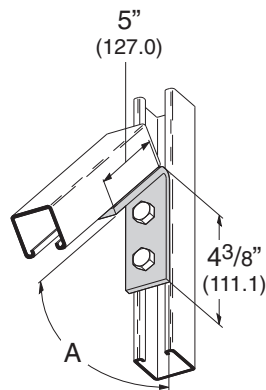
- Standard finishes: ZN, GRN, HDG, SS4
- Wt./C 63 Lbs. (28.6 kg)



B363 - B369 FOUR HOLE CLOSED ANGLE

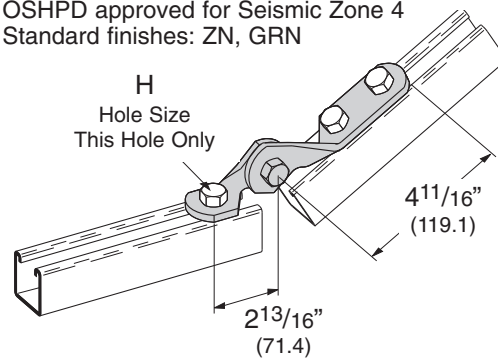
- Standard finishes: ZN, GRN

Part No.	A	Wt./C	
		Lbs.	kg
B363	82 ¹ / ₂ °	95	(43.1)
B364	75°		
B365	67 ¹ / ₂ °		
B366	60°		
B367	52 ¹ / ₂ °		
B368	45°		
B369	37 ¹ / ₂ °		



B335-2 SERIES THREE HOLE ADJUSTABLE HINGE

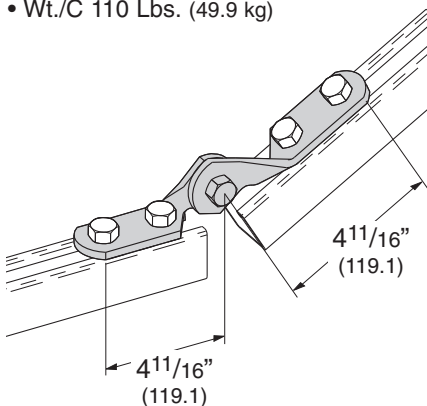
- OSHPD approved for Seismic Zone 4
- Standard finishes: ZN, GRN



Part No. & Size	Hole Size H	Wt./C	
		Lbs.	kg
B335-2-3/8	7/16" (11.1)	96	(43.2)
B335-2-1/2	9/16" (14.3)	94	(42.3)
B335-2-5/8	11/16" (17.4)	92	(41.4)
B335-2-3/4	13/16" (20.6)	90	(40.5)

B335 FOUR HOLE ADJUSTABLE HINGE

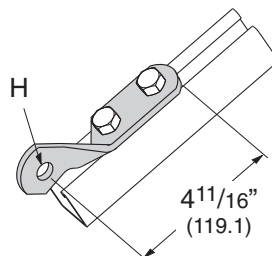
- Standard finishes: ZN, GRN
- Wt./C 110 Lbs. (49.9 kg)



B335V TWO HOLE HALF HINGE

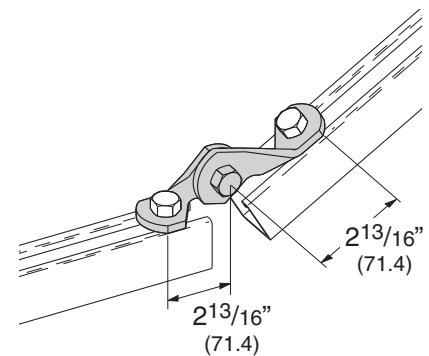
- Standard finishes: ZN, GRN

Part No. & Size	Hole Size H	Wt./C	
		Lbs.	kg
B335V-1/2	9/16" (14.3)	53	(24.1)
B335V-5/8	11/16" (17.4)	54	(24.5)
B335V-3/4	13/16" (20.6)	55	(24.9)



B335-1 TWO HOLE ADJUSTABLE HINGE

- Standard finishes: ZN, GRN
- Wt./C 78 Lbs. (35.4 kg)



Reference page 72 for general fitting and standard finish specifications.

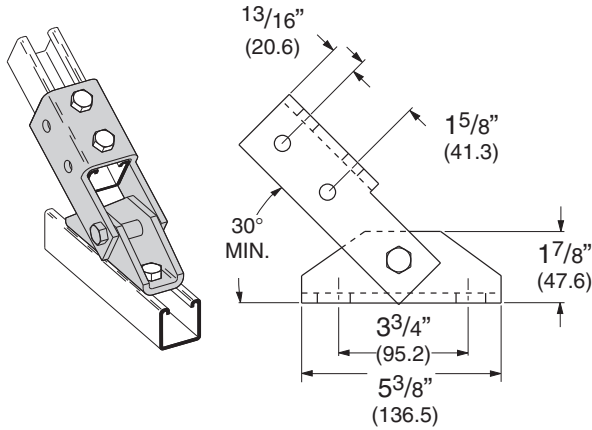


Preassembled fitting.

Angular Fittings

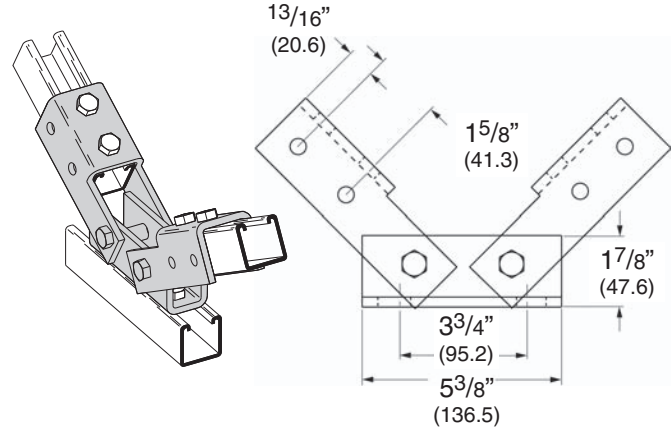
B634 SINGLE CHANNEL ADJUSTABLE BRACE

- Standard finishes: ZN, GRN
- Wt./C 306 Lbs. (138.8 kg)



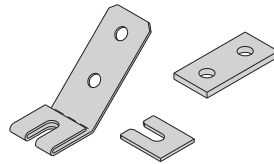
B635 DOUBLE CHANNEL ADJUSTABLE BRACE

- Standard finishes: ZN, GRN
- Wt./C 518 Lbs. (234.9 kg)

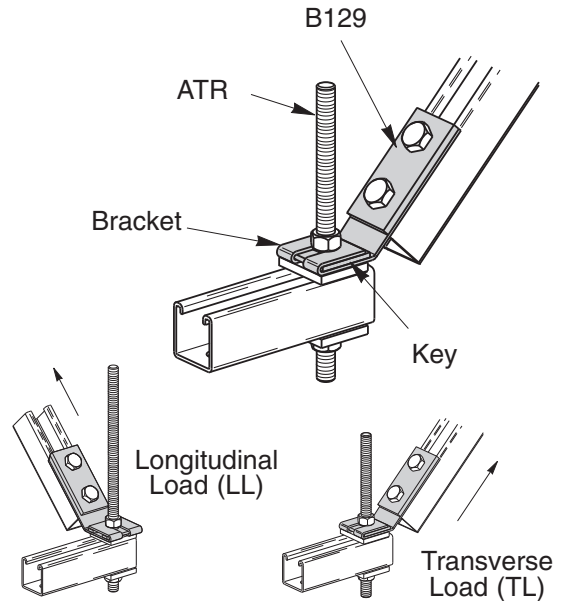


B650 SERIES SEISMIC RETROFIT BRACKET

- OSHPD approved for Seismic Zone 4.
- Available for 3/8", 1/2", 5/8", and 3/4" threaded rods.
- Allows installer to easily brace existing trapeze supports.
- Includes: Bracket, B129 plate, & key. Hardware sold separately.
- Standard finish: ZN, GRN



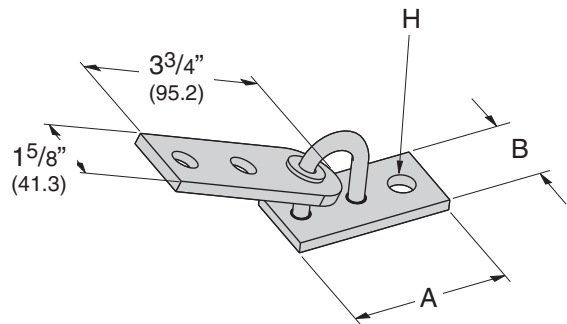
Part No. & Size	For Rod Size	TL		LL		Wt./C	
		Lbs.	kN	Lbs.	kN	Lbs.	kg
B650-3/8	3/8"	1100	(4.89)	1100	(4.89)	92	(41.4)
B650-1/2	1/2"	1500	(6.67)	1500	(6.67)	97	(43.6)
B650-5/8	5/8"	1500	(6.67)	1500	(6.67)	95	(42.7)
B650-3/4	3/4"	1500	(6.67)	1500	(6.67)	107	(48.5)



B633 ADJUSTABLE SEISMIC HINGE FITTING

- B633-1/2 thru B633-7/8 - OSHPD approved for Seismic Zone 4.
- Use 1/2" Bolt & Channel Nut on two hole side of Connector Fitting (Torque to 50 ft.-lbs.)
- Allows for swivel in two planes.
- Standard finish: ZN

Part No. & Size	A		B		Hole Size H		Wt./C	
	Lbs.	kg	Lbs.	kg	Lbs.	kg	Lbs.	kg
B633-1/2	3 1/2"	(82.5)	1 5/8"	(41.3)	9/16"	(14.3)	92	(41.4)
B633-5/8	3 1/2"	(82.5)	1 5/8"	(41.3)	1 1/16"	(17.4)	97	(43.6)
B633-3/4	3 1/2"	(82.5)	1 5/8"	(41.3)	1 3/16"	(20.6)	95	(42.7)
B633-7/8	3 9/16"	(90.5)	2"	(50.8)	1 5/16"	(23.8)	107	(48.5)
B633-1	3 9/16"	(90.5)	2"	(50.8)	1 1/16"	(27.0)	120	(54.0)
B633-1 1/8	3 9/16"	(90.5)	2"	(50.8)	1 3/16"	(30.2)	104	(47.2)
B633-1 1/4	3 7/8"	(98.4)	2 1/4"	(57.1)	1 5/16"	(33.3)	114	(51.7)



Reference page 72 for general fitting and standard finish specifications.