



Identification	Type	LRC-M1-0490 3 AC 500 V 4 kW
	Part-No.	700490

Technical data	
Function type	Motor suppression
Protection device	RC module
Nominal voltage	3 ACx500 V
Rated frequency	50–60 Hz
Motor performance	4 kW
Type of connecting lead	H05V-K 1.0 mm ²
Length of connecting lead (M)	0.22 M
Suppression type	Motor connection delta

General	
Form	M1
Pottant	2-components
Housing material	PPO
Protection class	IP 67
Field installation	with mounting hole M4 or attachable to TS 35 (EN 50022) with 2 snap-on sockets each
Termination	Fork-type cable lug M4
Operation temperature range	-20 °C – 60 °C
Storage temperature range	-40 °C – 90 °C
Dimensions (w x h x d)	15.0x70.0x48.0 mm

01.10.2012 – Subject to technical modification

Part-No. 700490

USA: LUTZE INC.

13330 South Ridge Drive • Charlotte, NC 28273, USA
 Tel. +1 (704) 504-0222 • Fax +1 (704) 504-0223
 www.lutze.com • info@lutze.com

United Kingdom: LÜTZE Ltd.

Unit 3, Sandy Hill Park
 Sandy Way, Amington • GB-Tamworth, Staffs B77 4DU
 Tel. +44 (0)1827 31333-0 • Fax +44 (0)1827 31333-2
 www.lutze.com • sales.gb@lutze.co.uk

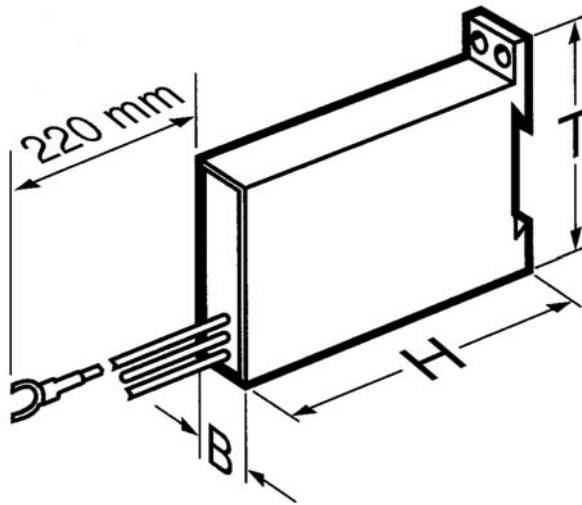


Technical data sheet • Suppression Technology

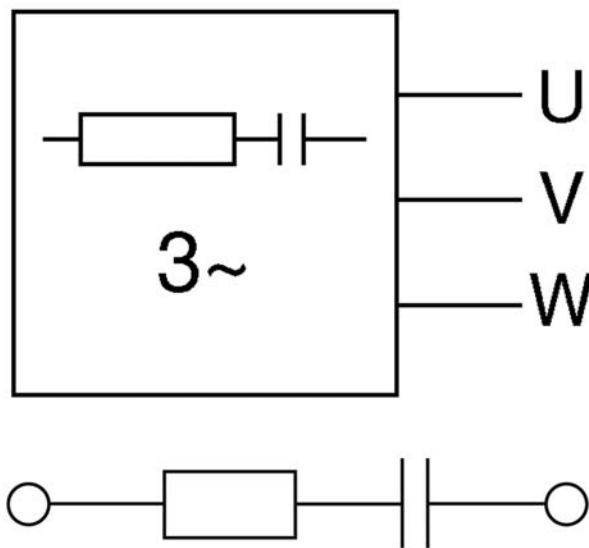
Weight (kg/piece)

0.066

Dimensions



PIN assignment



Accessories

01.10.2012 – Subject to technical modification

Part-No. 700490

USA: LUTZE INC.

13330 South Ridge Drive • Charlotte, NC 28273, USA
Tel. +1 (704) 504-0222 • Fax +1 (704) 504-0223
www.lutze.com • info@lutze.com

United Kingdom: LÜTZE Ltd.

Unit 3, Sandy Hill Park
Sandy Way, Amington • GB-Tamworth, Staffs B77 4DU
Tel. +44 (0)1827 31333-0 • Fax +44 (0)1827 31333-2
www.lutze.com • sales.gb@lutze.co.uk

Technical data sheet • Suppression Technology

Accessories	Colour	Article number	Description
Snap-on socket for hat profile TS35	700499	Socket for attaching of the suppressor module to hat profile TS35 (EN 50022) or G-rails	10

01.10.2012 – Subject to technical modification

Part-No. 700490

USA: LUTZE INC.

13330 South Ridge Drive • Charlotte, NC 28273, USA
Tel. +1 (704) 504-0222 • Fax +1 (704) 504-0223
www.lutze.com • info@lutze.com

United Kingdom: LÜTZE Ltd.

Unit 3, Sandy Hill Park
Sandy Way, Amington • GB-Tamworth, Staffs B77 4DU
Tel. +44 (0)1827 31333-0 • Fax +44 (0)1827 31333-2
www.lutze.com • sales.gb@lutze.co.uk