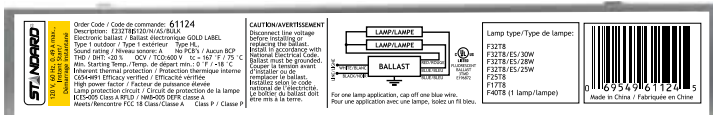


## ORDERING INFORMATION

Order code: 61124  
 Description: E232T8IS120/N/AS/BULK  
 UPC: 69549611245



## SPECIFICATIONS

<b>Ballast type:</b>	Electronic	<b>Type</b>	1 Outdoor
<b>Starting method:</b>	Instant Start (IS)	<b>Contains PCBs:</b>	No
<b>Lamp connection:</b>	Parallel	<b>Sound rating:</b>	A
<b>Input voltage (V):</b>	120V	<b>Open current voltage (OCV) (V):</b>	600
<b>Input frequency (Hz):</b>	60HZ	<b>Inherent thermal protection:</b>	Yes
<b>Max. case temperature:</b>	75 °C	<b>Lamp protection circuit:</b>	Yes
<b>Thermal protection:</b>	Class P	<b>ICES-005 Compliant:</b>	Class A RFLD
		<b>Auto-restrike:</b>	Yes



Lamp type	Number of lamps	Rated lamp watts	Min. start temp. (°F / °C)	Input current (A)	Input power (ANSI watts)	Ballast factor	Max THD (%)	Power factor	Max. lamp current crest factor	B.E.F.
<b>120 VOLTS</b>										
F32T8 (32W)	2	32	0/-18	0.49	55	0.87	10	0.98	1.7	1.58
F32T8/ES (30W)	2	30	0/-18	0.46	52	0.87	10	0.98	1.7	1.67
F32T8/ES (28W)	2	28	0/-18	0.41	48	0.87	10	0.98	1.7	1.81
F32T8/ES (25W)	2	25	0/-18	0.38	44	0.87	15	0.98	1.7	1.98
F25T8 (25W)	2	25	0/-18	0.38	49	0.90	10	0.97	1.7	1.84
F17T8 (17W)	2	17	0/-18	0.30	34	0.92	15	0.92	1.7	2.71
LED22T8 (22W)	2	22	0/-18	0.39	45	-	10	0.97	-	-
LED18T8 (18W)	2	18	0/-18	0.35	40	-	10	0.95	-	-
F32T8 (32W)	1	32	0/-18	0.30	38	1.11	15	0.92	1.7	2.92
F32T8/ES (30W)	1	30	0/-18	0.21	35	1.10	15	0.92	1.7	3.14
F32T8/ES (28W)	1	28	0/-18	0.29	32	1.10	15	0.92	1.7	3.44
F32T8/ES (25W)	1	25	0/-18	0.28	30	1.10	15	0.92	1.7	3.67
F40T8 (40W)	1	40	32/0	0.48	45	1.00	15	0.92	1.7	2.22
LED22T8 (22W)	1	22	0/-18	0.29	30	-	10	0.89	-	-
LED18T8 (18W)	1	18	0/-18	0.27	27	-	10	0.85	-	-

Note: will not work with 120 vdc.

This lighting equipment complies with Canadian standard ICES-005; for use in commercial applications.

### WARRANTY:

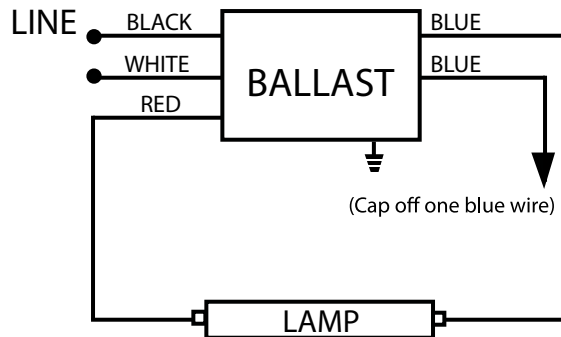
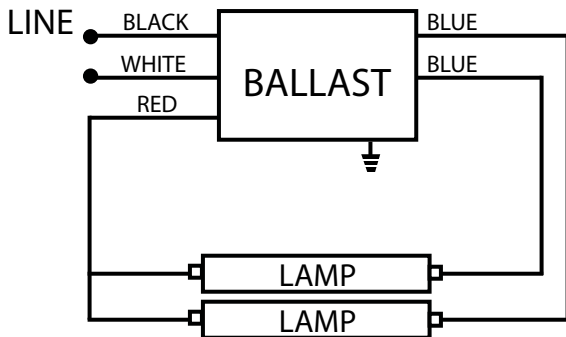
Ballast warranty of 5 years for electronic ballast 75 °C. Ballast warranty of 3 years for electronic ballast 90 °C. For more information visit our website.

Data is based upon tests performed in a controlled environment and representative of relative performance. Actual performance can vary depending on operating conditions. Specifications are subject to change without notice.  
 March 9, 2015

## ORDERING INFORMATION

Order code: 61124  
 Description: E232T8IS120/N/AS/BULK  
 UPC: 69549611245

## WIRING DIAGRAM

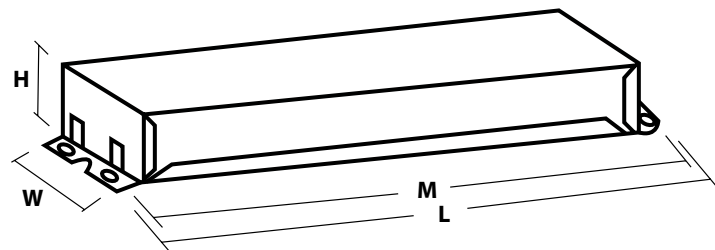


## LEADS LENGTH

Black	25.00" (63.50 cm)
White	25.00" (63.50 cm)
Blue	46.00" (116.84 cm)
Red	31.00" (78.74 cm)

## BALLAST DIMENSIONS

Length (L):	9.50" (24.13 cm)
Width (W):	1.30" (3.30 cm)
Height (H):	1.00" (2.54 cm)
Mounting (M):	8.91" (22.63 cm)



This lighting equipment complies with Canadian standard ICES-005; for use in commercial applications.

### WARRANTY:

Ballast warranty of 5 years for electronic ballast 75 °C. Ballast warranty of 3 years for electronic ballast 90 °C. For more information visit our website.

Data is based upon tests performed in a controlled environment and representative of relative performance. Actual performance can vary depending on operating conditions. Specifications are subject to change without notice.  
 March 9, 2015