

Power Cables

Catalog Number 2090-CPBM6DF-16AAxx,
 2090-CPWM6DF-16AAxx, 2090-DANPT-16Sxx,
 2090-XXNPH-16Sxx, 2090-XXNPHF-14Sxx, 2090-MCNPMP-6Sxx,
 2090-XXNPMP-8Sxx, 2090-XXNPMF-10Sxx,
 2090-XXNPMF-14Sxx, 2090-XXNPMF-16Sxx, 2090-XXNPN-16Sxx,
 2090-XXNPT-16Sxx, 2090-XXNPY-16Sxx

Topic	Page
Before You Begin	1
Cable Installation Guidelines	2
Schematics and Connector Pinouts for Power Cables	3
2090-CPBM6DF-16AAxx	3
2090-CPWM6DF-16AAxx	4
2090-DANPT-16Sxx	4
2090-MCNPMP-6Sxx, 2090-XXNPMP-8Sxx, 2090-XXNPH-16Sxx, 2090-XXNPHF-14Sxx	5
2090-XXNPMF-10Sxx	5
2090-XXNPMF-14Sxx, 2090-XXNPMF-16Sxx	6
2090-XXNPMP-10Sxx, 2090-XXNPMP-14Sxx, 2090-XXNPMP-16Sxx	6
2090-XXNPN-16Sxx	7
2090-XXNPT-16Sxx	7
2090-XXNPY-16Sxx	7

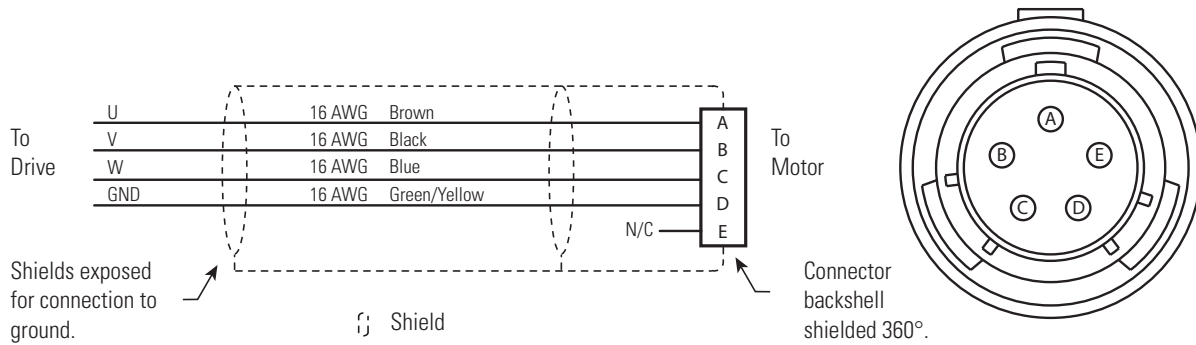
About This Publication

This publication provides cable schematics with wire color and connector pinouts for power cables used with Kinetix Motion Control products.

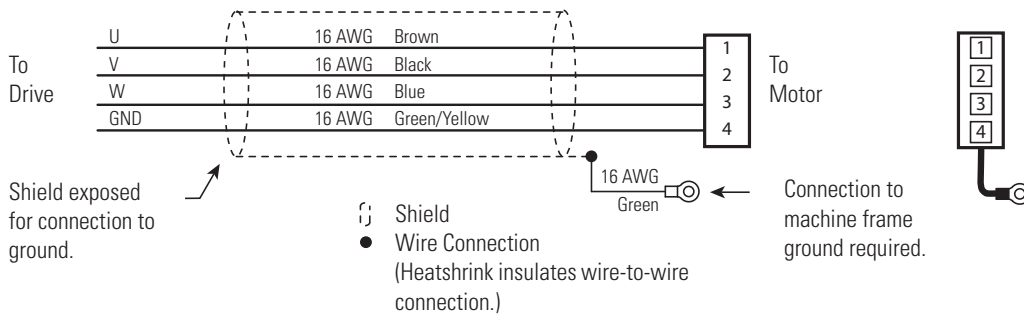
Before You Begin

The Kinetix Motion Control Selection Guide, publication GMC-SG001, contains information on cable compatibility with specific drives and motors. It also provides information on the bend offset and bend radius for each cable. Refer to your drive manual for instructions to correctly interface the cables in this document to your drive and motor combination.

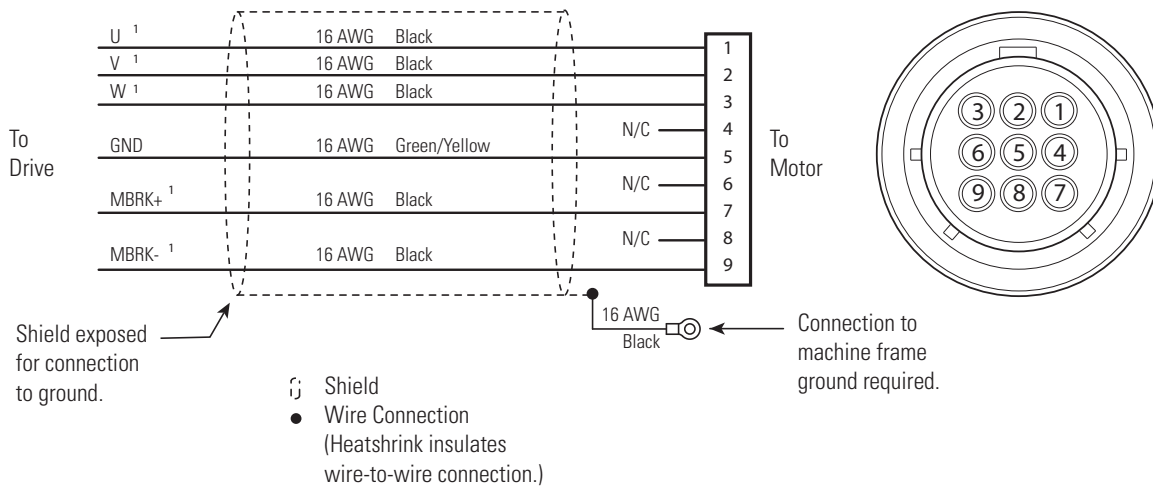
2090-XXNPN-16Sxx



2090-XXNPT-16Sxx



2090-XXNPY-16Sxx



¹ Each wire has its respective pin number printed on the wire insulation.