

Catalog Number
Notes
Type

FEATURES & SPECIFICATIONS

INTENDED USE

Ideal for a wide variety of low- to medium-height ceiling applications including commercial, retail and hospitality spaces where a baffled fixture is required.

OPTICS

Aluminum full reflectors are optically designed to maximize lumen output and to provide superior glare control. The black or white baffled reflectors have a semi-specular upper finish with white painted flange standard.

CONSTRUCTION

Galvanized steel mounting frame with mechanical trim retention (yoke) ensures secure and flush reflector mounting to ceiling. Mounting frame has cutout section for remodel applications when installation from below is necessary.

Galvanized bar hangers span up to 24" o.c. and feature built-in T-bar clips and nailers for T-bar or wood joist installation.

Frames equipped with galvanized junction box UL Listed for through wire applications.

Maximum 1-1/2" ceiling thickness.

ELECTRICAL

Electronic ballast with end of lamp life protection standard. Class P thermally protected ballast protects against improper contact with insulation. Minimum starting temperature is 0°F/-18°C.

Rated for #12 AWG conductor thru-branch wiring. Minimum 90° supply wire. Ground wire provided.

Lamp Socket Base:

DTT 4-pin lamps – 13W (G24Q-1); 18W (G24Q-2); 26W (G24Q-3)

LISTING

Fixtures are UL Listed for thru-branch wiring, Non-IC recessed mounting, damp location, and to U.S. and Canadian Safety Standards.

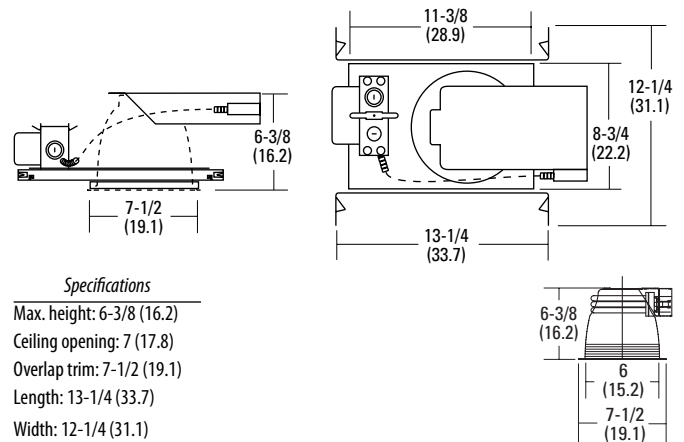
Compact Fluorescent Downlighting

6" 6HF



BAFFLE

Horizontal, 2-Lamp Double Twin-Tube (DTT)



Specifications

Max. height: 6-3/8 (16.2)

Ceiling opening: 7 (17.8)

Overlap trim: 7-1/2 (19.1)

Length: 13-1/4 (33.7)

Width: 12-1/4 (31.1)

All dimensions are inches (centimeters).

ORDERING INFORMATION

For shortest lead times, configure products using **bolded options**.

Example: 6HF 2/26DTT F6B3 MVOLT

6HF Series	Wattage/Lamp	Reflector/Color ²	Voltage	Options ⁷
6HF	2/13DTT ¹	F6B3 Black baffle	MVOLT³	ADEZ Advance Mark 10™ electronic dimming ballast, 120V or 277V. Minimum dimming level 5%. Must be voltage specific.
	2/18DTT	F6B3W White baffle	120	ADZT Advance Mark 7® electronic dimming ballast. Minimum dimming level 5%
	2/26DTT		277	ECOS Lutron EcoSystem electronic dimming ballast, 120-277V. Must be wattage-specific. Minimum dimming level 5%.
			347 ⁴	EL Emergency PSDL3 DL battery pack with integral test switch ⁵
				ELR Emergency PSDL3 DL battery pack with remote test switch ⁵
				ELRHL2LP OTA I-162 emergency battery pack with remote test switch. Operates two 26W, two 32W or two 42W CFL lamps in emergency mode with battery back-up in case of power disruption. Average output is 2,600 lumens for two 26W lamps; 2,750 lumens for two 32W lamps and 2,800 lumens for two 42W lamps. ⁶
				GMF Single slow-blow fuse, must specify voltage
				BDP Ballast disconnect plug (meets codes that require in-fixture disconnect) ⁴
				RIF1 Radio interference filter
				WLP 35K lamp (shipped separately)

Accessories: Order as separate catalog number.	
SCA6	Sloped ceiling adaptor. Degree of slope must be specified (10D, 15D, 20D, 25D, 30D) Ex: SCA6 10D.
NPP16D EFP	nLight network power/relay pack with 0-10V dimming.
NPP16D ER EFP	nLight network power/relay pack with 0-10V dimming. ER controls fixtures on emergency circuit.

Notes

- Not available with ADEZ or ECOS.
- White painted flange standard.
- Electronic multi-volt ballast capable of operating any line voltage from 120-277V, 50 or 60Hz.
- Not available with EL or ELR.
- Ships standard for 1-lamp operation. For 2-lamp operation, consult installation instructions or factory. Add 3" (7.6) to width and 4-1/2" (11.4) to length.
- Not recommended for field installation.
- For [additional options](#), see www.lithonia.com.

6" 6HF Horizontal, 2-Lamp Double Twin-Tube (DTT), Baffle

Distribution Curve	Distribution Data	Output Data	Coefficient of Utilization	Illuminance Data at 30" Above Floor for a Single Luminaire
--------------------	-------------------	-------------	----------------------------	--

6HF 2/26DTT F6B3W MVOLT, (2) Philips PL-C 26W/27SH lamp, 1.0 s/mh, 3600 rated lumens, test no. 2195072603

Distribution Curve	Distribution Data		Output Data		Coefficient of Utilization						Illuminance Data at 30" Above Floor for a Single Luminaire						
	From 0°	cp. Lumens	Zone	Lumens %lamp	rf	80%		20%		50%		50%		10%			
	0°				rc	50%	30%	50%	30%	50%	30%	Beam angle 52.2°	Beam angle				
	0°	949	0°-30°	650 18.08	1	42	41	40	39	38	38						
	5°	946	0°-40°	932 25.90	2	39	37	37	35	35	34						
	15°	878	0°-60°	1264 35.11	3	35	33	34	32	33	31						
	25°	682	0°-90°	1398 38.85	4	33	30	31	29	30	29						
	35°	447	90°-180°	0 0.00	5	30	27	29	27	28	26	8'	31.4	5.4	15.7	10.7	3.1
	45°	247	0°-180°	1398 38.85*	6	28	25	27	25	26	24	10'	16.9	7.4	8.4	14.6	1.7
	55°	148	*Total Efficiency		7	26	23	25	22	24	22	12'	10.5	9.3	5.3	18.5	1.1
	65°	83			8	24	21	23	21	23	20	14'	7.2	11.3	3.6	22.4	.7
	75°	39			9	22	19	21	19	21	19	16'	5.2	13.2	2.6	26.4	.5
	85°	7			10	20	18	20	18	20	17						
90°	0																



6HF-BAFFLE-2-DTT